

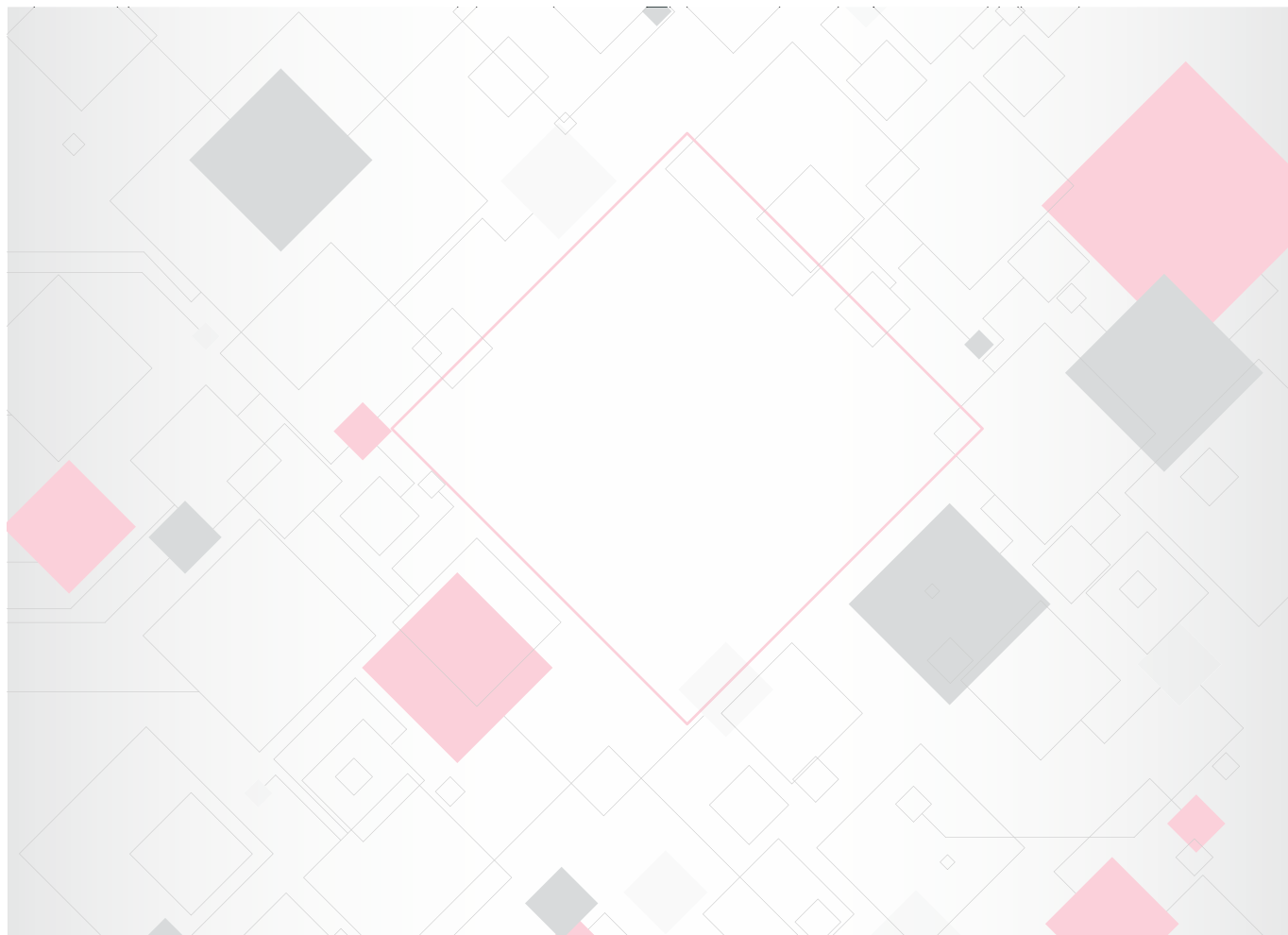
Sicherheitstechnik - Safety Technology



Produktkatalog · Product Catalogue

Inhaltsverzeichnis · Contents

1	Allgemein, Zertifikate General, Certificates
	Schaltmatten Safety mats
2	SM
3	SM11 + TS
4	SM8
	Schaltleisten Safety edges
5	SP
6	SL
7	SL NO
8	SL NC II
9	MSL
10	Safety Bumper Safety bumpers
11	Schaltgeräte Control units
12	Signalübertragungssysteme Signal transmission systems



General



EN | Product information

Mayser GmbH & Co. KG

Örlinger Straße 1-3

89073 Ulm

GERMANY

Phone: +49 731 2061-0

Fax: +49 731 2061-222

E-mail: info.ulm@mayser.com

Internet: www.mayser.com

Contents

Quality management	3
Certificates.....	4
Quality management	4
Environmental management	4
Safety mats	4
Safety edges	4
Miniature safety edges	5
Control units	5
Ultrasonic industrial sensor.....	5

Copyright

The reproduction, distribution and utilization of this document as well as the communication of its contents without express authorization are prohibited. Offenders will be held liable for the payment of damages. All rights reserved in the event of the grant of a patent, utility model or design.

© Mayser Ulm 2019

Quality management

In addition to our employees, the quality of our products is the basis for our success. We want our customers to be excited about our products and solutions. To achieve this, we offer intensive support, critically examine the requirements of our customers and generate new ideas.

In addition, Mayser strives for continuous improvement of quality – both in production and in development. This allows us to guarantee that all products, systems and solutions fulfil the quality standards and comply with the applicable standards and directives. That is also confirmed by our certifications.

We are certified by **TÜV SÜD Management Service GmbH** for the areas of

- development, construction and sales of safety technology products and electronic monitoring devices in accordance with **ISO 9001** and **ISO 14001**
- development and production of anti pinch protection systems and seat occupancy detectors and their components for the automotive industry in accordance with **IATF 16949**



Certificates

Quality management

Tip:

All certificates can be found in detailed form in the download area of our website at www.mayser.com.

Quality management system	Certificate No.
according to ISO 9001:2015	12 100 22318 TMS
according to IATF 16949:2016	12 111 22318 TMS

Environmental management

Further details can be found in the certificates: Please click on the desired certificate.

Environmental management system	Certificate No.
according to ISO 14001:2015	12 104 22318 TMS

Safety mats

Safety mat	Certificate No..
SM8	IFA 1701108 *

Safety edges

Safety edge	Certificate No.
SL NO III GP 38-2 EPDM	44 205 13 043604-001 *
SL NO III GP 58(L)-2 EPDM	44 205 13 043603-001 *
SL NO III GP 68-2 EPDM	44 205 13 043602-001 *
SL NO I GP 88 EPDM	44 205 13 043601-001 *
SL NC II according to UL 508	U8V 07 10 31146 006
SK SP 57	44 205 13043611 *
SK SP 67	44 205 13043612 *
SK SP according to UL 325	20180912-E496132

Miniature safety edges

Miniature safety edge	Certificate No.
EKS and SE 1 TPE according to UL 325	20180912-E496132

Tip:

All certificates can be found in detailed form in the download area of our website at www.mayser.com.

Control units

Control unit	Certificate No.
SG-EFS 104/4L	44 205 15176904
SG-EFS 104/4L according to UL 508	20150327-E471221
SG-EFS 104/2W	44 205 13127902

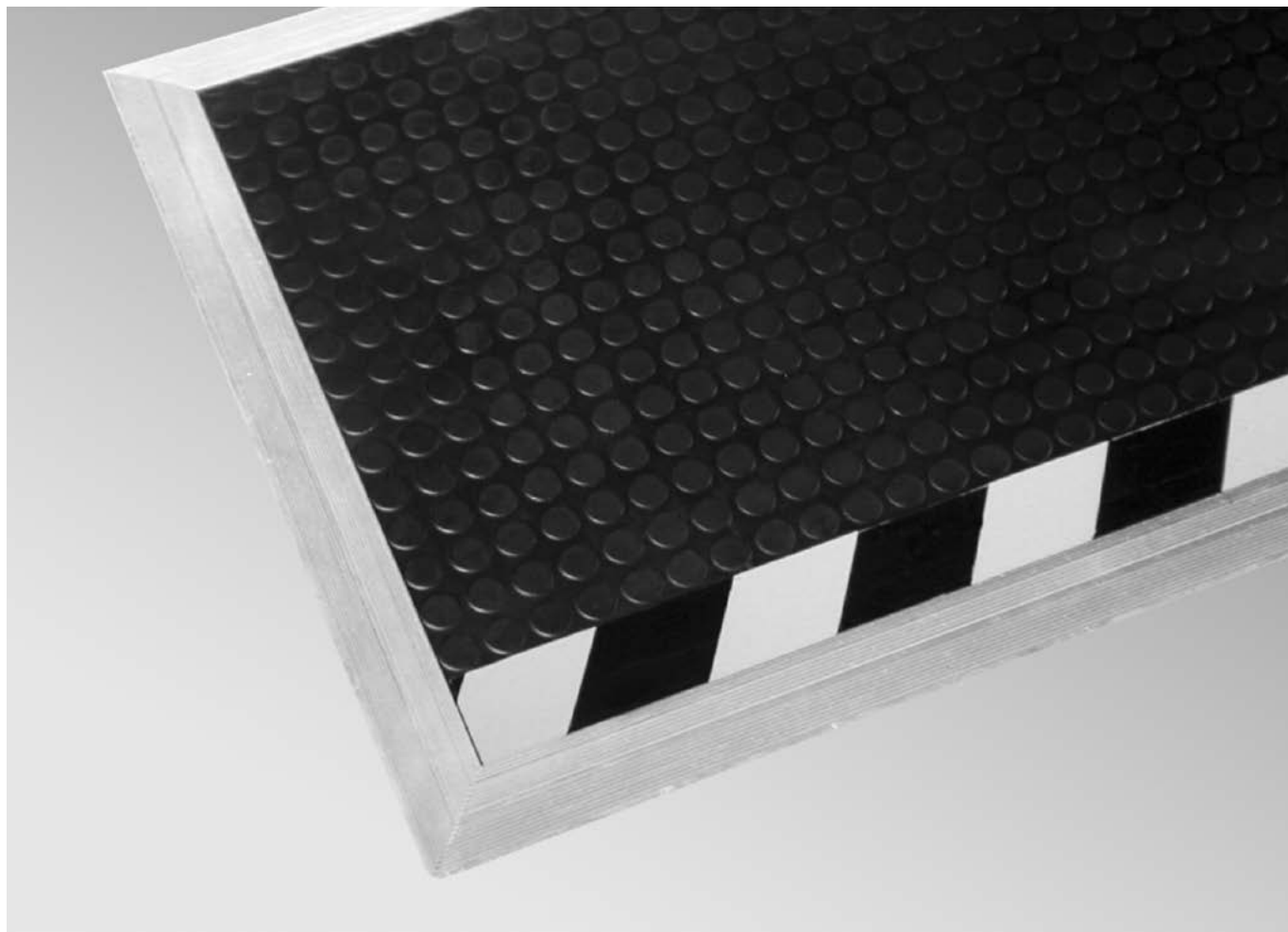
Further details can be found in the certificates: Please click on the desired certificate.

Ultrasonic industrial sensor

Ultrasonic industrial sensor	Certificate No.
USi safety	1437/1

* EC design type test certificates apply exclusively for the combinations of sensor and control unit specified therein.

[Empty page]



Safety mats SM



EN | Product information

Mayser GmbH & Co. KG

Örlinger Straße 1-3

89073 Ulm

GERMANY

Phone: +49 731 2061-0

Fax: +49 731 2061-222

E-mail: info.ulm@mayser.com

Internet: www.mayser.com

Table of contents

Definitions	3
Pressure-sensitive protection device	3
Operation principle 2-wire-technology	4
Operation principle 4-wire-technology	6
Intended use	7
Limits	7
Exclusions	7
Program selection	7
Design	8
Available sizes	8
Non-sensitive edges	9
Connection	9
Cable exit.....	9
Cable connection	10
Wire colours.....	11
Sensor surface	11
Rubber surface toppings	12
Resistances.....	12
Weight	13
Sensor attachment	14
Overview of fixing material.....	14
Ramp Edge AK 66	15
Ramp Edge AK 105 and AK 105/1	15
Underfloor Profile UP 80.....	15
Calculation of the necessary actuation area	19
Calculation examples	19
Customised designs	20
Customised shapes.....	20
Safety aspects	21
Maintenance and cleaning	21
Technical data	22
Request for quotation	23

Important information

Read through the product information carefully. It contains important information on operation, safety and maintenance of the product. Retain the product information for later reference.

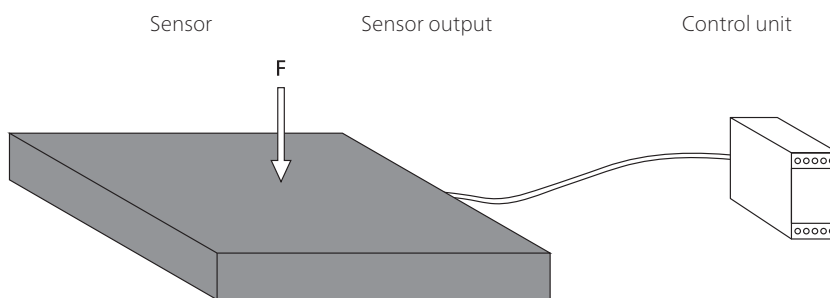
Always observe the safety instructions on the following pages under **ATTENTION**. Only use the product for the purpose described in the product information.

© Mayser Ulm 2017

Definitions

Pressure-sensitive protection device

A pressure-sensitive protection device consists of pressure-sensitive sensor(s), signal processing and output signal switching device(s). The control unit is made up of the signal processing and output signal switching device(s). The pressure-sensitive protection device is triggered when the sensor is activated.



Note:

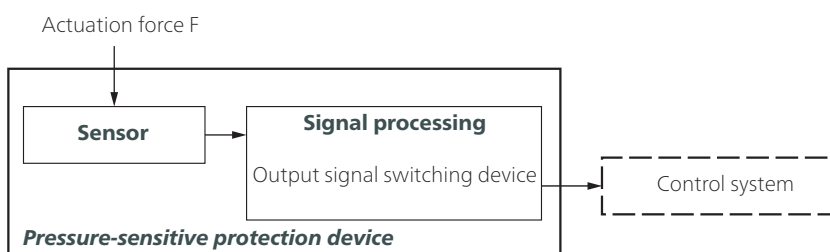
See also Chapter 3 **Terms** in ISO 13856-1.

Sensor

The sensor is the part of the pressure-sensitive protection device that generates a signal when the actuating force F is applied. Mayser safety systems have a sensor whereby the actuating surface is deformed locally.

Signal processing

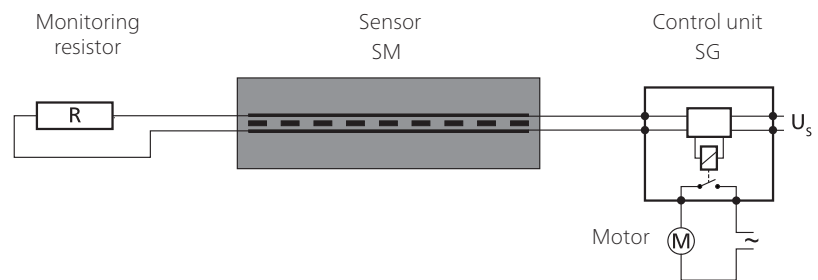
The signal processing is the part of the pressure-sensitive protection device that converts the output signal of the sensor and controls the status of the output signal switching device. The output signal switching device is that part of the signal processing which is connected to the machine controls and transmits safety output signals such as STOP.



Criteria for selecting the sensor type

- Category in accordance with ISO 13849-1
- Performance level of pressure-sensitive protection device = at least PL_r
- Temperature range
- Degree of protection in accordance with IEC 60529:
IP65 is the standard for safety mats.
Higher degree of protection must be checked individually.
- Environmental influences such as swarf, oil, coolant, outdoor use...
- Recognition of persons weighing < 35 kg necessary?

Operation principle 2-wire-technology



The monitoring resistor must be compatible with the control unit. Standard value is 1k2. 8k2 and 22k1 are also available.

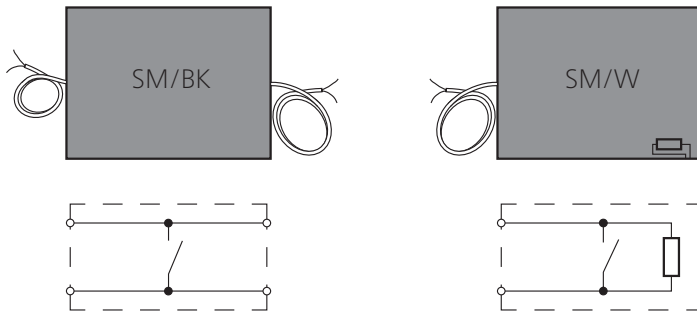
For your safety:

Sensor and connecting cables are constantly monitored for function. Monitoring is carried out by controlled bridging of the contact surfaces with a monitoring resistor (closed current principle).

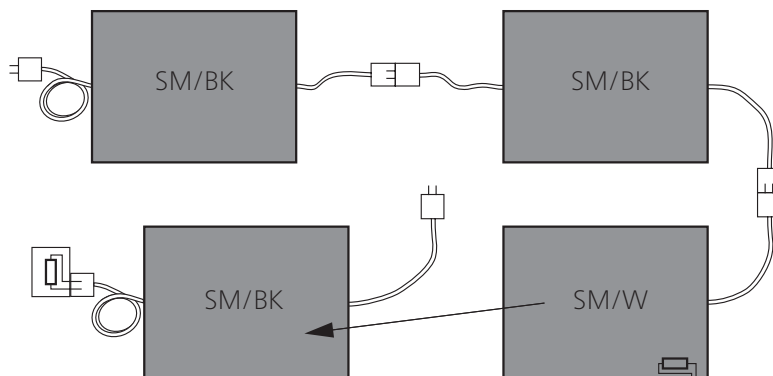
Design

SM/BK with cables on both sides as a through sensor or as an end sensor with external monitoring resistor

SM/W as an end sensor with integrated monitoring resistor



Combination of sensors



Model with external resistor, thus avoiding variety in type

Combination:

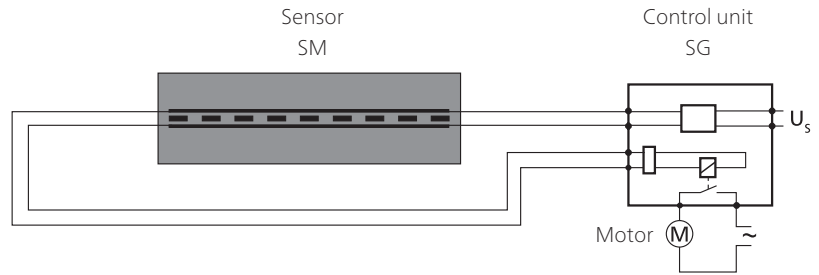
- connection of more than one sensor
- only one control unit required
- individual design of control areas with regard to size and shape

Operation principle 4-wire-technology

Unlike 2-wire technology, 4-wire-technology works **without** a monitoring resistor.

Note:

The 4-wire technology can be used only together with control unit SG-EFS 104/4L.

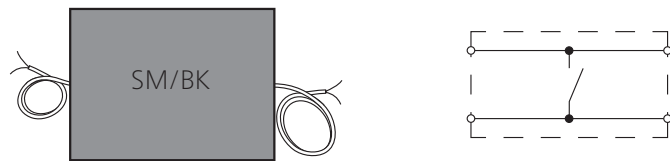


For your safety:

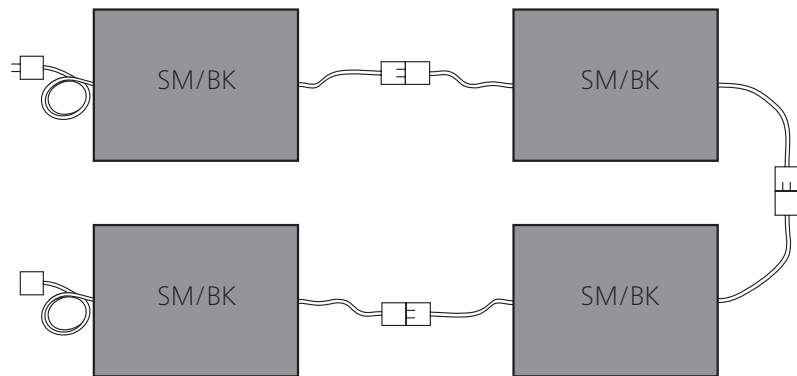
Sensor and connecting cables are constantly monitored for function. This is possible because of signal transmission feedback – without monitoring resistor.

Design

SM/BK with cables on both sides as a through sensor



Combination of sensors



Combination:

- connection of more than one sensor
- only one control unit required
- individual design of control areas with regard to size and shape

Subject to technical modifications.

Intended use

A safety mat detects a person that is standing on or stepping onto it. It is a protective device covering a certain area and monitoring the presence of a person on it as a safety function. Its purpose is to prevent possible hazardous situations for personnel within a danger zone. Typical applications are in the area of moving units on machines and plants.

Safe operation of a safety mat depends entirely on
The sensor is suitable for detection of walking aids.

- The surface condition of the mounting surface,
- the correct selection of size and resistance as well as
- correct installation.

Tip

See Annex B of ISO 13856-1, especially Figures B.1 and B.2.

Limits

- Max. 10 sensors type BK on one control unit
- Max. 9 sensors type BK and 1 sensor type W on one control unit
- System size max. 15 m²
= max. number × max. sensor size

Exclusions

Sensors are not suitable

- for detecting walking aids.
- for detecting individuals who weigh less than 20 kg.
- for navigating with industrial trucks.

Sensor combinations are not suitable

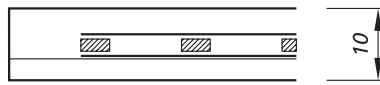
- for detecting individuals who weigh less than 35 kg.

Program selection

The safety mat SM range supplies individual solutions in terms of size and shape. Safety mats SM are highly resistant to environmental influences and normal chemicals.

If you only require sensors that meet low demands, our safety mats SM11 or safety mats TS may also be a suitable solution.

Design



Standard version

moulded on plastic plate
Degree of protection: IP65

Customised versions

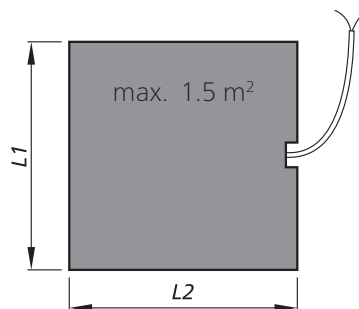
Customised versions are available for special conditions, e.g. aggressive substances (fuels, solvents etc.).

Note:

The standard version comes with a fully-bonded rubber surface topping GM1, GM4 or GM5 (see chapter *Surface toppings* and *Rubber surface toppings*).

Available sizes

Sensors are available up to a max. size of 1.5 m².
The side lengths must be within a range of 200 to 3,000 mm.



L1: cable side
L2: not cable side

$$L1 \times L2 \leq 1.5 \text{ m}^2$$

The cable exit on safety mats can be on the wide or the narrow side.

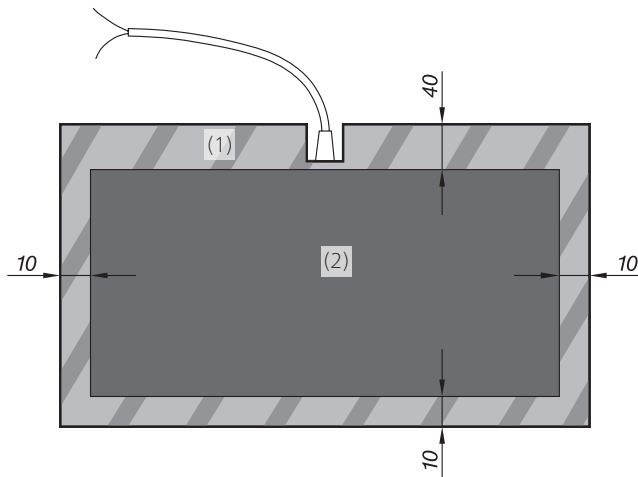
According to ISO 13855, the minimum depth to the danger zone must be taken into account (see Chapter *Calculation of the necessary actuation area*).

The non-sensitive edges must be taken into account (see Chapter *Non-sensitive edges*).

Non-sensitive edges

A non-sensitive edge (1) surrounds the effective actuation area (2):

- 40 mm = on cable exit side
- 10 mm = on remaining three sides



Note

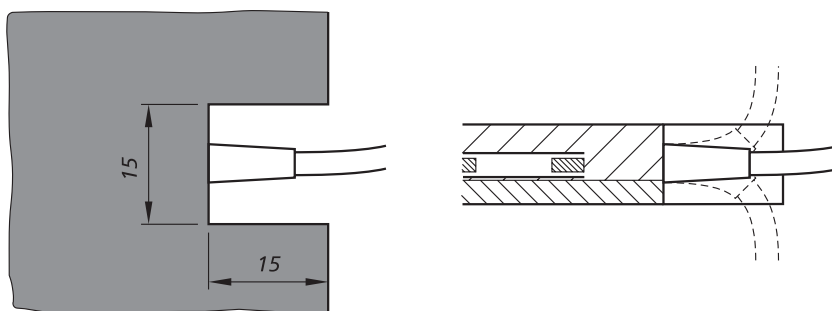
With a combination of sensors, only the sides with an edge area of 10 mm may be placed together.

Connection

Cable exit

The multifunctional cutout also allows the cable to be laid upwards or downwards.

The cable exit is in the middle of the mat side.



Cable connection

ATTENTION

The maximum overall cable length up to signal processing is 100 m.

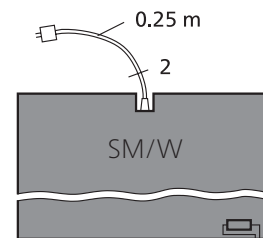
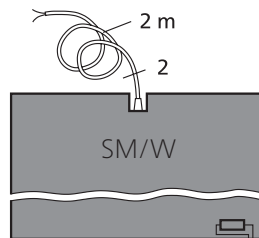
Without plug (standard)

- Universally applicable
- Variable cable length

With plug

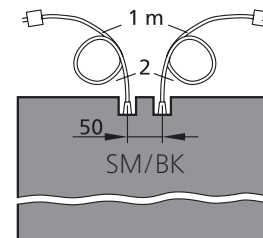
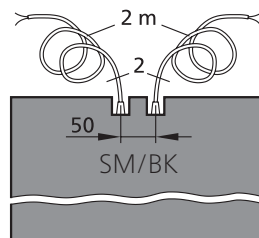
- Service-friendly
- Easy assembly
- Safe connection
- Watertight plug connection possible

Sensor type W



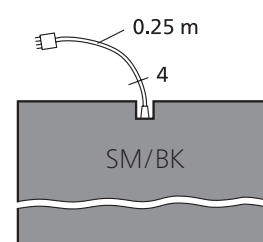
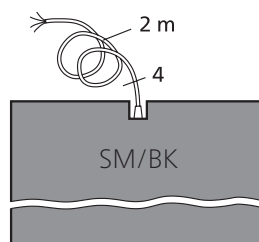
- As an individual sensor type W or an end sensor type W
- Integrated resistor
- 2-wire cable (\varnothing 5 mm; $2 \times 0.5 \text{ mm}^2 \text{ Cu}$)

Sensor type BK with 2 lines



- As a feed-through sensor type BK
- Without resistor
- 2 two-wire cables (\varnothing 5 mm; $2 \times 0.5 \text{ mm}^2 \text{ Cu}$)

Sensor type BK with 1 line



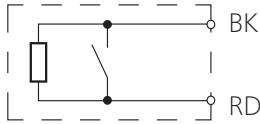
- As a feed-through sensor type BK
- Without resistor
- 4-wire cable (\varnothing 5 mm; $4 \times 0.34 \text{ mm}^2 \text{ Cu}$)

Subject to technical modifications.

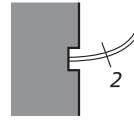
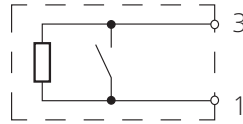
Wire colours

Without plug (standard)

Sensor type W



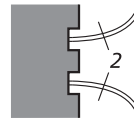
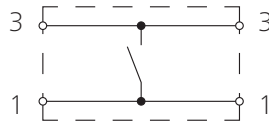
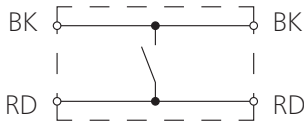
With plug (M8)



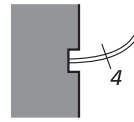
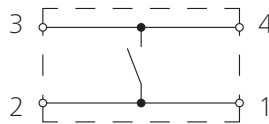
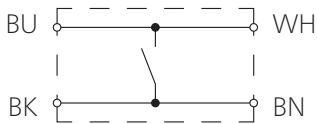
Colour coding

RD Red	BK Black
BU Blue	BN Brown
WH White	

Sensor type BK with 2 lines



Sensor type BK with 1 line

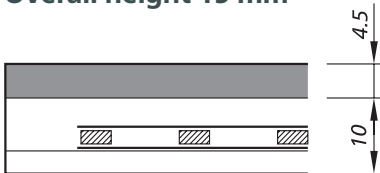


Sensor surface

A rubber surface topping provides a non-slip surface and mechanical protection.

The toppings are bonded in the factory.

Overall height 15 mm



GM 1 or GM 4

Sensor

Overall height 19 mm



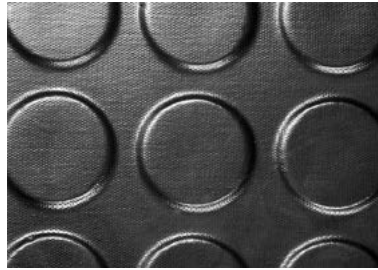
GM 5

Sensor

150917 v3.00

Subject to technical modifications.

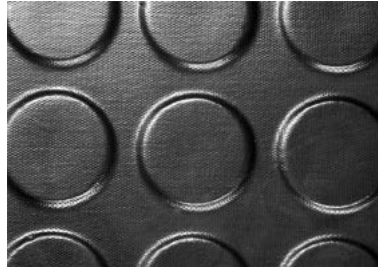
Rubber surface toppings



GM 1 SBR

Round nap topping, black
Round nap topping, yellow

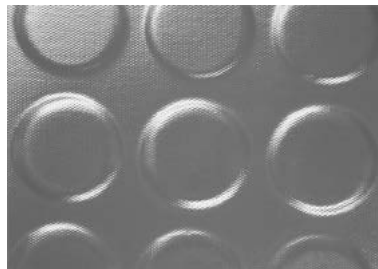
Thickness: 4.5 mm ± 0.5
Max. size: 1.0 m x 10 m
1.2 m x 10 m



GM 4 NBR

Round nap topping, black
Round nap topping, yellow

Thickness: 4.5 mm ± 0.5
Max. size: 1.0 m x 10 m
1.2 m x 10 m



GM 5 NBR

Round nap topping, green
with high mechanical strength

Thickness: 9 mm ± 0.5
Max. size: 1.2 m x 10 m

Resistances

The condition for the resistances listed in the following (at room temperature 23 °C) is a sensor with a rubber surface topping adhered over the entire area and with an undamaged surface.

Physical resistance

Rubber surface topping	GM 1	GM 4	GM 5
IEC 60529: Degree of protection	IP65	IP65	IP65
DIN 53516: Abrasion	120 mg	120 mg	120 mg
Static load (up to 8 h)	800 N/cm ²	800 N/cm ²	1200 N/cm ²
DIN 4102: Behaviour in fire	B2	B2	B2
Smouldering tobacco products	+	+	+
DIN 5510: Flammability class	S3	S3	S3
Stress when subjected to climate changes	+	+	+
UV-resistance	+	+	+

Explanation of symbols:

+ = resistant

Subject to technical modifications.

Chemical resistance

The sensor is resistant against normal chemical influences such as diluted acids and alkalis as well as alcohol over an exposure period of 24 hrs.

The values in the table are results of tests carried out in our laboratory. The suitability of our products for your special area of application must always be verified with your own practical tests.

Rubber surface topping	GM 1	GM 4	GM 5
Acetone	+	+	+
Ammonia	+	+	+
Brake fluid	-	±	±
Cutting emulsion	-	±	±
Acetic acid	±	±	±
Greases	±	+	+
Caustic potash solution	+	+	+
Cooling lubricant	-	+	+
Metal working oil	-	+	+
Methyl alcohol	±	±	±
Sodium hydroxide	+	+	+
Cellulose thinner	±	±	±
Hydrochloric acid 10 %	±	+	+
Suds	+	+	+
White spirit (ethyl alcohol)	+	+	+
Water	+	+	+
Petroleum ether/ petrol	-	+	+
Citric acid	+	+	+
Drawing compound	-	±	±

Explanation of symbols:

- + = resistant
- ± = resistant to a certain extent
- = not resistant

Note:

Tests are carried out at room temperature (+23 °C).

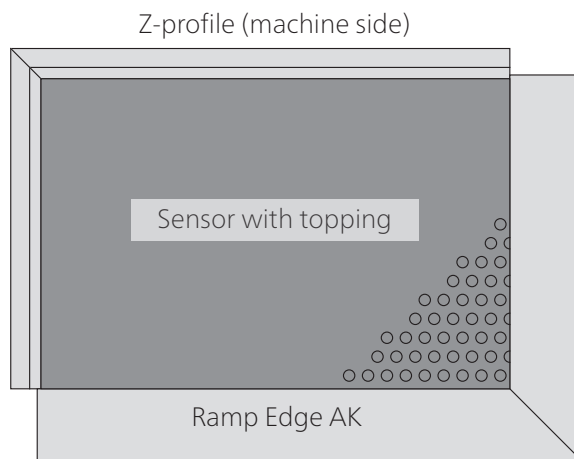
Weight

Sensor with variable rubber surface topping GM and cable without plug.

SM without GM	11.4 kg/m ²
SM with GM 1	17.4 kg/m ²
SM with GM 4	17.4 kg/m ²
SM with GM 5	24.0 kg/m ²

Sensor attachment

Ramp edges can be installed quickly and easily.

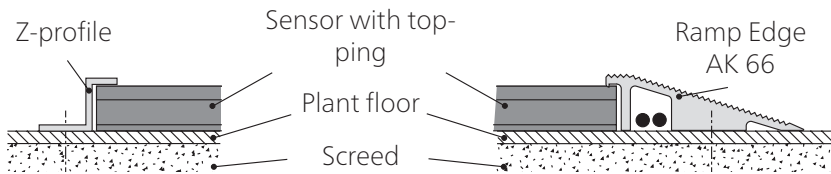


Overview of fixing material

Sensor	Sensor height	Fixing material	See page
SM with GM 1 SM with GM 4	15 mm	Z-profile	16
		AK 66	16
		AK 105	17
		UP 80	18
SM with GM 5	19 mm	Z/1-profile	16
		AK 105/1	17

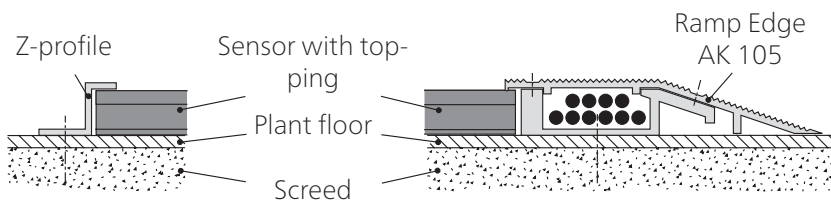
Subject to technical modifications.

Ramp Edge AK 66



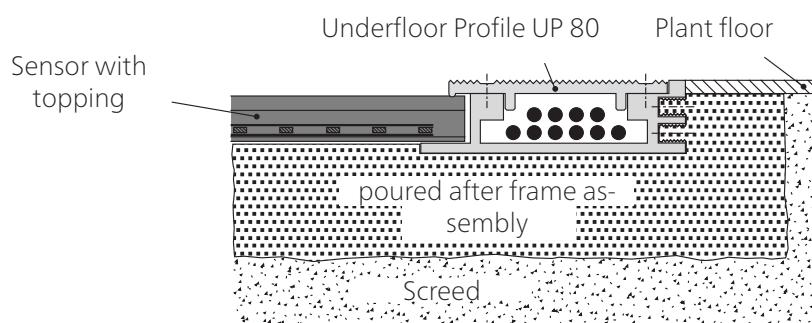
- Not suitable for plug-in cable connections
 - Cable conduit for max. 2 cables
- For dimensions, see page 16.

Ramp Edge AK 105 and AK 105/1



- Suitable for plug-in cable connections
 - Cable conduit for max. 10 cables
- Ramp Edge AK 105/1 only for sensors with GM 5 surface topping.
For dimensions, see page 17.

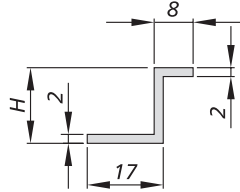
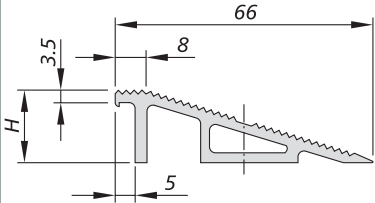
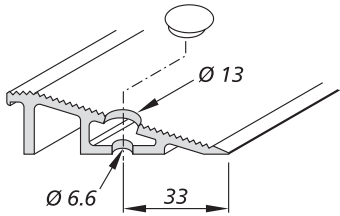

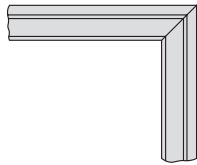
Underfloor Profile UP 80



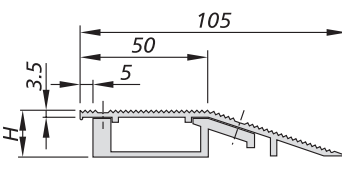
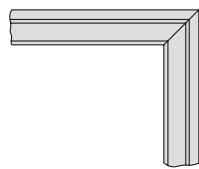
- Suitable for plug-in cable connections
 - Cable conduit for max. 10 cables
- For dimensions, see page 18.

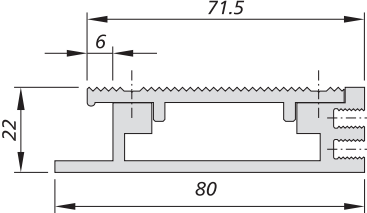
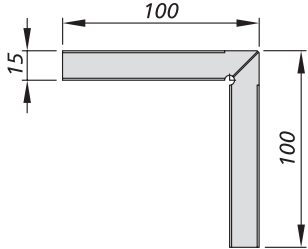
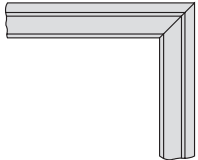
150917 v3.00

Subject to technical modifications.

<p>Aluminium Z- and aluminium Z/1-profile</p> <ul style="list-style-type: none"> • Edging at the machine or wall side • Aluminium Z-profile for sensor with GM 1 and GM 4: H = 17.0mm • Aluminium Z/1-profile for sensor with GM 5: H = 21.0mm • Aluminium Z-profile: Rod, 3 m (7500054), Rod, 6 m (1000011) or fixed length • Aluminium Z/1-profile: Rod, 3 m (7500738), Rod, 6 m (1001478) or fixed length 	
<p>Aluminium Ramp Edge AK 66</p> <ul style="list-style-type: none"> • 1-part with cable conduit • Combination of sensors up to max. 2 sensors • Sensor without plug • Aluminium Ramp Edge for sensors with GM 1 und GM 4: H = 18.7mm • Rod, 3 m (7500053), Rod, 6 m (1000008) or fixed length 	
<p>Threaded hole for AK 66</p> <ul style="list-style-type: none"> • For fixing aluminium Ramp Edge AK 66 	
<p>Stopper</p> <ul style="list-style-type: none"> • Closes threaded hole (1000615) 	
<p>Mitre cut</p> <ul style="list-style-type: none"> • For corner connections 	

Subject to technical modifications.

<p>Aluminium Ramp Edge AK 105 and AK 105/1</p> <ul style="list-style-type: none"> • 2-part with cable conduit • For combination of sensors • Sensors with or without plugs • Aluminium Ramp Edge AK 105 for sensors with GM 1 und GM 4: H = 17.5mm • Aluminium Ramp Edge AK 105/1 for sensors with GM 5: H = 21.0mm • Aluminium Ramp Edge AK 105: Rod, 3 m upper and lower sections (7500052), Rod, 6 m upper section (1000009), Rod, 6 m lower section (1000010), or fixed length • Aluminium Ramp Edge AK 105/1: Rod, 3 m upper and lower sections (7500224), Rod, 6 m upper sections (1000992), Rod, 6 m lower sections (1000010), or fixed length 	
<p>Mitre cut</p> <ul style="list-style-type: none"> • For corner connections 	

<p>Aluminium Underfloor Profile UP 80</p> <ul style="list-style-type: none"> • Edge profile with top cover • For installation flush with the floor • For individual sensor or a combination of sensors • Sensors with or without plugs • For GM 1 and GM 4 • Rod, 3 m upper and lower sections (7500134), Rod, 6 m upper section (1000025), Rod, 6 m lower section (1000026), or fixed length 	
<p>UP corner connection section</p> <ul style="list-style-type: none"> • For corner connection of the UP profiles when installing (1000599) 	
<p>Mitre cut</p> <ul style="list-style-type: none"> • For corner connections 	

Subject to technical modifications.

Calculation of the necessary actuation area

area

In accordance with ISO 13855, the necessary effective actuation area in relation to the danger area is calculated with the following:

$$S = (K \times T) + C \quad \text{where:} \quad K = 1600 \text{ mm/s}$$

$$T = t_1 + t_2$$

$$C = 1200 \text{ mm} - 0.4H$$

With installation at floor level

$H = 0$; hence:

$$S = (1600 \text{ mm/s} \times T) + 1200 \text{ mm}$$

With installation on a step

$H \neq 0$; hence:

$$S = (1600 \text{ mm/s} \times T) + (1200 \text{ mm} - 0.4H)$$

S = Minimum distance between the danger zone and the furthest edge of the sensor [mm]

K = Approximation parameters [mm/s]

T = Follow-through of the complete system [s]

t_1 = Response time of the protective device

t_2 = Stopping time of the machine

C = Safety tolerance [mm]

H = Step height [mm]

Calculation examples

Example 1

A safety mat detects non-permitted access to the danger zone of an automated movement. The mat is installed flush to the floor, i.e. $H = 0$.

The follow-through time of the movement is 300 ms, the response time of the protective device is 18 ms.

$$S = (1600 \text{ mm/s} \times (300 \text{ ms} + 18 \text{ ms})) + 1200 \text{ mm}$$

$$S = 509 \text{ mm} + 1200 \text{ mm}$$

$$S = 1709 \text{ mm}$$

Example 2

The same conditions as Example 1, however, a step with a height of 150 mm must be negotiated to the danger zone.

$$S = (1600 \text{ mm/s} \times (300 \text{ ms} + 18 \text{ ms})) + (1200 - (0.4 \times 150)) \text{ mm}$$

$$S = (1600 \text{ mm/s} \times 0.318 \text{ s}) + (1200 - 60) \text{ mm}$$

$$S = 509 \text{ mm} + 1140 \text{ mm}$$

$$S = 1649 \text{ mm}$$

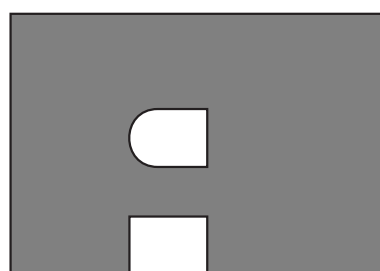
Customised designs

Customised shapes



e.g. different corner shapes

Different shapes such as circles, circle segments, trapeze shapes etc. are possible.



e.g. cut-outs

Mats can be ready-manufactured with cut-outs, e.g. for machine feet, switch cabinets etc.

Safety aspects

Without reset function

When a safeguard without reset function is used (automatic reset), the reset function must be made available in some other way.

Performance Level (PL)

The PL was determined during a simplified procedure according to ISO 13849-1.

Fault exclusion according to ISO 13849-2 Table D.8: Non-closing of contact by pressure-sensitive equipment according to ISO 13856. In this case, the sensor will no longer be taken into account in determining the PL. The overall system safety mat (pressure-sensitive protection device) can reach a maximum of PL d.

Is the safeguard appropriate?

The PL required for the hazard must be decided by the integrator. This is followed by the choice of safeguard.

Finally, the integrator needs to check whether the category and PL of the safeguard chosen are appropriate.

Maintenance and cleaning

The sensor is maintenance-free.

The control unit also monitors the sensor.

Regular inspection

Depending on the load, the sensors are to be tested at regular intervals (at least monthly)

- for correct functioning: by activation or by applying the relevant test sample.
- for damage: by visual checking.

Cleaning

If necessary, clean the sensor with a mild cleaning agent.

Technical data

Safety mat:	SM/W with SG-EFS 1X4 ZK2/1	SM/BK with SG-EFS 104/4L
Testing basis:	ISO 13856-1	
Switching characteristics at $v_{\text{test}} = 250 \text{ mm/s}$		
Switching operations at 0.1 A	$> 4 \times 10^6$	
Actuation forces		
Test piece (cylinder) $\varnothing 11 \text{ mm}$	$< 300 \text{ N}$	
Test piece (cylinder) $\varnothing 80 \text{ mm}$	$< 300 \text{ N}$	
Test piece (cylinder) $\varnothing 200 \text{ mm}$	$< 600 \text{ N}$	
Response time with Control Unit	18 ms	38 ms
Safety classifications		
ISO 13856: Reset function	with/without	with/without
ISO 13849-1:2015	category 3 PL d	category 3 PL d
MTTF _D (Pressure-sensitive protection device)	246 a	65 a
MTTF _D (sensor)	1142 a	1142 a
B _{10D} (sensor)	6×10^6	6×10^6
n _{op} (acceptance)	52560/a	52560/a
Mechanical operating conditions		
Sensor size	max. 1.5 m ²	
Side length (min./max.)	200 mm / 3000 mm	
Cable length (min./max.)	10 cm / 200 m	
Static load (up to 8 h)	max. 800 N/cm ²	
Driving on with industrial trucks	not suitable	
IEC 60529: Degree of protection	IP65	
max. humidity (23 °C)	95% (non-condensing)	
Operating temperature		
individual sensor	+5 to +55 °C	
combination of sensors	-5 to +55 °C	
Storage temperature	-20 to +55 °C	
Electrical operating conditions		
Connection cable	$\varnothing 5.0 \text{ mm PVC } 2 \times 0.5 \text{ mm}^2 \text{ or } 4 \times 0.34 \text{ mm}^2$	
Sensor	DC 24 V / max. 10 mA	
Number of sensors type BK	max. 10 in series	
Dimensional tolerances		
Length dimension	ISO 2768-c	
Perpendicularity	ISO 2768-c	

Request for quotation

Submitted by

Company _____

Department _____

Surname, first name _____

P.O. Box _____

Postcode _____

Town/city _____

Street _____

Postcode _____

Town/city _____

Phone _____

Fax _____

E-mail _____

Fax:**+49 731 2061-222****Area of application**(e.g. metalworking, textile machines, timber processing, tube drawing,
local public transport, ...)⬇ Please do not write ⬇
in this column!

For internal notes only

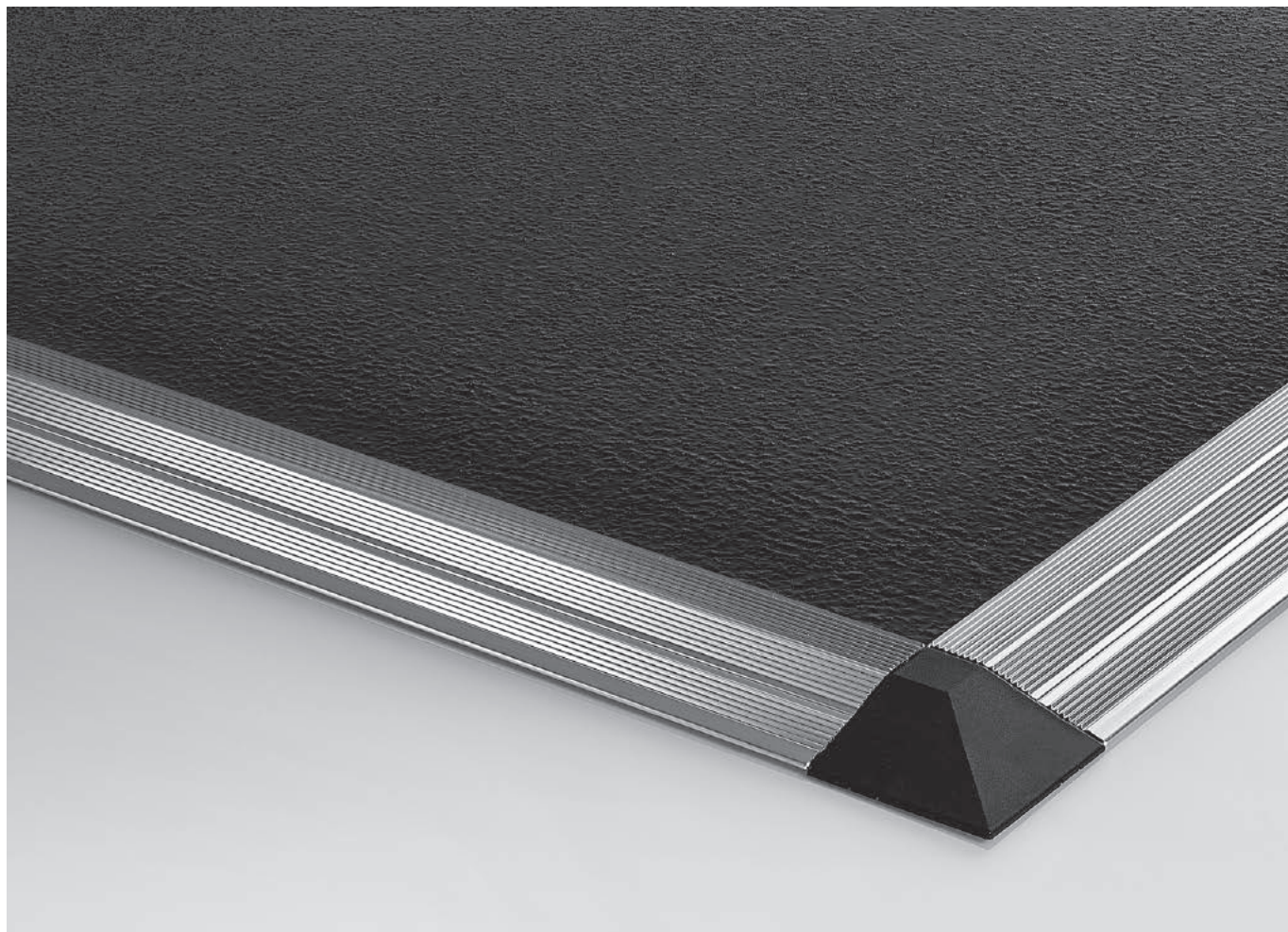
Environmental conditions Dry Water Oil Aggressive

substances:

 Coolant, type: _____ Solvent, type: _____ Other: _____ Room temperature Other: from _____ °C to _____ °C**Mechanical conditions** Only adults Also children Falling objects with ___ kg maximum weight Vehicles with _____ kg maximum weight Vehicle type: _____**Area to be secured:**

(Diagram incl. edge profiles and cable routing)

[Empty page]



Safety mats SM11



EN | Product information

Mayser GmbH & Co. KG

Örlinger Straße 1-3

89073 Ulm

GERMANY

Phone: +49 731 2061-0

Fax: +49 731 2061-222

E-mail: info.ulm@mayser.com

Internet: www.mayser.com

Content

Definitions	3
Pressure-sensitive protection device	3
Operation principle 2-wire-technology	4
Operation principle 4-wire-technology	5
Intended use	6
Limits	6
Exclusions	7
Program selection	7
Design	7
Available sizes	8
Non-sensitive edges	8
Connection	9
Cable exit.....	9
Cable connection	9
Wire colours.....	10
Sensor cover	10
Resistances.....	10
Sensor attachment	12
Ramp edge AK 56	12
Cable conduit AP 45.....	12
Ramp edge AK 51	12
Calculation of the necessary actuation area	15
Calculation examples	15
Safety aspects	16
Maintenance and cleaning	16
Technical data	17
Request for quotation	18

Important information

Read through the product information carefully. It contains important information on operation, safety and maintenance of the product. Retain the product information for later reference.

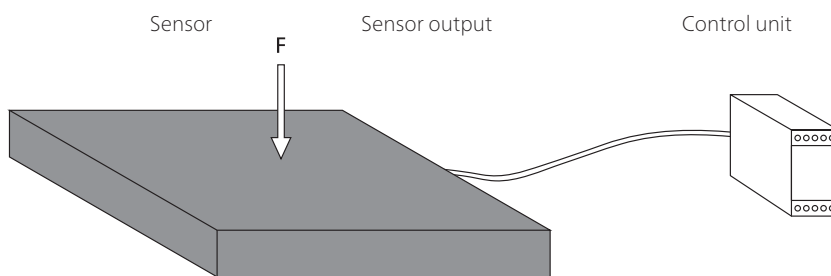
Always observe the safety instructions on the following pages under **ATTENTION**. Only use the product for the purpose described in the product information.

© Mayser Ulm 2017

Definitions

Pressure-sensitive protection device

A pressure-sensitive protection device consists of pressure-sensitive sensor(s), signal processing and output signal switching device(s). The control unit is made up of the signal processing and output signal switching device(s). The pressure-sensitive protection device is triggered when the sensor is activated.



Note:

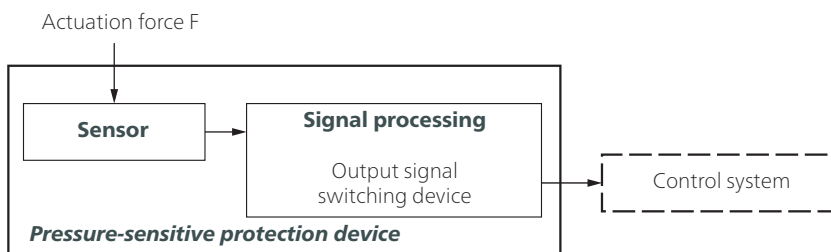
See also Chapter 3 **Terms** in ISO 13856-1.

Sensor

The sensor is the part of the pressure-sensitive protection device that generates a signal when the actuating force F is applied. Mayser safety systems have a sensor whereby the actuating surface is deformed locally.

Signal processing

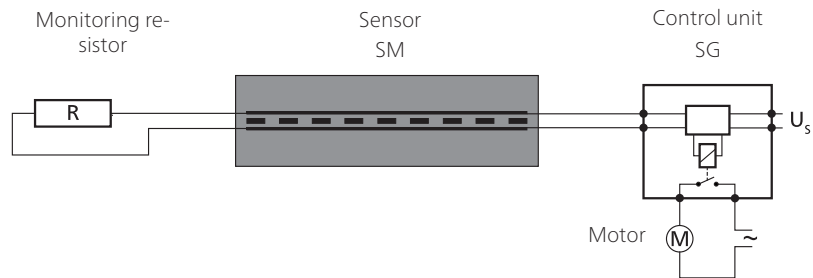
The signal processing is the part of the pressure-sensitive protection device that converts the output signal of the sensor and controls the status of the output signal switching device. The output signal switching device is that part of the signal processing which is connected to the machine controls and transmits safety output signals such as STOP.



Criteria for selecting the sensor type

- Category in accordance with ISO 13849-1
- Performance level of pressure-sensitive protection device = at least PL_r
- Temperature range
- Degree of protection in accordance with IEC 60529:
IP65 is the standard for safety mats.
Higher degree of protection must be checked individually.
- Environmental influences such as swarf, oil, coolant, outdoor use...
- Recognition of persons weighing < 35 kg necessary?

Operation principle 2-wire-technology



The monitoring resistor must be compatible with the control unit. Standard value is 1k Ω . 8k Ω and 22k Ω are also available.

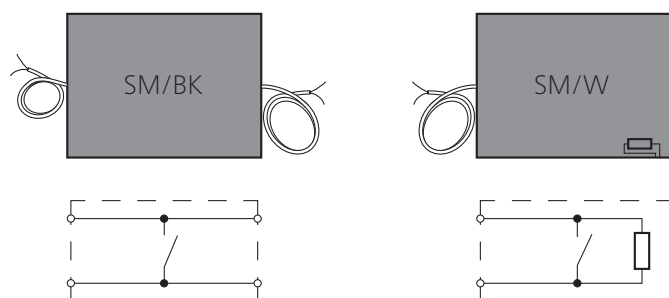
For your safety:

Sensor and connecting cables are constantly monitored for function. Monitoring is carried out by controlled bridging of the contact surfaces with a monitoring resistor (closed current principle).

Design

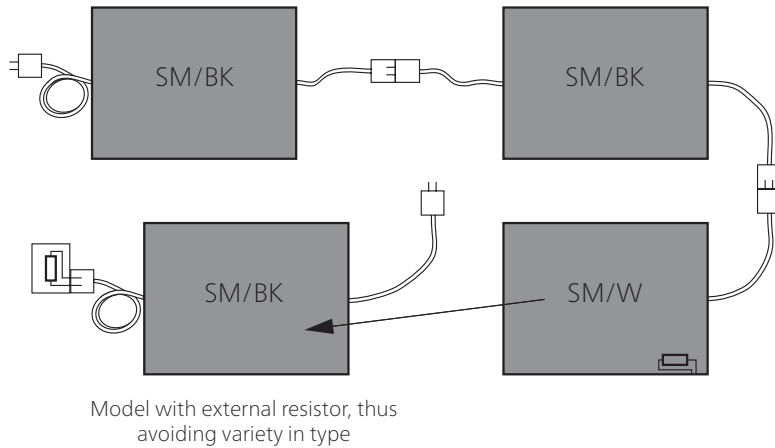
SM/BK with cables on both sides as a through sensor or as an end sensor with external monitoring resistor

SM/W as an end sensor with integrated monitoring resistor



Subject to technical modifications.

Combination of sensors

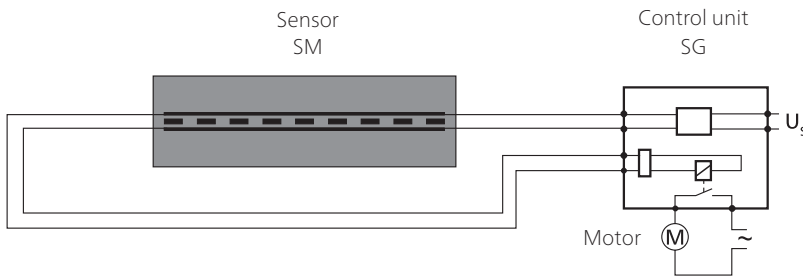


Combination:

- connection of more than one sensor
- only one control unit required
- individual design of control areas with regard to size and shape

Operation principle 4-wire-technology

Unlike 2-wire technology, 4-wire-technology works **without** a monitoring resistor.



Note:

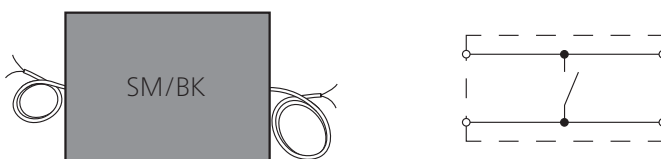
The 4-wire technology can be used only together with control unit SG-EFS 104/4L.

For your safety:

Sensor and connecting cables are constantly monitored for function. This is possible because of signal transmission feedback – without monitoring resistor.

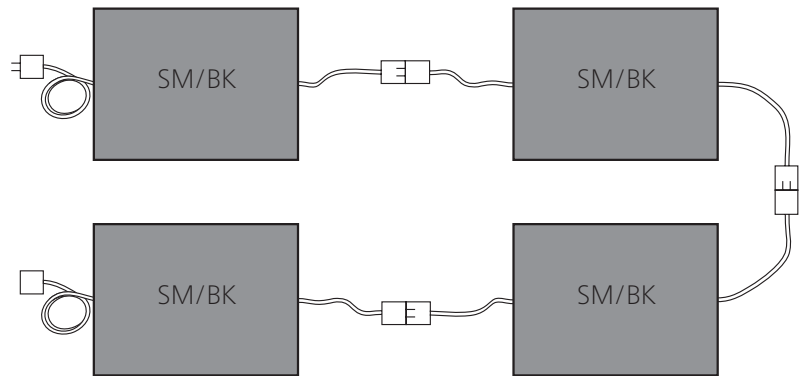
Design

SM/BK with cables on both sides as a through sensor



Subject to technical modifications.

Combination of sensors



Combination:

- connection of more than one sensor
- only one control unit required
- individual design of control areas with regard to size and shape

Intended use

A safety mat detects a person that is standing on or stepping onto it. It is a protective device covering a certain area and monitoring the presence of a person on it as a safety function. Its purpose is to prevent possible hazardous situations for personnel within a danger zone.

Typical applications are in the area of moving units on machines and plants.

Safe operation of a safety mat depends entirely on

- The surface condition of the mounting surface,
- the correct selection of size and resistance as well as
- correct installation.

Limits

- Max. 10 sensors type BK on one control unit
- Max. 9 sensors type BK and 1 sensor type W on one control unit
- System size max. 15 m²
= max. number × max. sensor size

Tip

See Annex B of ISO 13856-1, especially Figures B.1 and B.2.

Exclusions

Sensors are not suitable

- for detecting walking aids.
- for detecting individuals who weigh less than 20 kg.
- for navigating with industrial trucks.

Sensor combinations are not suitable

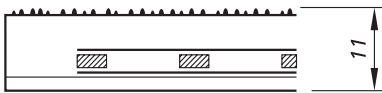
- for detecting individuals who weigh less than 35 kg.

Program selection

Sensors in the SM11 safety mat programme are only available in rectangular shape. The surface is resistant to a certain extent to external influences and normal chemical influences.

If you have higher requirements of the sensors, we recommend our line of customised safety mats.

Design



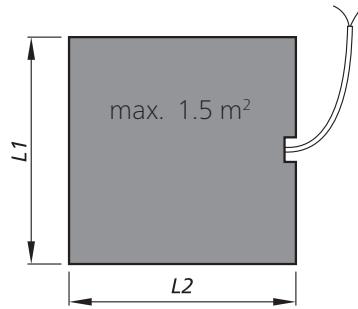
Standard version

moulded onto a plastic plate;
fitted in the factory with a
non-slip structured surface;
non-slip category: R9
Degree of protection: IP65

Available sizes

Sensors are available exclusively in rectangular shape up to a size of max. 1.5 m².

The side lengths must be within a range of 200 to 3,000 mm.



L1: cable side
L2: not cable side

$$L1 \times L2 \leq 1.5 \text{ m}^2$$

The cable exit on safety mats can be on the wide or the narrow side.

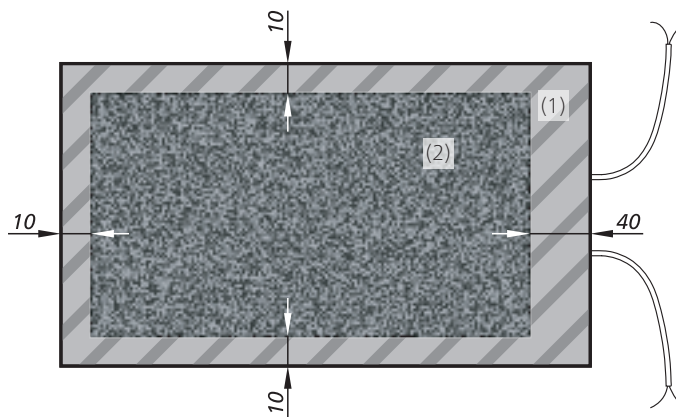
Non-sensitive edges

A non-sensitive edge (1) surrounds the effective actuation area (2):

- 40 mm = on cable exit side
- 10 mm = on remaining three sides

Note

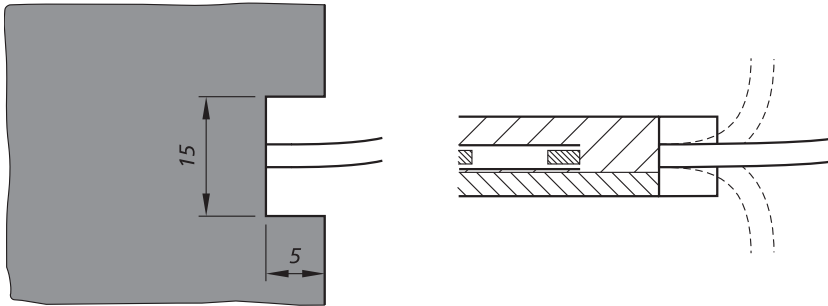
With a combination of sensors, only the sides with an edge area of 10 mm may be placed together.



Connection

Cable exit

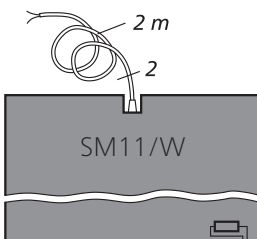
The multifunctional cutout also allows the cable to be laid upwards or downwards.



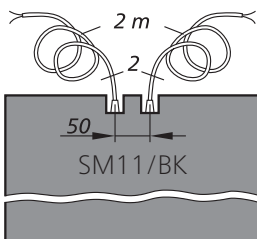
Cable connection

Without plug (standard)

- Universally applicable
- Variable cable length



- As an individual sensor type W or an end sensor type W
- Integrated resistor
- 2-wire cable (\varnothing 5 mm; $2 \times 0.5 \text{ mm}^2 \text{ Cu}$)



- As a feed-through sensor type BK
- Without resistor
- 2 two-wire cables (\varnothing 5 mm; $2 \times 0.5 \text{ mm}^2 \text{ Cu}$)

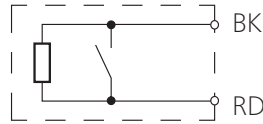
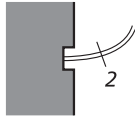
Optional with M8 plug (IP67).

ATTENTION

The maximum overall cable length up to signal processing is 100 m.

Wire colours

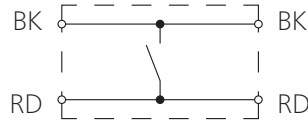
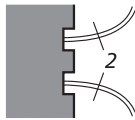
Sensor type W



Colour coding

RD Red BK Black

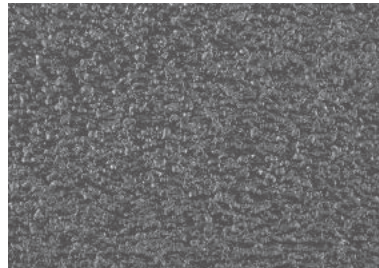
Sensor type BK with 2 lines



Sensor cover

A rough surface provides the necessary non-slip quality and acts as a mechanical protection.

The structured surface is applied in the factory.



Resistances

The condition for the resistances listed in the following (at room temperature 23 °C) is a sensor with an undamaged surface.

Physical resistance

Surface	PUR
IEC 60529: Degree of protection	IP65
DIN 53516: Abrasion	< 150 mg
DIN 51130: Non-Slip static load (up to 8 h)	R9 800 N/cm ²
DIN 4102: Behaviour in fire	B2
Stress when subjected to climate changes	+
UV-resistance	+

Explanation of symbols:

+ = resistant

Subject to technical modifications.

Chemical resistance

The sensor is resistant against normal chemical influences such as diluted acids and alkalis as well as alcohol over an exposure period of 24 hrs.

The values in the table are results of tests carried out in our laboratory. The suitability of our products for your special area of application must always be verified with your own practical tests.

Surface	PUR
Acetone	-
Formic acid 5 %	+
Ammonia	+
ATF gear oil	+
Brake fluid DOT 4	-
Cutting emulsion	+
Demineralised water	+
Diesel	±
Acetic acid 10 %	+
Ethanol	-
Greases	-
Hydraulic oil	+
Caustic potash solution 10 %	+
Saline solution 5 %	+
Cooling lubricant	±
Metal working oil	+
Methanol	-
Mineral oil	+
Caustic soda 10 %	±
Cellulose thinner	-
Hydrochloric acid 10 %	±
Salt water 10 %	+
Suds 5 %	+
White spirit (ethyl alcohol)	-
Universal thinner	-
Water	+
Petroleum ether / petrol	-
Citric acid 10 %	+
Drawing compound	-

Explanation of symbols:

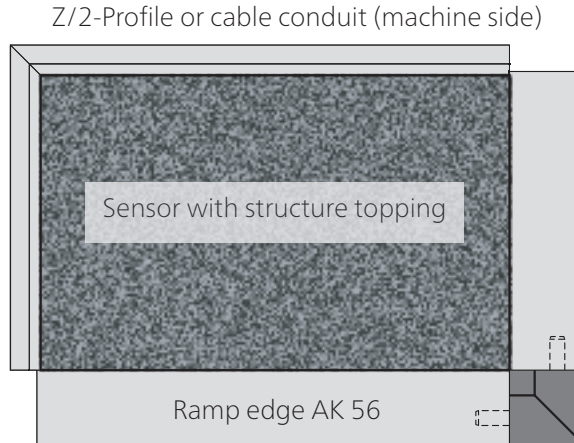
- + = resistant
- ± = resistant to a certain extent
- = not resistant

Note:

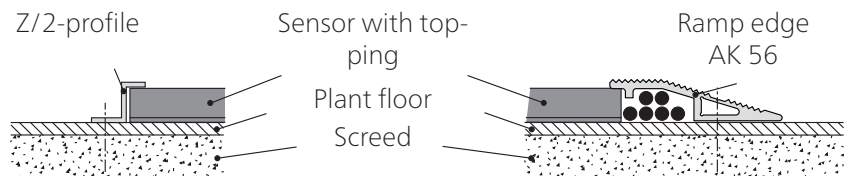
Tests are carried out at room temperature (+23 °C).

Sensor attachment

Ramp edges can be installed quickly and easily.



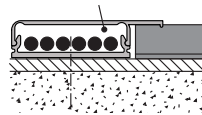
Ramp edge AK 56



- Not suitable for plug-in cable connections
- Cable conduit for max. 6 cables

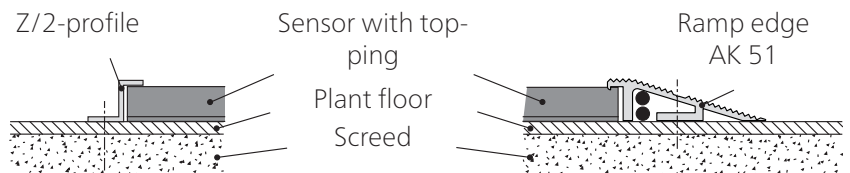
Cable conduit AP 45

Cable conduit
AP 45



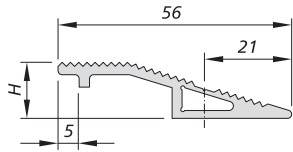
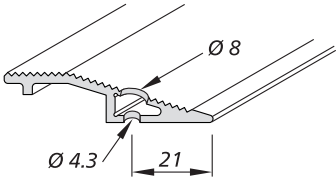
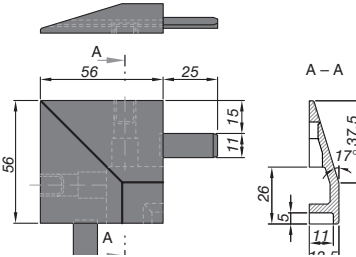
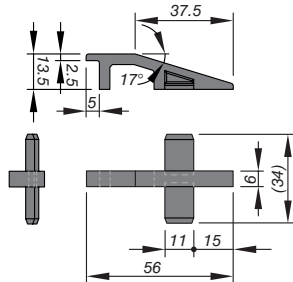
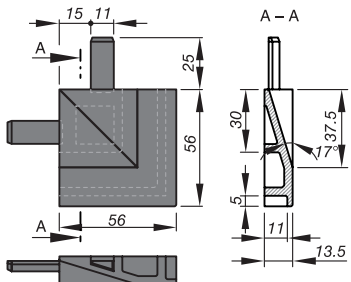
- Cable conduit AP 45 instead of Z/2-Profile
- Suitable for plug-in cable connections
- Cable conduit for max. 6 cables

Ramp edge AK 51



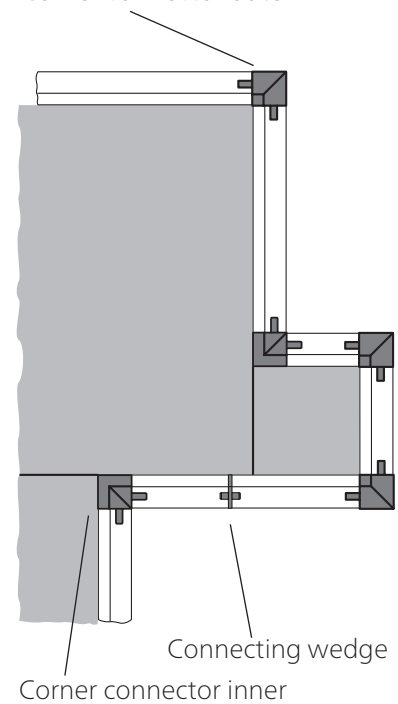
- Not suitable for plug-in cable connections
- Cable conduit for max. 2 cables
- Corner joints are only available with mitre cuts (not suitable for corner connectors and wedge connectors)

Subject to technical modifications.

<p>Aluminium ramp edge AK 56</p> <ul style="list-style-type: none"> • 1-part with cable conduit • For combination of several sensors • Sensors with or without plugs • Rod 3 m (7501014), Rod 6 m (1002684) or fixed length 	
<p>Threaded hole for AK 56</p> <ul style="list-style-type: none"> • For fixing ramp edge AK 56 	
<p>Corner connector E1 AK 56 outer</p> <ul style="list-style-type: none"> • For corner connectors ramp edge AK 56 • Material: plastic black (1002751) 	
<p>Connecting wedge Vk AK 56</p> <ul style="list-style-type: none"> • For longitudinal connection of ramp edge AK 56 • Material: plastic black (1002996) 	
<p>Corner connector E2 AK 56 inner</p> <ul style="list-style-type: none"> • For corner connectors ramp edge AK 56 • Material: plastic black (1002752) 	

Example:

Corner connector outer

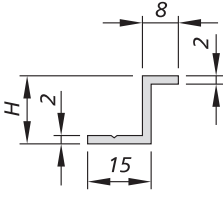
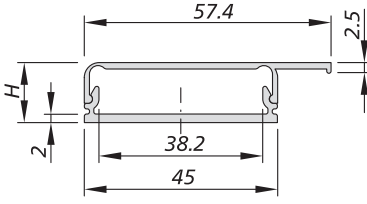
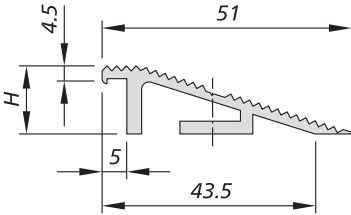
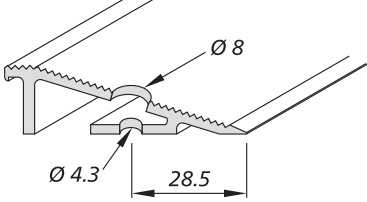
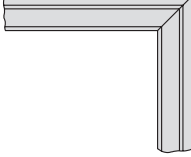


Corner connector inner

Note

Corner connector and connecting wedge are not suitable for ramp edge AK 51.

Subject to technical modifications.

<p>Aluminium-Z/2-Profile</p> <ul style="list-style-type: none"> • Edging at the machine or wall side • Rod 3 m (7500385), Rod 6 m (1001666) or fixed length 	
<p>Aluminium cable conduit AP 45</p> <ul style="list-style-type: none"> • 2-part with cable conduit • For combination of several sensors • Sensors with or without plugs • Upper section is clipped into lower section • Rod 3 m upper part (1002546), Rod 3 m bottom part (1002547) or fixed length upper and bottom part 	
<p>Aluminium ramp edge AK 51</p> <ul style="list-style-type: none"> • 1-part with cable conduit • Combinations up to max. 2 sensors • Sensor without plug • Rod 3 m (7500384), Rod 6 m (1001667) or fixed length 	
<p>Threaded hole for AK 51</p> <ul style="list-style-type: none"> • For fixing ramp edge AK 51 	
<p>Mitre cut</p> <ul style="list-style-type: none"> • For corner connections 	

Subject to technical modifications.

Calculation of the necessary actuation area

area

In accordance with ISO 13855, the necessary effective actuation area in relation to the danger area is calculated with the following:

$$S = (K \times T) + C \quad \text{where:} \quad \begin{aligned} K &= 1600 \text{ mm/s} \\ T &= t_1 + t_2 \\ C &= 1200 \text{ mm} - 0.4H \end{aligned}$$

With installation at floor level

$H = 0$; hence:

$$S = (1600 \text{ mm/s} \times T) + 1200 \text{ mm}$$

With installation on a step

$H \neq 0$; hence:

$$S = (1600 \text{ mm/s} \times T) + (1200 \text{ mm} - 0.4H)$$

S = Minimum distance between the danger zone and the furthest edge of the sensor [mm]

K = Approximation parameters [mm/s]

T = Follow-through of the complete system [s]

t_1 = Response time of the protective device

t_2 = Stopping time of the machine

C = Safety tolerance [mm]

H = Step height [mm]

Calculation examples

Example 1

A safety mat detects non-permitted access to the danger zone of an automated movement. The mat is installed flush to the floor, i.e. $H = 0$. The follow-through time of the movement is 300 ms, the response time of the protective device is 23 ms.

$$S = (1600 \text{ mm/s} \times (300 \text{ ms} + 23 \text{ ms})) + 1200 \text{ mm}$$

$$S = 517 \text{ mm} + 1200 \text{ mm}$$

$$S = 1717 \text{ mm}$$

Example 2

The same conditions as Example 1, however, a step with a height of 150 mm must be negotiated to the danger zone.

$$S = (1600 \text{ mm/s} \times (300 \text{ ms} + 23 \text{ ms})) + (1200 - (0.4 \times 150)) \text{ mm}$$

$$S = (1600 \text{ mm/s} \times 0.323 \text{ s}) + (1200 - 60) \text{ mm}$$

$$S = 517 \text{ mm} + 1140 \text{ mm}$$

$$S = 1657 \text{ mm}$$

Safety aspects

Without reset function

When a safeguard without reset function is used (automatic reset), the reset function must be made available in some other way.

Performance Level (PL)

The PL was determined during a simplified procedure according to ISO 13849-1.

Fault exclusion according to ISO 13849-2 Table D.8: Non-closing of contact by pressure-sensitive equipment according to ISO 13856. In this case, the sensor will no longer be taken into account in determining the PL. The overall system safety mat (pressure-sensitive protection device) can reach a maximum of PL d.

Is the safeguard appropriate?

The PL required for the hazard must be decided by the integrator. This is followed by the choice of safeguard.

Finally, the integrator needs to check whether the category and PL of the safeguard chosen are appropriate.

Maintenance and cleaning

The sensor is maintenance-free.

The control unit also monitors the sensor.

Regular inspection

Depending on the load, the sensors are to be tested at regular intervals (at least monthly)

- for correct functioning: by activation or by applying the relevant test sample.
- for damage: by visual checking.

Cleaning

If necessary, clean the sensor with a mild cleaning agent.

Technical data

Safety mat:	SM11/W with SG-EFS 1X4 ZK2/1	SM11/W with SG-EFS 104/2W	SM11/BK with SG-EFS 104/4L
Testing basis:	ISO 13856-1		
Switching characteristics at $v_{\text{test}} = 250 \text{ mm/s}$			
Switching operations at 0.1 A	$> 4 \times 10^6$		
Actuation forces			
Test piece (cylinder) $\varnothing 11$ mm	$< 300 \text{ N}$		
Test piece (cylinder) $\varnothing 80$ mm	$< 300 \text{ N}$		
Test piece (cylinder) $\varnothing 200$ mm	$< 600 \text{ N}$		
Response time with control unit	18 ms	23 ms	38 ms
Safety classifications			
ISO 13856: Reset function	with/without	with/without	with/without
ISO 13849-1:2006			
MTTF _D (Pressure-sensitive protection device)	category 3 PL d 246 a	category 3 PL d 210 a	category 3 PL d 65 a
MTTF _D (sensor)	1142 a	1142 a	1142 a
B _{10D} (sensor)	6×10^6	6×10^6	6×10^6
n _{op} (acceptance)	52560/a	52560/a	52560/a
Mechanical operating conditions			
Sensor size	max. 1.5 m ²		
Side length (min./max.)	200 mm / 3000 mm		
Cable length (min./max.)	10 cm / 200 m		
Static load (up to 8 h)	max. 800 N/cm ²		
Driving on with industrial trucks	not suitable		
Weight	12.0 kg/m ²		
IEC 60529: Degree of protection	IP65		
max. humidity (23 °C)	95 % (not-condensing)		
Operating temperature			
individual sensor	-20 to +55 °C		
combined sensor	+5 to +55 °C		
Storage temperature	-20 to +55 °C		
Electrical operating conditions			
Connection cable	$\varnothing 5.0 \text{ mm PVC } 2 \times 0.5 \text{ mm}^2$		
Sensor	DC 24 V / max. 100 mA		
Number of sensors type BK	max. 10 in series		
Dimensional tolerances			
Length dimension	ISO 2768-c		
Perpendicularity	ISO 2768-c		

Request for quotation

Submitted by

Company

Department

Surname, first name

P.O. Box

Postcode

Town/city

Street

Postcode

Town/city

Phone

Fax

E-mail

Area of application

(e.g. metalworking, textile machines, timber processing, tube drawing, local public transport, ...)

Protection of the danger zone with:

- SM11/W Quantity: _____
Width: _____ Depth: _____
- SM11/BK Quantity: _____
Width: _____ Depth: _____

Fixing with:

- Ramp edge AK 56 Aluminium cable conduit AP 45
 Aluminium Z/2-Profile Ramp edge AK 51

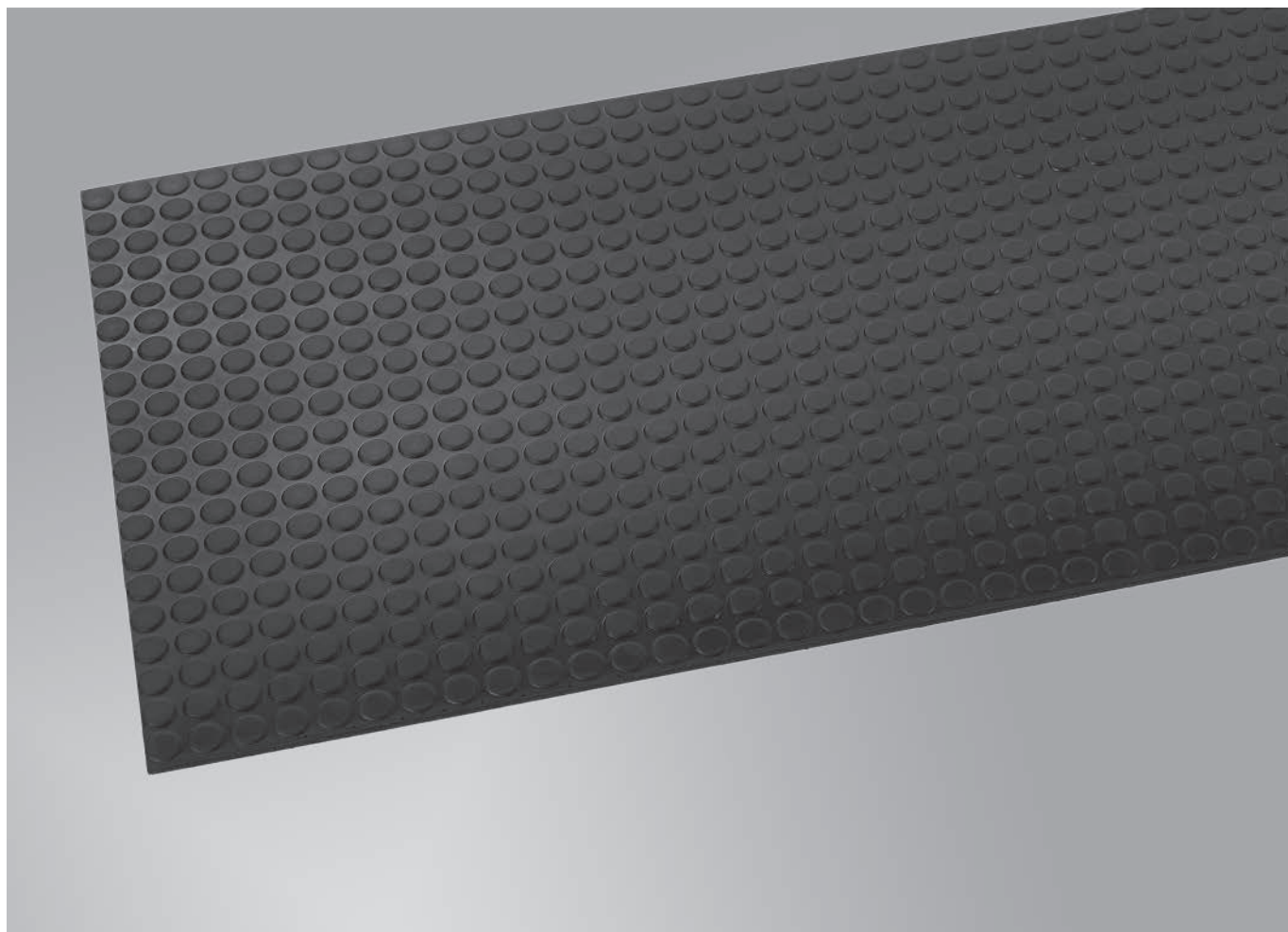
Area to be secured:

(Diagram incl. edge profiles and cable routing)

Fax:

+49 731 2061-222

⬇ Please do not write ⬇
in this column!
For internal notes only



Safety mats TS



EN | Product information

Mayser GmbH & Co. KG

Oerlinger Strasse 1-3

89073 Ulm

GERMANY

Phone: +49 731 2061-0

Fax: +49 731 2061-222

E-mail: info.ulm@mayser.com

Internet: www.mayser.com

Contents

Definitions	3
Pressure-sensitive protection device	3
Operation principle 2-wire-technology	4
Operation principle 4-wire-technology	6
Intended use	7
Limits	7
Exclusions	7
Program selection	7
Design	8
Available sizes	8
Non-sensitive edges	9
Connection	9
Cable exit	9
Cable connection	10
Wire colours	10
Sensor cover	11
Resistances	11
Sensor attachment	13
Ramp edge AK 56	13
Cable conduit AP 45	13
Ramp edge AK 51	14
Calculation of the necessary actuation area	17
Calculation examples	17
Safety aspects	18
Maintenance and cleaning	18
Technical data	19
Request for quotation	20

Important information

Read through the product information carefully. It contains important information on operation, safety and maintenance of the product. Retain the product information for later reference.

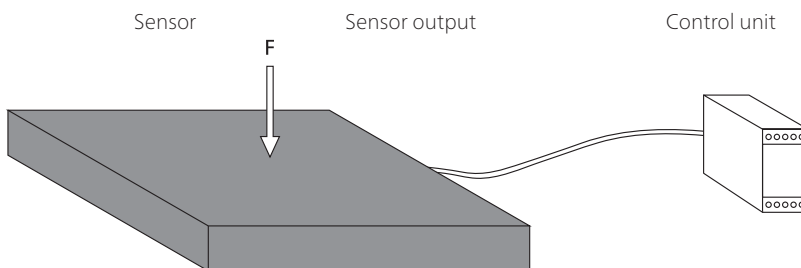
Always observe the safety instructions on the following pages under **ATTENTION**. Only use the product for the purpose described in the product information.

© Maysers Ulm 2017

Definitions

Pressure-sensitive protection device

A pressure-sensitive protection device consists of pressure-sensitive sensor(s), signal processing and output signal switching device(s). The control unit is made up of the signal processing and output signal switching device(s). The pressure-sensitive protection device is triggered when the sensor is activated.



Note:

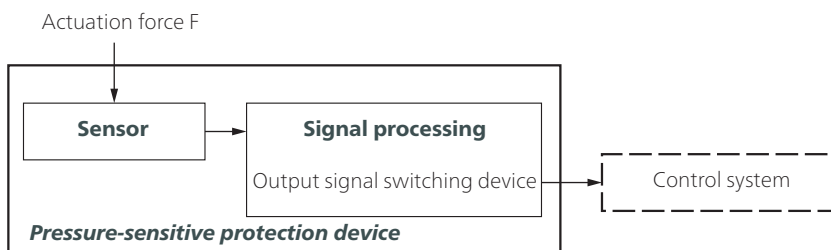
See also Chapter 3 **Terms** in ISO 13856-1.

Sensor

The sensor is the part of the pressure-sensitive protection device that generates a signal when the actuating force F is applied. Mayser safety systems have a sensor whereby the actuating surface is deformed locally.

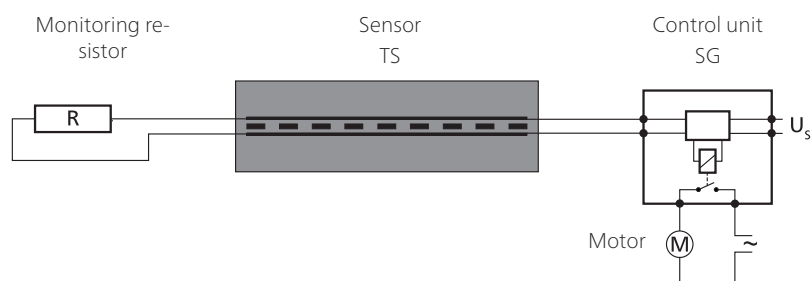
Signal processing

The signal processing is the part of the pressure-sensitive protection device that converts the output signal of the sensor and controls the status of the output signal switching device. The output signal switching device is that part of the signal processing which is connected to the machine controls and transmits safety output signals such as STOP.



Criteria for selecting the sensor type

- Category in accordance with ISO 13849-1
- Performance level of pressure-sensitive protection device = at least PL_r
- Temperature range
- Degree of protection in accordance with IEC 60529:
IP65 is the standard for safety mats.
Higher degree of protection must be checked individually.
- Environmental influences such as swarf, oil, coolant, outdoor use...
- Recognition of persons weighing < 35 kg necessary?

Operation principle 2-wire-technology

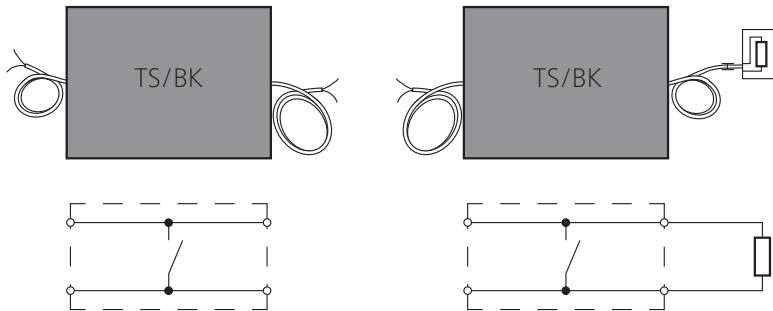
The monitoring resistor must be compatible with the control unit.
Standard value is 1k Ω . 8k Ω and 22k Ω are also available.

For your safety:

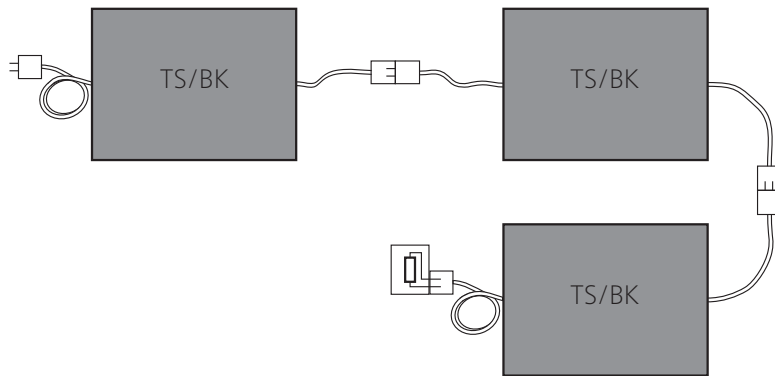
Sensor and connecting cables are constantly monitored for function.
Monitoring is carried out by controlled bridging of the contact surfaces
with a monitoring resistor (closed current principle).

Design

TS/BK with cables on both sides as a through sensor or as an end sensor with external monitoring resistor



Combination of sensors



Combination:

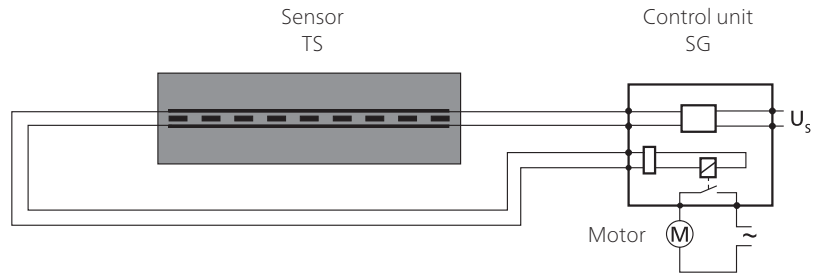
- connection of more than one sensor
- only one control unit required
- individual design of control areas with regard to size and shape

Operation principle 4-wire-technology

Unlike 2-wire technology, 4-wire-technology works **without** a monitoring resistor.

Note:

The 4-wire technology can be used only together with control unit SG-EFS 104/4L.

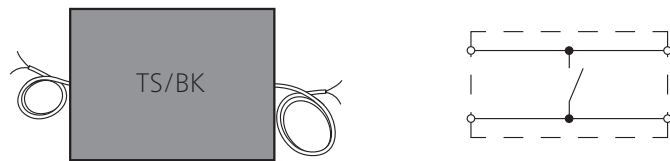


For your safety:

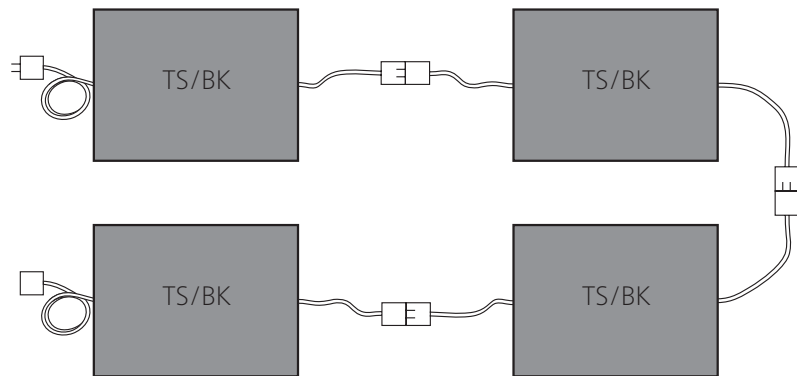
Sensor and connecting cables are constantly monitored for function. This is possible because of signal transmission feedback – without monitoring resistor.

Design

TS/BK with cables on both sides as a through sensor



Combination of sensors



Combination:

- connection of more than one sensor
- only one control unit required
- individual design of control areas with regard to size and shape

Subject to technical modifications.

Intended use

A safety mat detects a person that is standing on or stepping onto it. It is a protective device covering a certain area and monitoring the presence of a person on it as a safety function. Its purpose is to prevent possible hazardous situations for personnel within a danger zone.

Typical applications are in the area of moving units on machines and plants.

Safe operation of a safety mat depends entirely on

- The surface condition of the mounting surface,
- the correct selection of size and resistance as well as
- correct installation.

Tip

See Annex B of ISO 13856-1, especially Figures B.1 and B.2.

Limits

- Max. 10 sensors type BK on one control unit
- System size max. 15 m²
= max. number × max. sensor size

Exclusions

Sensors are not suitable

- for detecting walking aids.
- for detecting individuals who weigh less than 20 kg.
- for navigating with industrial trucks.

Sensor combinations are not suitable

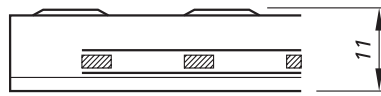
- for detecting individuals who weigh less than 35 kg.

Program selection

Sensors in the safety mats TS programme are only available in fixed, predefined sizes. The surface is resistant to a certain extent to external influences and normal chemical influences.

If you have higher requirements of the sensors, we recommend our line of customised safety mats.

Design



Standard version

Moulded onto a plastic plate. The surface structure created during casting ensures the necessary non-slip protection as well as mechanical protection.

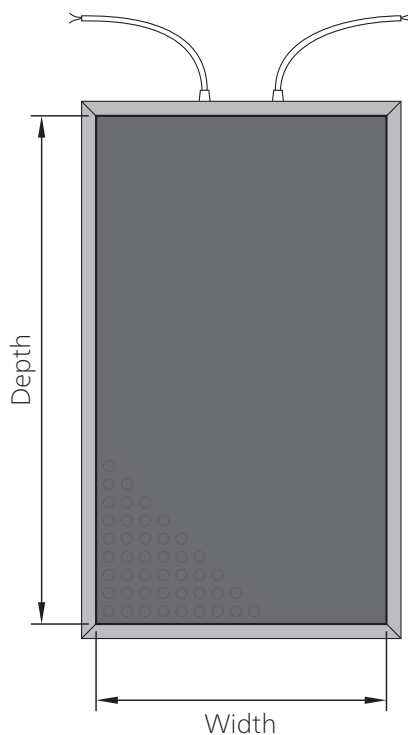
Load capacity: max. 800 N/cm²

Degree of protection: IP65

Available sizes

TS sensors are only available in fixed sizes:

Part number		Width × Depth
5001881	TS/BK	500 × 1200 mm
5000777	TS/BK	500 × 1600 mm
5001882	TS/BK	750 × 1200 mm
5001005	TS/BK	750 × 1600 mm
5001238	TS/BK	1000 × 1200 mm
5000776	TS/BK	1000 × 1600 mm



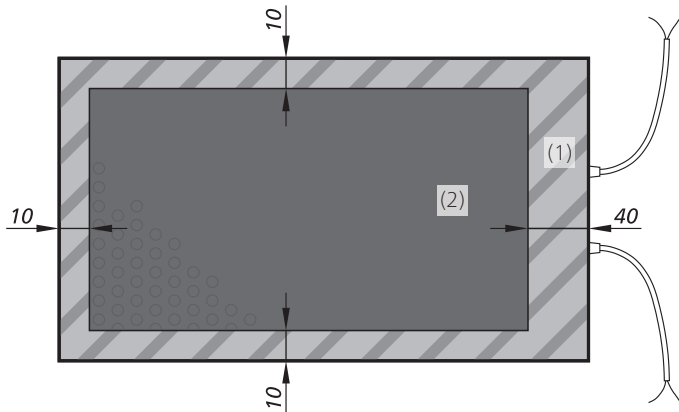
According to ISO 13855, the minimum depth to the danger zone must be taken into account (see Chapter *Calculation of the necessary actuation area*).

The non-sensitive edges must be taken into account (see Chapter *Non-sensitive edges*).

Non-sensitive edges

A non-sensitive edge (1) surrounds the effective actuation area (2):

- 40 mm = on cable exit side
- 10 mm = on remaining three sides



Note

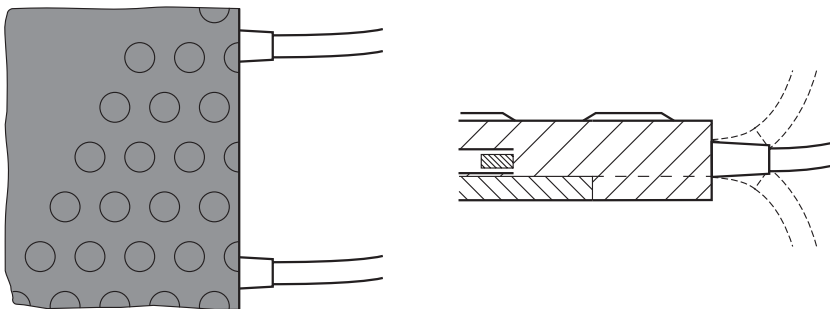
With a combination of sensors, only the sides with an edge area of 10 mm may be placed together.

Connection

Cable exit

The cable exit is only available in the centre of the narrow side.

Lay the cables in the attached cable conduit. They can only be laid upwards or downwards to a limited extent.



Cable connection

ATTENTION

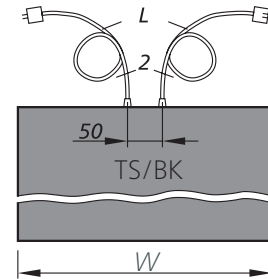
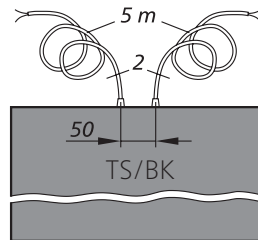
The maximum overall cable length up to signal processing is 100 m.

Without plug (standard)

- Universally applicable
- Variable cable length

With plug

- Service-friendly
- Easy assembly
- Safe connection
- Watertight plug connection possible
- Standard cable lengths
 $L = W/2 + 200 \text{ mm}$
 (Other cable lengths available on request.)



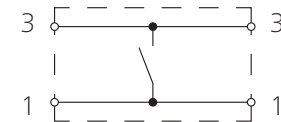
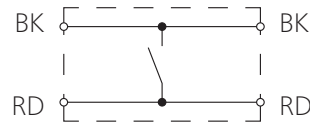
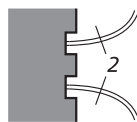
- As a feed-through sensor type BK
- Without resistor
- 2 two-wire cables ($\varnothing 5 \text{ mm}$; $2 \times 0.5 \text{ mm}^2 \text{ Cu}$)

Wire colours

Without plug (standard)

With plug (M8)

Sensor type BK with 2 lines

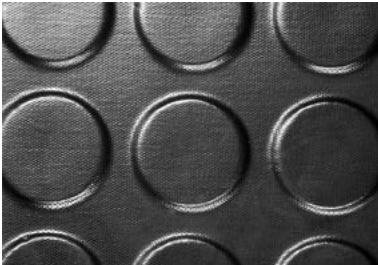


Colour coding

RD Red BK Black

Sensor cover

The rubber nub structure is produced during the manufacturing process at the factory. It prevents slipping and provides mechanical protection. Further covering of the sensor is not necessary.



Resistances

The condition for the resistances listed in the following (at room temperature 23 °C) is a sensor with an undamaged surface.

Physical resistance

Surface	PUR
IEC 60529: degree of protection	IP65
DIN 53516: abrasion	120 mg
DIN 51130: non-Slip	R9
static load (8 h)	800 N/cm ²
DIN 4102: behaviour in fire	B2
Stress when subjected to climate changes	+
UV-resistance	+

Explanation of symbols:

+ = resistant

Chemical resistance

The sensor is resistant against normal chemical influences such as diluted acids and alkalis as well as alcohol over an exposure period of 24 hrs.

The values in the table are results of tests carried out in our laboratory. The suitability of our products for your special area of application must always be verified with your own practical tests.

Explanation of symbols:

- + = resistant
- ± = resistant to a certain extent
- = not resistant

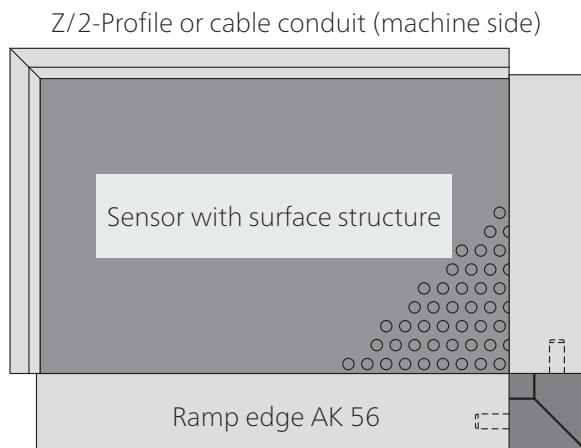
Surface	PUR
Acetone	-
Formic acid 5 %	+
Ammonia	+
ATF gear oil	+
Brake fluid DOT 4	-
Cutting emulsion	+
Demineralised water	+
Diesel	±
Acetic acid 10 %	+
Ethanol	-
Greases	-
Hydraulic oil	+
Caustic potash solution 10 %	+
Saline solution 5 %	+
Cooling lubricant	±
Metal working oil	+
Methanol	-
Mineral oil	+
Caustic soda 10 %	±
Cellulose thinner	-
Hydrochloric acid 10 %	±
Salt water 10 %	+
Suds 5 %	+
White spirit (ethyl alcohol)	-
Universal thinner	-
Water	+
Petroleum ether / petrol	-
Citric acid 10 %	+
Drawing compound	-

Note:

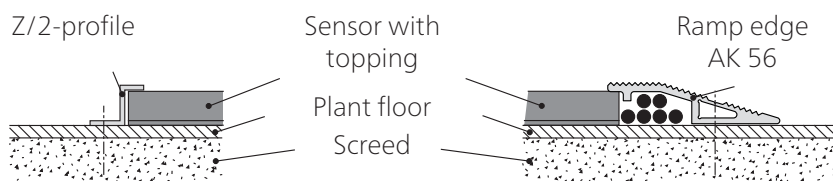
Tests are carried out at room temperature (+23 °C).

Sensor attachment

Ramp edges can be installed quickly and easily.

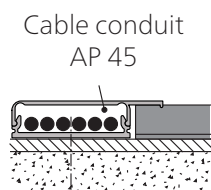


Ramp edge AK 56



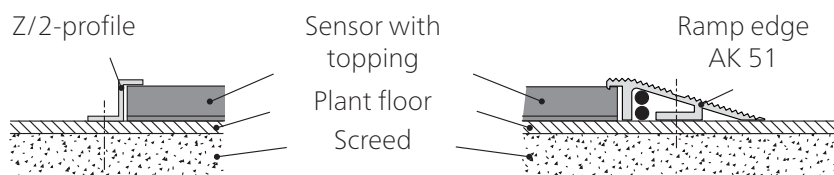
- Not suitable for plug-in cable connections
- Cable conduit for max. 6 cables

Cable conduit AP 45



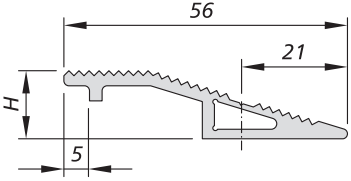
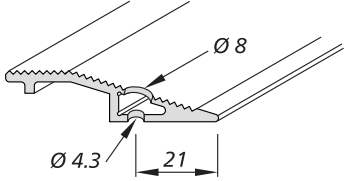
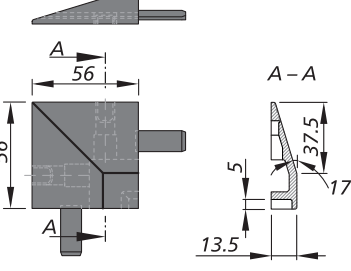
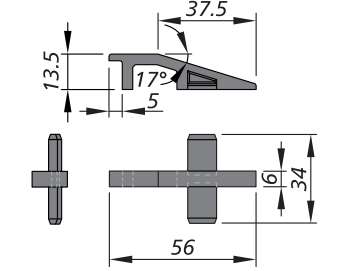
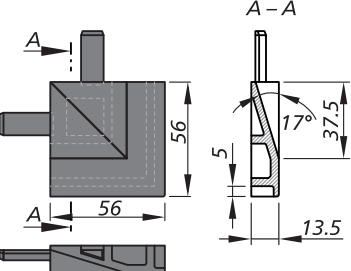
- Cable conduit AP 45 instead of Z/2-Profile
- Suitable for plug-in cable connections
- Cable conduit for max. 6 cables

Ramp edge AK 51

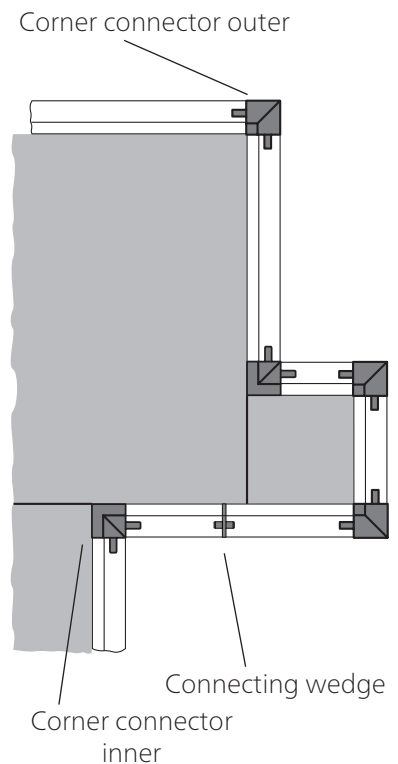


- Not suitable for plug-in cable connections
- Cable conduit for max. 2 cables
- Corner joints are only available with mitre cuts (not suitable for corner connectors and wedge connectors)

Subject to technical modifications.

<p>Aluminium ramp edge AK 56</p> <ul style="list-style-type: none"> • 1-part with cable conduit • For combination of several sensors • Sensors with or without plugs • Rod 3 m (7501014), Rod 6 m (1002684) or fixed length 	
<p>Threaded hole for AK 56</p> <ul style="list-style-type: none"> • For fixing ramp edge AK 56 	
<p>Corner connector E1 AK 56 outer</p> <ul style="list-style-type: none"> • For corner connectors ramp edge AK 56 • Material: plastic black (1002751) 	
<p>Connecting wedge Vk AK 56</p> <ul style="list-style-type: none"> • For longitudinal connection of ramp edge AK 56 • Material: plastic black (1002996) 	
<p>Corner connector E2 AK 56 inner</p> <ul style="list-style-type: none"> • For corner connectors ramp edge AK 56 • Material: plastic black (1002752) 	

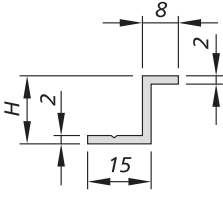
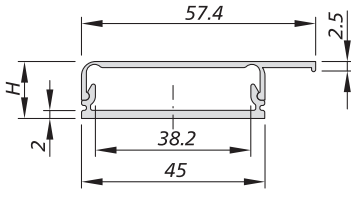
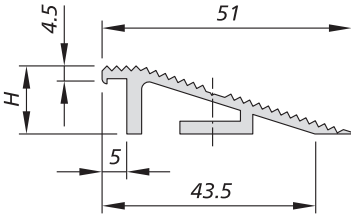
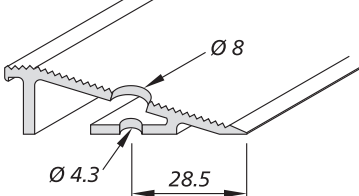
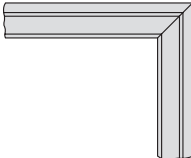
Example:



Note

Corner connector and connecting wedge are not suitable for ramp edge AK 51.

Subject to technical modifications.

<p>Aluminium-Z/2-Profile</p> <ul style="list-style-type: none"> • Edging at the machine or wall side • Rod 3 m (7500385), Rod 6 m (1001666) or fixed length 	
<p>Aluminium cable conduit AP 45</p> <ul style="list-style-type: none"> • 2-part with cable conduit • For combination of several sensors • Sensors with or without plugs • Upper section is clipped into lower section • Rod 3 m upper part (1002546), Rod 3 m bottom part (1002547) or fixed length upper and bottom part 	
<p>Aluminium ramp edge AK 51</p> <ul style="list-style-type: none"> • 1-part with cable conduit • Combinations up to max. 2 sensors • Sensor without plug • Rod 3 m (7500384), Rod 6 m (1001667) or fixed length 	
<p>Threaded hole for AK 51</p> <ul style="list-style-type: none"> • For fixing ramp edge AK 51 	
<p>Mitre cut</p> <ul style="list-style-type: none"> • For corner connections 	

Subject to technical modifications.

Calculation of the necessary actuation area

In accordance with ISO 13855, the necessary effective actuation area in relation to the danger area is calculated with the following:

$$S = (K \times T) + C \quad \text{where:} \quad \begin{aligned} K &= 1600 \text{ mm/s} \\ T &= t_1 + t_2 \\ C &= 1200 \text{ mm} - 0.4H \end{aligned}$$

With installation at floor level

$H = 0$; hence:

$$S = (1600 \text{ mm/s} \times T) + 1200 \text{ mm}$$

With installation on a step

$H \neq 0$; hence:

$$S = (1600 \text{ mm/s} \times T) + (1200 \text{ mm} - 0.4H)$$

- S = Minimum distance between the danger zone and the furthest edge of the sensor [mm]
- K = Approximation parameters [mm/s]
- T = Follow-through of the complete system [s]
- t_1 = Response time of the protective device
- t_2 = Stopping time of the machine
- C = Safety tolerance [mm]
- H = Step height [mm]

Calculation examples

Example 1

A safety mat detects non-permitted access to the danger zone of an automated movement. The mat is installed flush to the floor, i.e. $H = 0$. The follow-through time of the movement is 212 ms, the response time of the protective device is 38 ms.

$$\begin{aligned} S &= (1600 \text{ mm/s} \times (212 \text{ ms} + 38 \text{ ms})) + 1200 \text{ mm} \\ S &= 400 \text{ mm} + 1200 \text{ mm} \\ S &= 1600 \text{ mm} \end{aligned}$$

Example 2

The same conditions as Example 1, however, a step with a height of 150 mm must be negotiated to the danger zone.

$$\begin{aligned} S &= (1600 \text{ mm/s} \times (212 \text{ ms} + 38 \text{ ms})) + (1200 - (0.4 \times 150)) \text{ mm} \\ S &= (1600 \text{ mm/s} \times 0.25 \text{ s}) + (1200 - 60) \text{ mm} \\ S &= 400 \text{ mm} + 1140 \text{ mm} \\ S &= 1540 \text{ mm} \end{aligned}$$

Safety aspects

Without reset function

When a safeguard without reset function is used (automatic reset), the reset function must be made available in some other way.

Performance Level (PL)

The PL was determined during a simplified procedure according to ISO 13849-1.

Fault exclusion according to ISO 13849-2 Table D.8: Non-closing of contact by pressure-sensitive equipment according to ISO 13856. In this case, the sensor will no longer be taken into account in determining the PL. The overall system safety mat (pressure-sensitive protection device) can reach a maximum of PL d.

Is the safeguard appropriate?

The PL required for the hazard must be decided by the integrator. This is followed by the choice of safeguard.

Finally, the integrator needs to check whether the category and PL of the safeguard chosen are appropriate.

Maintenance and cleaning

The sensor is virtually maintenance-free.

The control unit also monitors the sensor.

Regular inspection

Depending on the load, the sensors are to be tested at regular intervals (at least monthly)

- for correct functioning: by activation or by applying the relevant test sample.
- for damage: by visual checking.

Cleaning

If necessary, clean the sensor with a mild cleaning agent.

Technical data

Safety mat:	TS/BK with SG-EFS 104/4L
Testing basis:	ISO 13856-1
Switching characteristics at $v_{\text{test}} = 250 \text{ mm/s}$	
Switching operations at 0.1 A	$> 4 \times 10^6$
Actuation forces	
Test piece (cylinder) $\varnothing 11 \text{ mm}$	$< 300 \text{ N}$
Test piece (cylinder) $\varnothing 80 \text{ mm}$	$< 300 \text{ N}$
Test piece (cylinder) $\varnothing 200 \text{ mm}$	$< 600 \text{ N}$
Response time with control unit	38 ms
Safety classifications	
ISO 13856: reset function	with/without
ISO 13849-1:2015	category 3 PL d
MTTF _D (pressure-sensitive protection device)	65 a
MTTF _D (sensor)	1142 a
B10 _D (sensor)	6×10^6
n _{op} (acceptance)	52560 per year
Mechanical operating conditions	
Sensor size	max. 1.6 m ²
Static load (up to 8 h)	max. 800 N/cm ²
Driving on with industrial trucks	not suitable
Weight	13.5 kg/m ²
IEC 60529: degree of protection	IP65
max. humidity (23 °C)	95% (not-condensing)
Operating temperature	
individual sensor	-5 to +55 °C
combined sensor	+5 to +55 °C
Storage temperature	-20 to +55 °C
Electrical operating conditions	
Connection cable	$\varnothing 5.0 \text{ mm PVC } 2 \times 0.5 \text{ mm}^2$
Sensor	DC 24 V / max. 100 mA
Number of sensors type BK	max. 10 in series
Dimensional tolerances	
Length dimension	ISO 2768-c
Perpendicularity	ISO 2768-c

Request for quotation

Submitted by

Company

Department

Surname, first name

P.O. Box

Postcode

Town/city

Street

Postcode

Town/city

Phone

Fax

E-mail

Fax:

+49 731 2061-222

Area of application

(e.g. metalworking, textile machines, timber processing, tube drawing, local public transport, ...)

Protection of the danger zone with:

- | | |
|--|-----------------|
| <input type="checkbox"/> TS/BK 500 × 1200 | Quantity: _____ |
| <input type="checkbox"/> TS/BK 500 × 1600 | Quantity: _____ |
| <input type="checkbox"/> TS/BK 750 × 1200 | Quantity: _____ |
| <input type="checkbox"/> TS/BK 750 × 1600 | Quantity: _____ |
| <input type="checkbox"/> TS/BK 1000 × 1200 | Quantity: _____ |
| <input type="checkbox"/> TS/BK 1000 × 1600 | Quantity: _____ |

Fixing with:

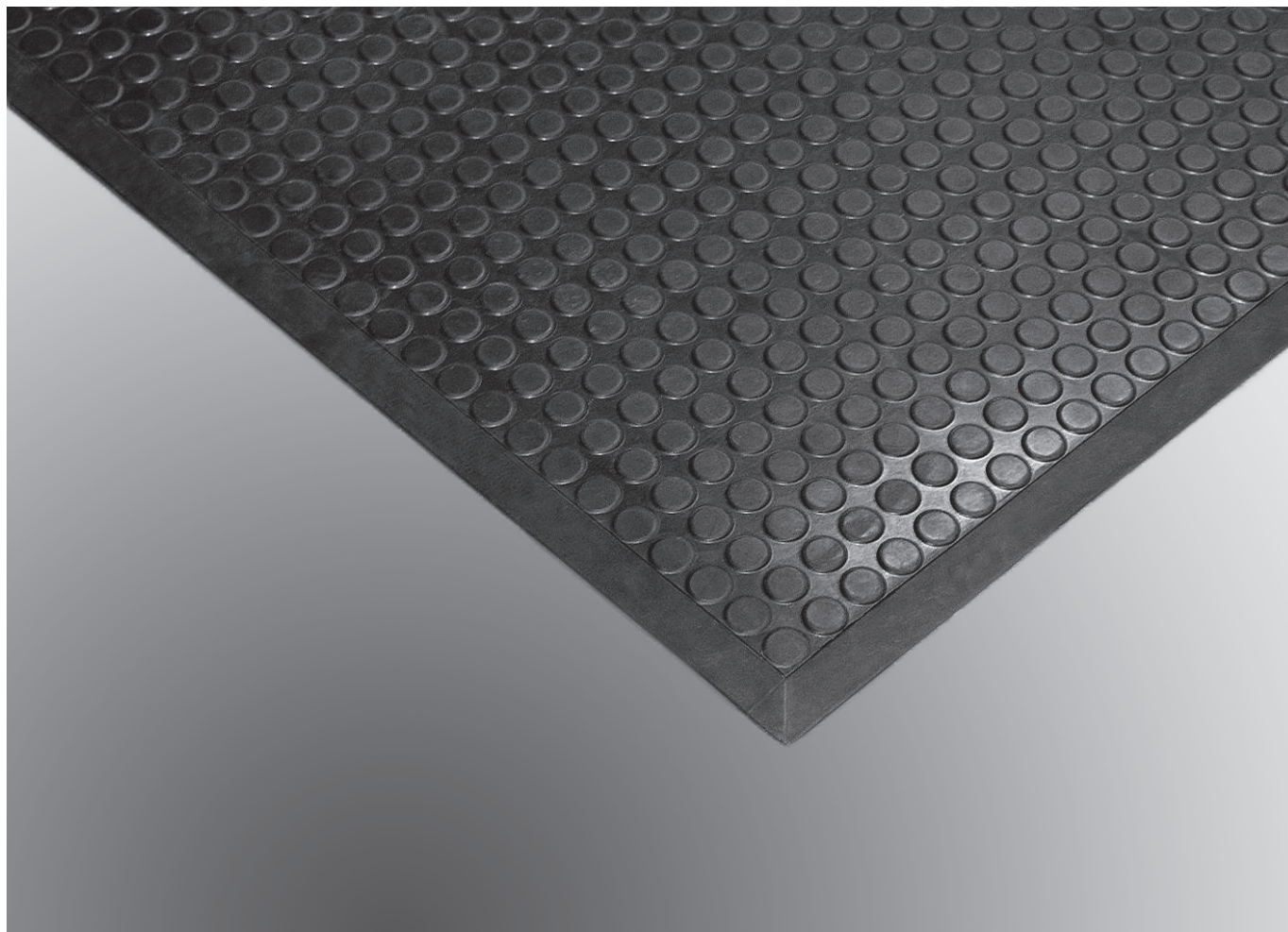
- | | |
|--|--|
| <input type="checkbox"/> Ramp edge AK 56 | <input type="checkbox"/> Aluminium cable conduit AP 45 |
| <input type="checkbox"/> Aluminium-Z/2-profile | <input type="checkbox"/> Ramp edge AK 51 |

Area to be secured:

(Diagram incl. cable routing)

⬇ Please do not write ⬇
in this column!

For internal notes only



Safety mats SM8



EN | Product information

Mayser GmbH & Co. KG

Örlinger Straße 1-3

89073 Ulm

GERMANY

Phone: +49 731 2061-0

Fax: +49 731 2061-222

E-mail: info.ulm@mayser.com

Internet: www.mayser.com

Contents

Available sizes	3
Definitions	4
Pressure-sensitive protection device	4
Operation principle 2-wire-technology	5
Operation principle 4-wire-technology	6
Safety	8
Intended use	8
Limits	8
Exclusions	8
Program selection	8
Weitere Sicherheitsaspekte	9
Design	10
Effective actuation area	10
Connection	11
Cable exits	11
Cable connection	11
Wire colours	12
Sensor surface	12
Physical resistance	12
Chemical resistance	13
Attachment	14
Calculation of the necessary actuation area	14
Calculation examples	15
Maintenance and cleaning	15
Technical data	16
Conformity	17
Request for quotation	18

Copyright

The reproduction, distribution and utilization of this document as well as the communication of its contents without express authorization are prohibited. Offenders will be held liable for the payment of damages. All rights reserved in the event of the grant of a patent, utility model or design.

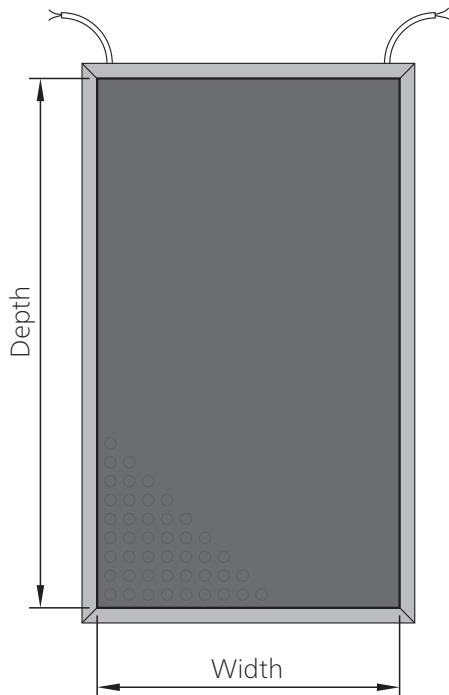
© Mayser Ulm 2019

Available sizes

SM8 sensors are only available in fixed sizes:

Part number	SM8/BK	Width × Depth
5006626	SM8/BK	750 × 1000 mm
5006627	SM8/BK	750 × 1250 mm
5006628	SM8/BK	750 × 1500 mm
5006623	SM8/BK	1000 × 1000 mm
5006624	SM8/BK	1000 × 1250 mm
5006625	SM8/BK	1000 × 1500 mm

The dimensions refer to the pressure sensitive area. For each side with a moulded ramp, 25 mm must be added.

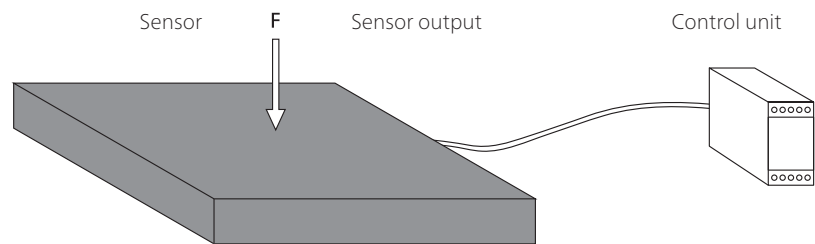


According to ISO 13855, the minimum depth to the danger zone must be taken into account (see Chapter *Calculation of the necessary actuation area*). The non-sensitive edges must be taken into account (see Chapter *Effective actuation area*).

Definitions

Pressure-sensitive protection device

A pressure-sensitive protection device consists of pressure-sensitive sensor(s), signal processing and output signal switching device(s). The control unit is made up of the signal processing and output signal switching device(s). The pressure-sensitive protection device is triggered when the sensor is activated.

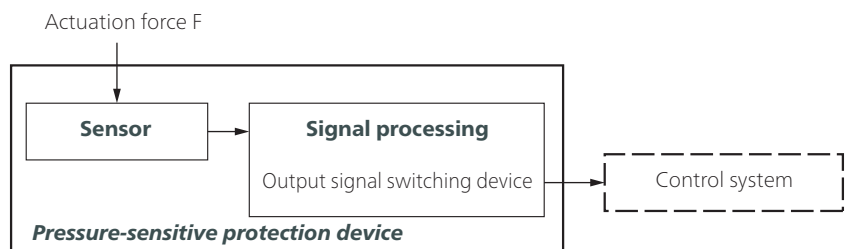


Sensor

The sensor is the part of the pressure-sensitive protection device that generates a signal when the actuating force F is applied. Mayser safety systems have a sensor whereby the actuating surface is deformed locally.

Signal processing

The signal processing is the part of the pressure-sensitive protection device that converts the output signal of the sensor and controls the status of the output signal switching device. The output signal switching device is that part of the signal processing which is connected to the machine controls and transmits safety output signals such as STOP.

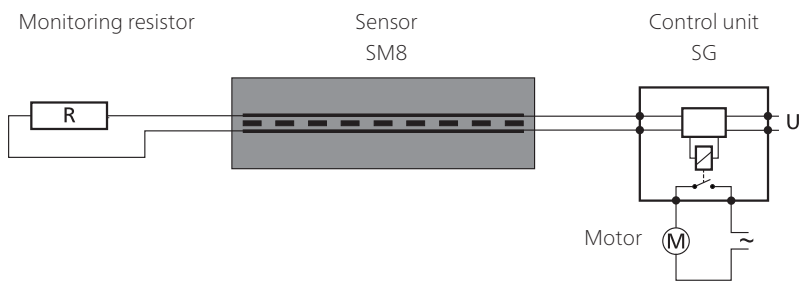


Tip: Terms are defined in ISO 13856-1 Chapter 3.

Criteria for selecting the sensor type

- Category in accordance with ISO 13849-1
- Performance level of pressure-sensitive protection device = at least PL_r
- Temperature range
- Degree of protection in accordance with IEC 60529:
IP65 is the standard for safety mats.
Higher degree of protection must be checked individually.
- Environmental influences such as swarf, oil, coolant, outdoor use...
- Recognition of persons weighing < 35 kg necessary?

Operation principle 2-wire-technology



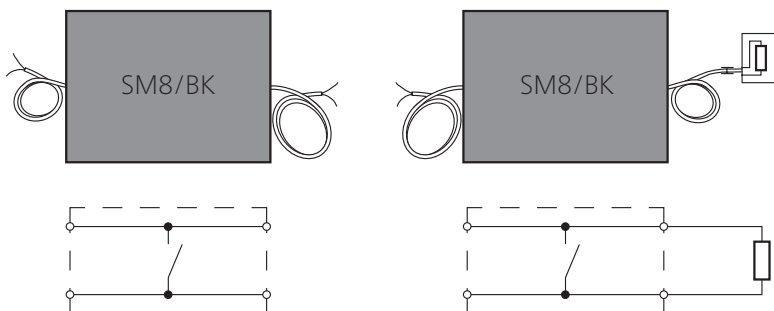
The monitoring resistor must be compatible with the control unit.
Standard value is 8k2.

For your safety:

Sensor and connecting cables are constantly monitored for function.
Monitoring is carried out by controlled bridging of the contact surfaces
with a monitoring resistor (closed current principle).

Design

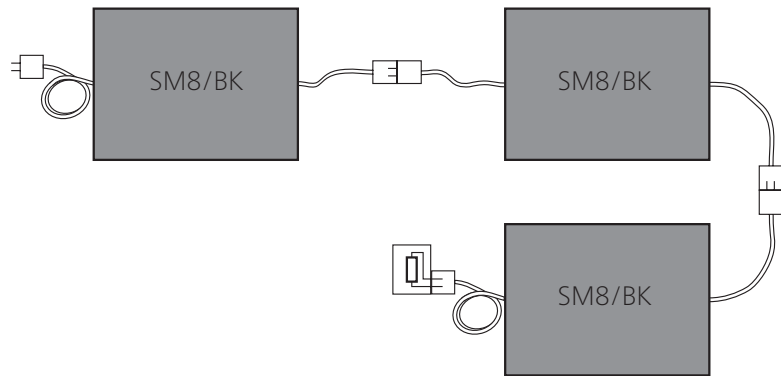
SM8/BK with cables on both sides as a through sensor or as an end sensor with external monitoring resistor



120319 v2.10-RIA

Subject to technical modifications.

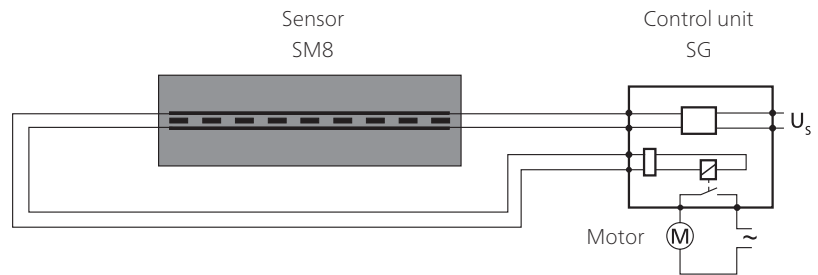
Combination of sensors



Combination:

- connection of more than one sensor
- only one control unit required
- individual design of control areas with regard to size and shape

Operation principle 4-wire-technology



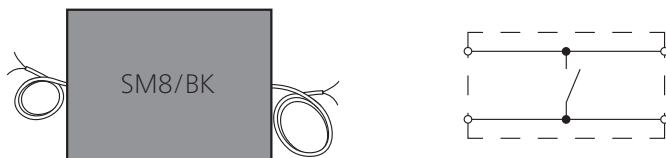
The 4-wire technology can be used only together with control unit SG-EFS 104/4L.

For your safety:

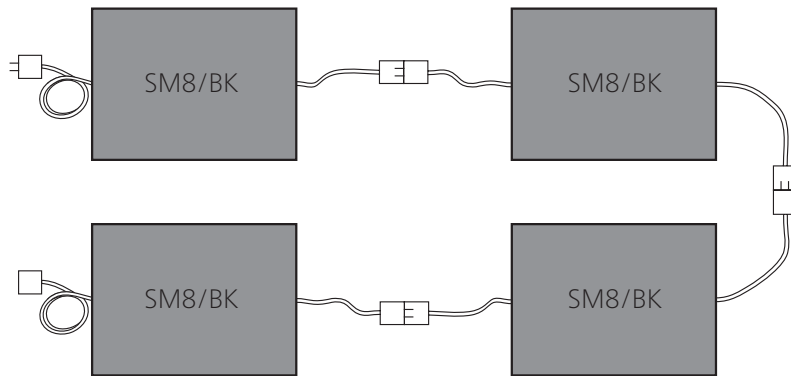
Sensor and connecting cables are constantly monitored for function. This is possible because of signal transmission feedback – without monitoring resistor.

Design

SM8/BK with cables on both sides as a through sensor



Subject to technical modifications.

Combination of sensors

Combination:

- connection of more than one sensor
- only one control unit required
- individual design of control areas with regard to size and shape

Safety

Intended use

A safety mat detects a person that is standing on or stepping onto it. It is a protective device covering a certain area and monitoring the presence of a person on it as a safety function. Its purpose is to prevent possible hazardous situations for personnel within a danger zone.

Typical applications are in the area of moving units on machines and plants.

Safe operation of a safety mat depends entirely on

- the surface condition of the mounting surface,
- the correct selection of size and resistance as well as
- correct installation.

This is shown clearly in Figures B.1 and B.2 in ISO 13856-1.

Due to the design, the visible actuation area is reduced by the non-sensitive edges. What remains is the actual effective actuation area (see chapter *Effective actuation area*).

Limits

- Max. 10 sensors type BK on one control unit
- System size max. 15 m²
= max. number × max. sensor size

Exclusions

Sensors are not suitable

- for detecting walking aids.
- for detecting individuals who weigh less than 20 kg.
- for navigating with industrial trucks.

Sensor combinations are not suitable

- for detecting individuals who weigh less than 35 kg.

Program selection

Sensors in the SM8 Safety mat programme are only available in rectangular shape. The surface is to a certain extent resistant to external influences and normal chemical influences.

If you have higher requirements of the sensors, we recommend our line of customised safety mats.

Other safety aspects

Performance Level (PL)

The PL was determined by means of a simplified process according to ISO 13849-1.

Exclusion of error according to ISO 13849-2, Table D.8: Non-closing of contacts in the case of pressure-sensitive safety devices according to ISO 13856. In this case, none of the sensor parameters are used for determining the PL. Assuming the control unit has a high $MTTF_d$ value, the entire safety mat system (pressure-sensitive safety device) can achieve the maximum value PL d.

Is the safeguard appropriate?

The PL required for the hazard must be decided by the integrator. This is followed by the choice of safeguard.

Finally, the integrator needs to check whether the category and PL of the safeguard chosen are appropriate.

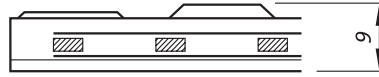
Risk and safety assessment

For the risk and safety assessment of your machine we recommend ISO 12100 „Safety of machinery – general principles for design“.

Without reset function

When a safeguard without reset function is used (automatic reset), the reset function must be made available in some other way.

Design



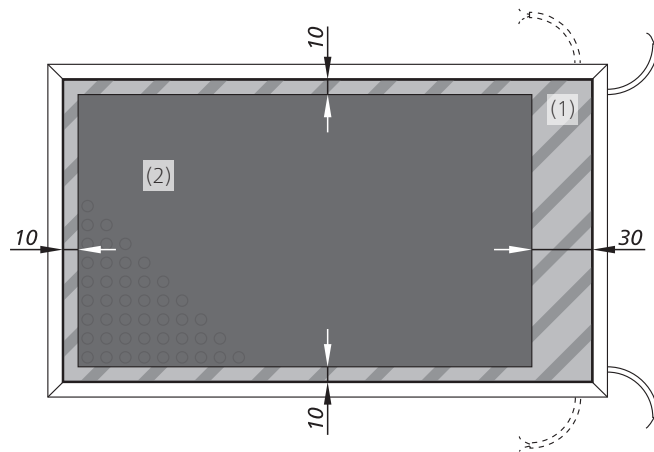
Standard version

Moulded onto a plastic plate. The surface structure created during casting ensures the necessary non-slip protection as well as mechanical protection.

Effective actuation area

A non-sensitive edge (1) surrounds the effective actuation area (2):

- 30 mm = on cable exit side
- 10 mm = on remaining three sides



The ramps around the edges are not included in determining the effective actuation area.

Combination of sensors

With a combination of sensors, only the sides with an edge area of 10 mm may be placed together.

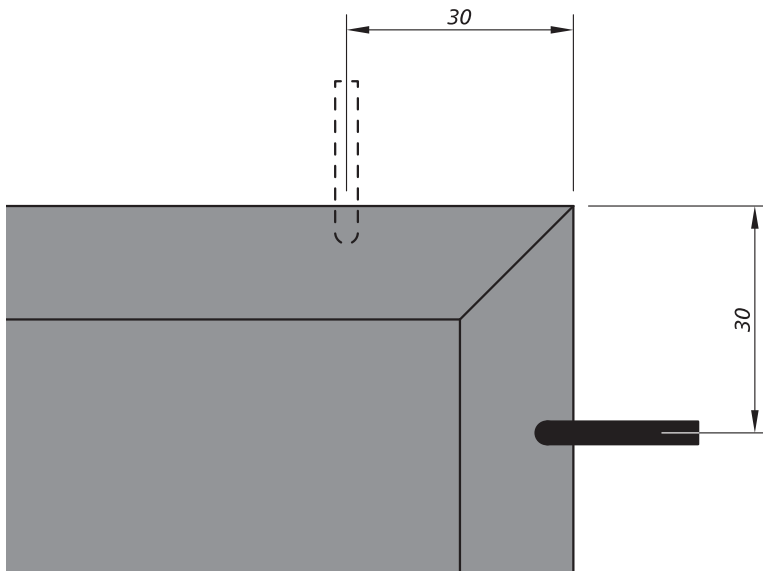
For sensor combinations, the integrated wheelchair ramps must be removed on these sides.

Connection

Cable exits

The cable exits are located at the corners.

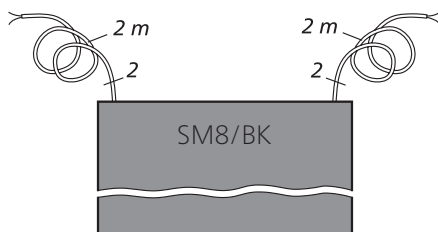
Two cable exits are available for each corner: either to the broad side or the longitudinal side (depth). The cable exit is cut free at the specified location during local installation.



Cable connection

- Standard cable lengths
 $L = 2,0 \text{ m}$
- Maximum total cable length to the control unit
 $L_{\text{max}} = 100 \text{ m}$

Sensor type BK with 2 lines



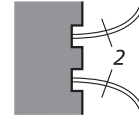
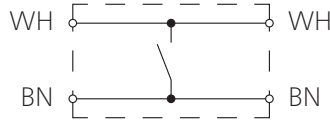
- as a feed-through sensor type BK
- without resistor
- Two 2-wire cables ($\varnothing 3,8 \text{ mm}$; $2 \times 0,25 \text{ mm}^2 \text{ Cu}$)

Wire colours

Sensor type BK with 2 lines

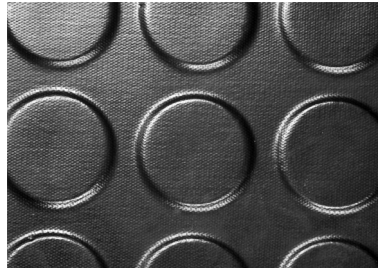
Colour coding

- BN Brown
- WH White



Sensor surface

The rubber nub structure is produced during the manufacturing process at the factory. It prevents slipping and provides mechanical protection. Further covering of the sensor is not necessary.



The condition for the resistances listed in the following (at room temperature 23 °C) is a sensor with an undamaged surface.

Physical resistance

Surface	PUR
IEC 60529: Degree of protection	IP65
DIN 53516: Abrasion	120 mg
DIN 51130: Non-Slip	R9
Static load (up to 8 h)	≤ 800 N/cm ²
DIN 4102: Behaviour in fire	B2
Stress when subjected to climate changes	+
UV-resistance	+

Explanation of symbols:

+ = resistant

Subject to technical modifications.

Chemical resistance

The sensor is resistant against normal chemical influences such as diluted acids and alkalis as well as alcohol over an exposure period of 24 hrs.

The specifications in the table are the result of tests conducted in our lab at room temperature (+23 °C). The suitability of our products for your special area of application must always be verified with your own practical tests.

Surface	PUR
Acetone	-
Formic acid 5 %	+
Ammonia	+
ATF gear oil	+
Brake fluid DOT 4	-
Cutting emulsion	+
Demineralised water	+
Diesel	±
Acetic acid 10 %	+
Ethanol	-
Greases	-
Hydraulic oil	+
Caustic potash solution 10 %	+
Saline solution 5 %	+
Cooling lubricant	±
Metal working oil	+
Methanol	-
Mineral oil	+
Caustic soda 10 %	±
Cellulose thinner	-
Hydrochloric acid 10 %	±
Salt water 10 %	+
Suds 5 %	+
White spirit (ethyl alcohol)	-
Universal thinner	-
Water	+
Petroleum ether / petrol	-
Citric acid 10 %	+
Drawing compound	-

Explanation of symbols:

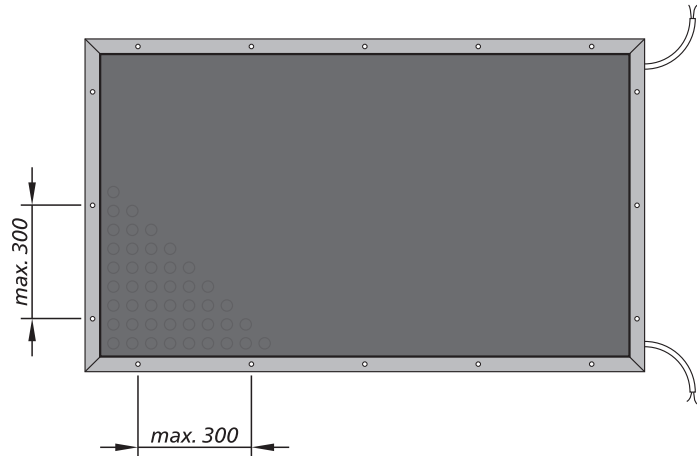
+ = resistant

± = resistant to a certain extent

- = not resistant

Attachment

The sensor has built-in ramps all around it in order to avoid the risk of tripping. Separate ramp edging is not required.



The sensor is fixed to the floor with screws, min. Ø 5 mm (recommended: flat head screws 6 x 50). These are not included in the standard delivery scope. The distance between screws must not exceed 300 mm.

Calculation of the necessary actuation area

- S = Minimum distance between the danger zone and the furthest edge of the sensor [mm]
- K = Approximation parameters [mm/s]
- T = Follow-through of the complete system [s]
- t_1 = Response time of the protective device
- t_2 = Stopping time of the machine
- C = Safety tolerance [mm]
- H = Step height [mm]

In accordance with ISO 13855, the necessary effective actuation area in relation to the danger area is calculated as follows:

$$S = (K \times T) + C \quad \text{where:} \quad K = 1600 \text{ mm/s}$$

$$T = t_1 + t_2$$

$$C = 1200 \text{ mm} - 0.4H$$

With installation at floor level

H = 0; hence:

$$S = (1600 \text{ mm/s} \times T) + 1200 \text{ mm}$$

With installation on a step

H ≠ 0; hence:

$$S = (1600 \text{ mm/s} \times T) + (1200 \text{ mm} - 0.4H)$$

Subject to technical modifications.

Calculation examples

Example 1

A safety mat detects non-permitted access to the danger zone of an automated movement. The mat is installed flush to the floor, i.e. $H = 0$. The follow-through time of the movement is 140 ms, the response time of the protective device is 38 ms.

$$S = (1600 \text{ mm/s} \times (140 \text{ ms} + 38 \text{ ms})) + 1200 \text{ mm}$$

$$S = 285 \text{ mm} + 1200 \text{ mm}$$

$$S = 1485 \text{ mm}$$

Example 2

The same conditions as Example 1, however, a step with a height of 150 mm must be negotiated to the danger zone.

$$S = (1600 \text{ mm/s} \times (140 \text{ ms} + 38 \text{ ms})) + (1200 - (0.4 \times 150)) \text{ mm}$$

$$S = (1600 \text{ mm/s} \times 0.178 \text{ s}) + (1200 - 60) \text{ mm}$$

$$S = 285 \text{ mm} + 1140 \text{ mm}$$

$$S = 1425 \text{ mm}$$

Maintenance and cleaning

The sensor is virtually maintenance-free.
The control unit also monitors the sensor.

Regular inspection

Depending on the utilisation, sensors must be inspected at regular intervals (at least monthly)

- for proper functioning,
- damage,
- and correct mounting.

Cleaning

If the sensors become dirty, they can be cleaned with a mild cleaning product.

Technical data

Safety mat	SM8/BK with SG-EFS 104/4L
Testing basis	ISO 13856-1
Switching characteristics at $v_{\text{Test}} = 250 \text{ mm/s}$	
Switching operations at 0.1 A	$> 4 \times 10^6$
Actuation forces	
Test piece \varnothing 80 mm	$< 300 \text{ N}$
Test piece \varnothing 200 mm	$< 600 \text{ N}$
Response time with control unit	38 ms
Safety classifications	
ISO 13856: Reset function	with/without
ISO 13849-1:2015	category 3 PL d
$MTTF_D$ (Pressure-sensitive protection device)	65 a
$MTTF_D$ (Sensor)	1142 a
B_{10D} (Sensor)	6×10^6
n_{op} (Acceptance)	52560 per year
Mechanical operating conditions	
Sensor size	max. 1.5 m ²
Static load (up to 8 h)	max. 800 N/cm ²
Driving on with industrial trucks	not suitable
Weight	13.0 kg/m ²
IEC 60529: Degree of protection	IP65
max. humidity (23 °C)	95 % (not-condensing)
Operating temperature	
single sensor	-25 to +55 °C
combined sensor	+5 to +55 °C
Storage temperature	-25 to +55 °C
Electrical operating conditions	
Connection cable	\varnothing 3.8 mm PVC 2x 0.25 mm ²
Sensor	DC 24 V / max. 100 mA
Number of BK type sensors	max. 10 in series
Dimensional tolerances	
Length dimension	ISO 2768-c
Perpendicularity	ISO 2768-c

Conformity

The CE symbol indicates that this Mayser product complies with the relevant EC directives and that the stipulated conformity assessments have been carried out.



The design type of the product complies with the basic requirements of the following directives:

- 2006/42/EC (Safety of machinery)
- 2014/30/EU (EMC)

The Declaration of Conformity is available in the download section of the website: www.mayser.com/en/downloads

Request for quotation

Submitted by

Company

Department

Surname, first name

P.O. Box

Postcode

Town/city

Street

Postcode

Town/city

Phone

Fax

E-mail

Fax:

+49 731 2061-222

Area of application

(e.g. metalworking, textile machines, timber processing, tube drawing, local public transport, ...)

Protection of the danger zone with:

- SM8/BK 750 × 1000 Quantity: _____
- SM8/BK 750 × 1250 Quantity: _____
- SM8/BK 750 × 1500 Quantity: _____
- SM8/BK 1000 × 1000 Quantity: _____
- SM8/BK 1000 × 1250 Quantity: _____
- SM8/BK 1000 × 1500 Quantity: _____

Area to be secured:

(Diagram incl. cable routing)

⤵ Please do not write ⤵
in this column!
For internal notes only



DIY Sensor profiles SP



EN | Product information

Mayser GmbH & Co. KG

Örlinger Straße 1-3

89073 Ulm

GERMANY

Phone: +49 731 2061-0

Fax: +49 731 2061-222

E-mail: info.ulm@mayser.com

Internet: www.mayser.com

Content

Overview	4
Materials list	6
Definitions	8
Pressure-sensitive protection device	8
Operation principle 2-wire-technology	9
Operation principle 4-wire-technology	10
Safety	12
Intended use	12
Limits	12
Exclusions	12
Other safety aspects	13
Design	13
Effective actuation area	14
Installation position	14
Connection	15
Cable exits	15
Cable connection	15
Wire colours.....	16
Sensor surface	16
Physical resistance.....	16
Chemical resistance	16
Attachment	18
Aluminium profiles: Overview of combinations	18
Aluminium profile C 15.....	19
Aluminium profile C 25.....	19
Aluminium profile C 25S	20
Aluminium profile C 25M.....	20
Aluminium profile C 30.....	21
Aluminium profile C 35.....	21
Maintenance and cleaning	22
Technical data	23
SK SP 17-3 TPE.....	23
SK SP 37-1 TPE.....	25
SK SP 37-3 TPE.....	27
SK SP 57-2 TPE.....	29

Copyright

The reproduction, distribution and utilization of this document as well as the communication of its contents without express authorization are prohibited. Offenders will be held liable for the payment of damages. All rights reserved in the event of the grant of a patent, utility model or design.

© Maysers Ulm 2019

SK SP 57L-2 TPE.....	31
SK SP 57-3 TPE.....	33
SK SP 67-2 TPE.....	35
Marking	37
Conformity	37
EC design test.....	37
UL certification.....	37

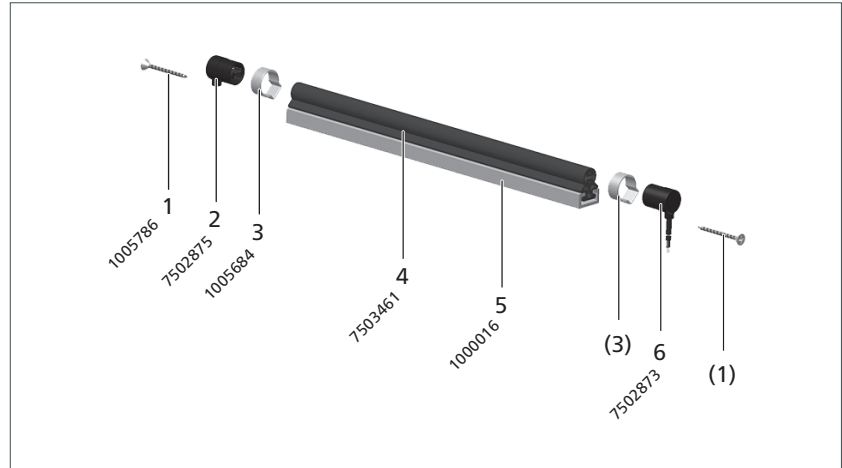
Overview

Contact profile – Sensor profile

The semi-finished contact profile (4) is cut to length and assembled with the other components. The functioning product is then called a sensor profile.

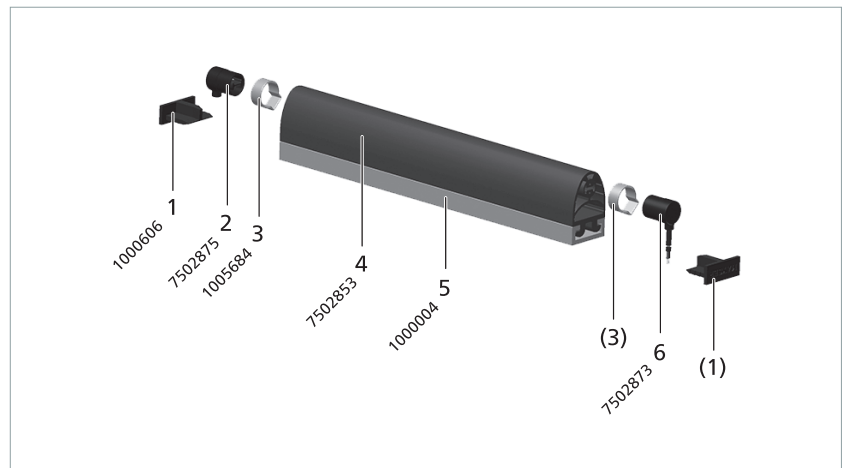
SP 17-3 without end caps

- 1 Countersunk tapping screw
- 2 Closing plug with resistor
- 3 Ear clamp
- 4 Contact profile
- 5 Aluminium profile
- 6 Closing plug with cable



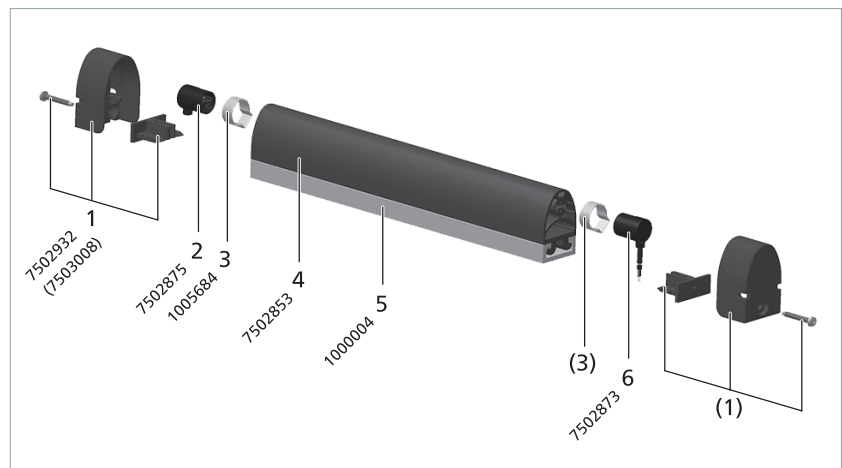
SP 37-1 with end caps

- 1 Set of end caps
- 2 Closing plug with resistor
- 3 Ear clamp
- 4 Contact profile
- 5 Aluminium profile
- 6 Closing plug with cable

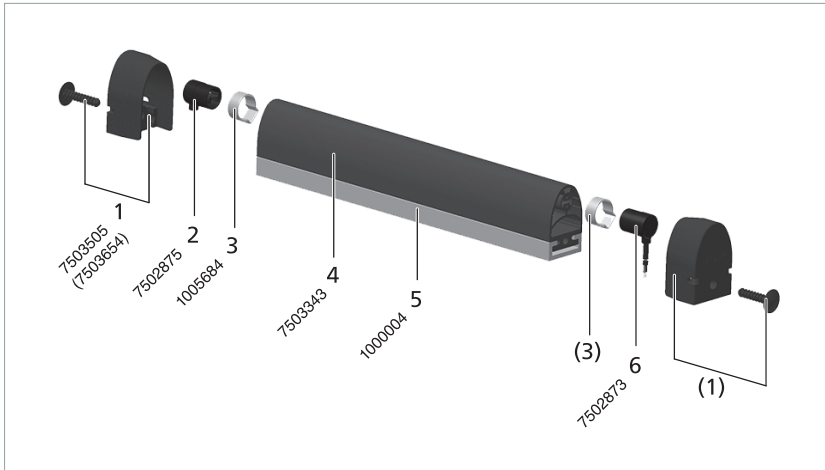


SP 37-1 without end caps

- 1 End stoppers
- 2 Closing plug with resistor
- 3 Ear clamp
- 4 Contact profile
- 5 Aluminium profile
- 6 Closing plug with cable

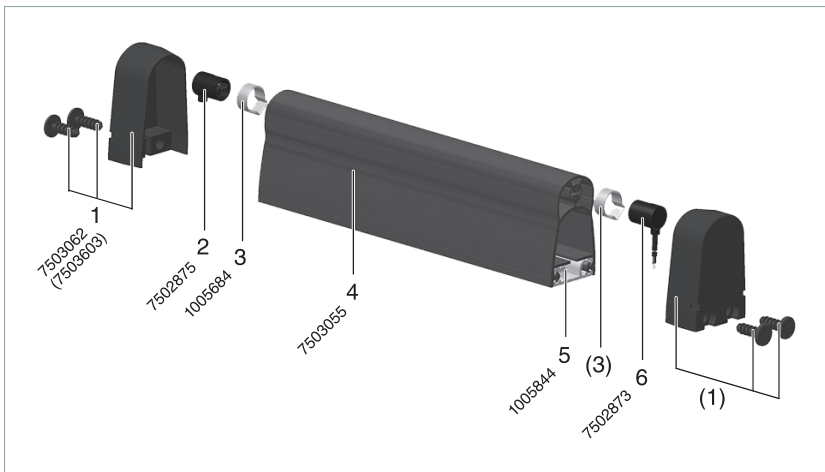


Subject to technical modifications.



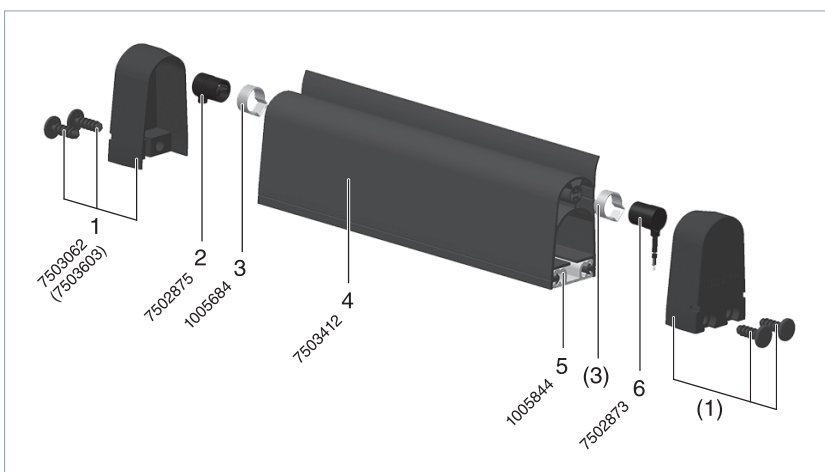
SP 37-3 with end caps

- 1 Set of end caps
- 2 Closing plug with resistor
- 3 Ear clamp
- 4 Contact profile
- 5 Aluminium profile
- 6 Closing plug with cable



SP 57-2 with end caps

- 1 Set of end caps
- 2 Closing plug with resistor
- 3 Ear clamp
- 4 Contact profile
- 5 Aluminium profile
- 6 Closing plug with cable

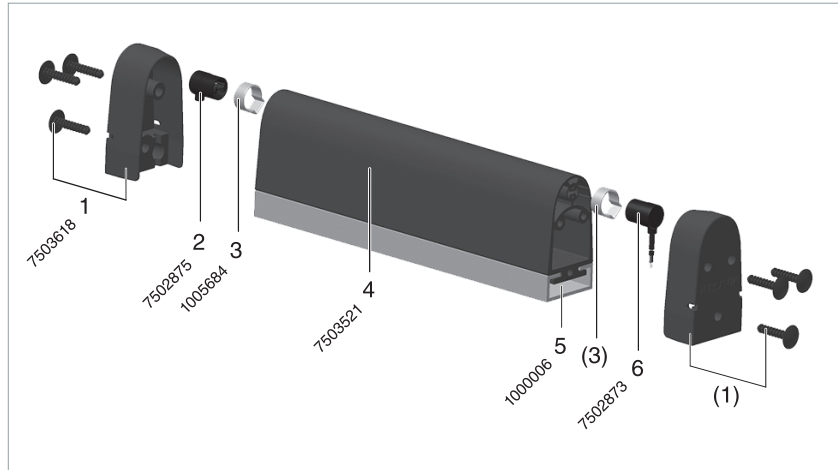


SP 57L-2 with end caps

- 1 Set of end caps
- 2 Closing plug with resistor
- 3 Ear clamp
- 4 Contact profile
- 5 Aluminium profile
- 6 Closing plug with cable

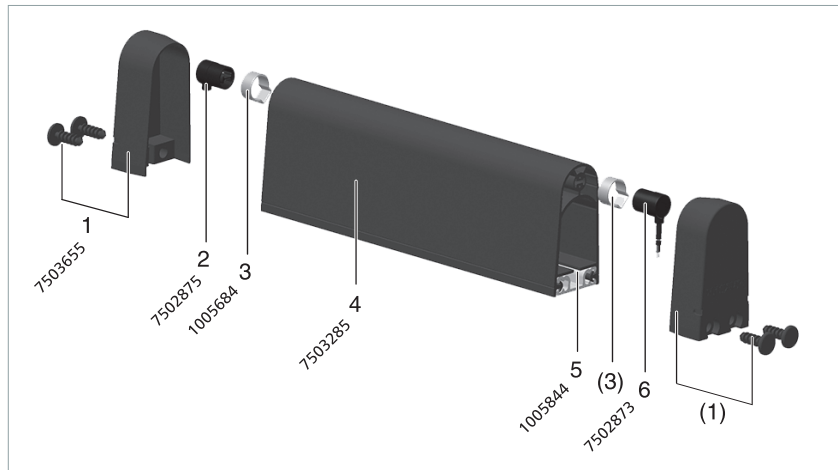
SP 57-3 with end caps

- 1 Set of end caps
- 2 Closing plug with resistor
- 3 Ear clamp
- 4 Contact profile
- 5 Aluminium profile
- 6 Closing plug with cable



SP 67-2 with end caps

- 1 Set of end caps
- 2 Closing plug with resistor
- 3 Ear clamp
- 4 Contact profile
- 5 Aluminium profile
- 6 Closing plug with cable



Materials list

Part No.	Designation	PU
7503461	Contact profile SP 17-3 TPE	80 m
7502853	Contact profile SP 37-1 TPE	30 m
7503343	Contact profile SP 37-3 TPE "black"	30 m
7503534	Contact profile SP 37-3 TPE "red"	30 m
7503055	Contact profile SP 57-2 TPE	30 m
7503412	Contact profile SP 57L-2 TPE	30 m
7503521	Contact profile SP 57-3 TPE	25 m
7503285	Contact profile SP 67-2 TPE	30 m
7502875	Closing plug with resistor 8k2	10 pc.
7502873	Closing plug with PUR cable 2.5 m, angled 90°	10 pc.
1005684	Ear clamp for closing plug	20 pc.

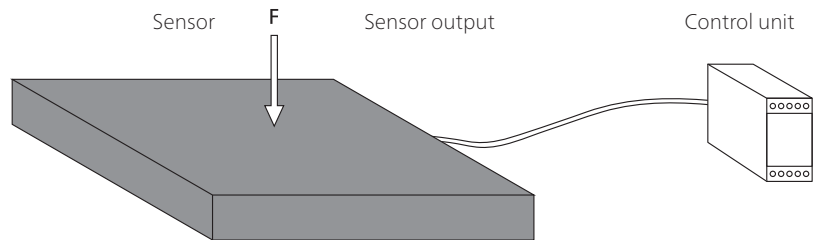
Subject to technical modifications.

Part No.	Designation	PU
7502932	End cap set "hard" for SP 37-1: each containing 2 hard end caps, fixing stoppers and screw 3.9x25	10 pc.
7503008	End cap set "soft" for SP 37-1: each containing 2 soft end caps, fixing stoppers and screw 3.9x25	10 pc.
7503505	End cap set "soft" for SP 37-3 "black": each containing 2 soft end caps and pine tree clip	10 pc.
7503654	End cap set "soft" for SP 37-3 "red": each containing 2 soft end caps and pine tree clip	10 pc.
7503062	End cap set "soft" for SP 57(L)-2: each containing 2 soft end caps, fixing stoppers and 4 screws 5x20	10 pc.
7503603	End cap set "soft" for SP 57(L)-2 with clip: each containing 2 soft end caps and 4 pine tree clips	10 pc.
7503618	End cap set "soft" for SP 57-3: each containing 2 soft end caps and 6 pine tree clips	10 pc.
7503655	End cap set "soft" for SP 67-2: each containing 2 soft end caps and 4 pine tree clips	10 pc.
1005786	Countersunk tapping screw 3.5x25 for SP 17-3	20 pc.
1000016	Aluminium profile C 15	6 m
1000854	Aluminium profile C 25M, upper section	6 m
1000855	Aluminium profile C 25M, lower section	6 m
1000012	Aluminium profile C 25S	6 m
1000004	Aluminium profile C 25	6 m
1005844	Aluminium profile C 30	6 m
1000006	Aluminium profile C 35	6 m
1001223	End stopper for C 25M, for SP without end caps	1 pc.
1000606	End stopper for C 25 or C 25S, for SP without end caps	1 pc.
1004988	Scissors with stop, cutting length 87 mm	1 pc.
7502868	Assembly aid SH3	1 pc.
1005741	Notching pliers Knipex 7742115	1 pc.
1005729	Vice-grip pliers Knipex System Oetiker 1099	1 pc.

Definitions

Pressure-sensitive protection device

A pressure-sensitive protection device consists of pressure-sensitive sensor(s), signal processing and output signal switching device(s). The control unit is made up of the signal processing and output signal switching device(s). The pressure-sensitive protection device is triggered when the sensor is activated.

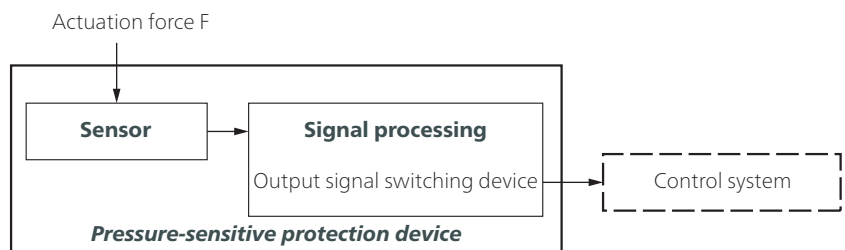


Sensor

The sensor is the part of the pressure-sensitive protection device that generates a signal when the actuating force F is applied. Mayser safety systems have a sensor whereby the actuating surface is deformed locally.

Signal processing

The signal processing is the part of the pressure-sensitive protection device that converts the output signal of the sensor and controls the status of the output signal switching device. The output signal switching device is that part of the signal processing which is connected to the machine controls and transmits safety output signals such as STOP.

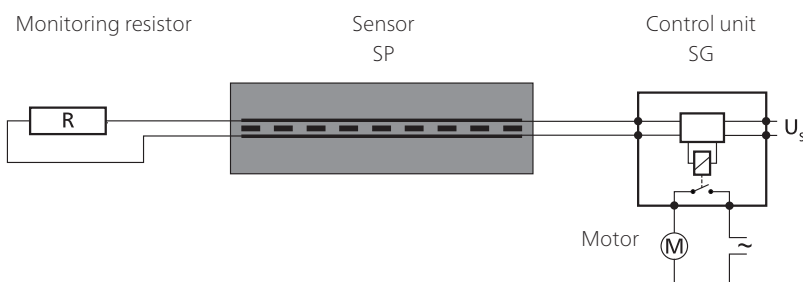


Tip: Terms are defined in ISO 13856-1, Chapter 3.

Criteria for selecting the sensor type

- Category according to ISO 13849-1
- Performance level of pressure-sensitive protection device = at least PL_r
- Temperature range
- Degree of protection in accordance with IEC 60529:
IP67 is the standard for safety edges.
Higher degrees of protection must be checked individually.
- Environmental influences such as swarf, oil, coolant, outdoor use...
- Finger detection necessary?

Operation principle 2-wire-technology



The monitoring resistor must be compatible with the control unit.
Standard value is 8k2.

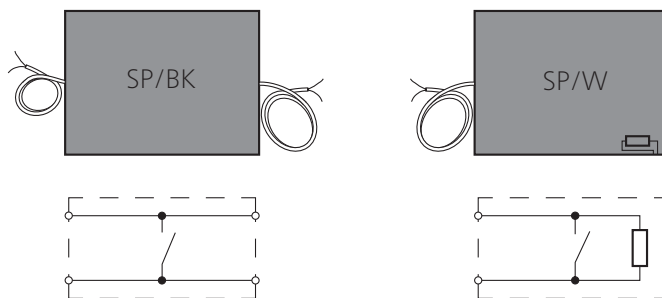
For your safety:

Sensor and connecting cables are constantly monitored for function.
Monitoring is carried out by controlled bridging of the contact surfaces with a monitoring resistor (closed current principle).

Design

SP/BK with cables on both sides as a through sensor or as an end sensor with external monitoring resistor

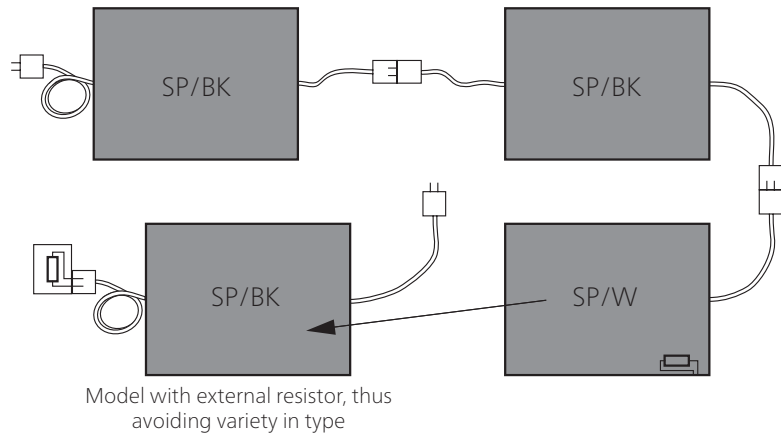
SP/W as an end sensor with integrated monitoring resistor



260319 v3.10-RIA

Subject to technical modifications.

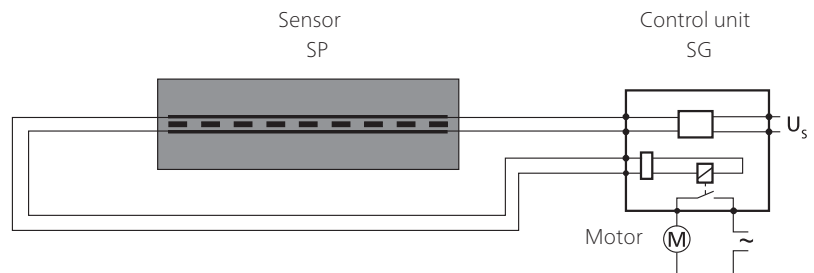
Combination of sensors



Combination:

- Connection of more than one sensor
- Only one control unit required
- Safety edge design with custom lengths and angles

Operation principle 4-wire-technology



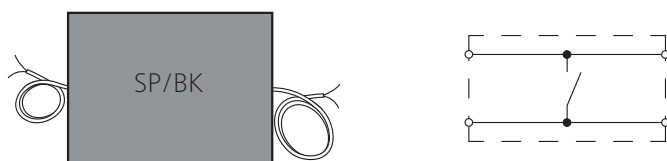
The 4-wire technology can be used only together with control unit SG-EFS 104/4L.

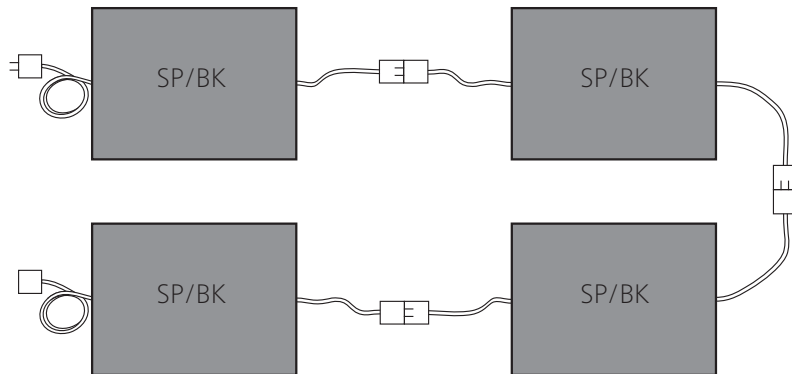
For your safety:

Sensor and connecting cables are constantly monitored for function. This is possible because of signal transmission feedback – without a monitoring resistor.

Design

SP/BK with cables on both sides as a through sensor



Combination of sensors

Combination:

- Connection of more than one sensor
- Only one control unit required
- Safety edge design with custom lengths and angles

Safety

Intended use

A safety edge detects a person or part of the body when pressure is applied to the actuation area. It is a linear tripping device. Its task is to avoid possible hazardous situations for a person within a danger zone, such as shearing and pinching edges.

Typical areas of application are door and gate systems, moving parts on machines, platforms and lifting devices.

Safe operation of a safety edge depends entirely on

- the surface condition of the mounting surface,
- the correct selection of the size and resistance as well as
- correct installation.

For additional application guidelines refer to ISO 13856-2 Annex E.

Due to the design, the visible actuation area is reduced by the non-sensitive edges. What remains is the actual effective actuation area (see chapter *Effective actuation area*).

Limits

- max. 3 sensors type BK on one control unit
 - max. 2 sensors type BK and 1 sensor type W on one control unit
- If more sensors are required, please contact Mayser's service department.

Exclusions

The sensors are not suitable for performing a sealing function. Constant actuation of sensors can result in permanent damage.

Exception: The L version with an attached edge seal.

The edge seal can be in full contact with the closing edge, which allows it to repel wind and water.

Other safety aspects

The following safety aspects relate to pressure-sensitive protection devices consisting of a sensor and a control unit

Performance Level (PL)

The PL was determined during a simplified procedure according to ISO 13849-1.

Fault exclusion according to ISO 13849-2 Table D.8: Non-closing of contact by pressure-sensitive equipment according to ISO 13856. In this case the sensor will no longer be taken into account in determining the PL. The entire pressure sensitive safety edge (Pressure-sensitive protection device) system can reach a maximum of PL d.

Is the safeguard appropriate?

The PL required for the hazard must be decided by the integrator. This is followed by the choice of safeguard.

Finally, the integrator needs to check whether the category and PL of the safeguard chosen are appropriate.

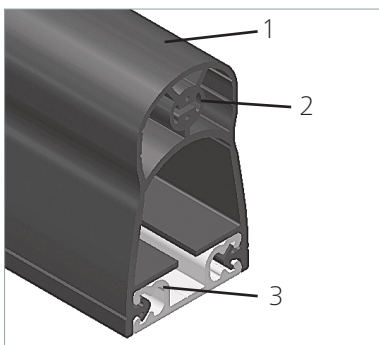
Risk and safety assessment

For the risk and safety assessment of your machine we recommend ISO 12100 „Safety of machinery – general principles for design“.

Without reset function

When a safeguard without a reset function is used (automatic reset), the reset function must be made available in some other way.

Design



The normally open safety edge SP consists of one sensor (1 to 3)
(1) Contact profile SP with
(2) integrated normally open safety element,
(3) Aluminium profile C 15, C 25 or C 30

Effective actuation area

The parameters X, Y, Z, L_{NE} and the angle α describe the effective actuation area.

For the effective actuation area, the following applies:

$$L_{WB} = L_{SP} - 2 \times L_{NE}$$

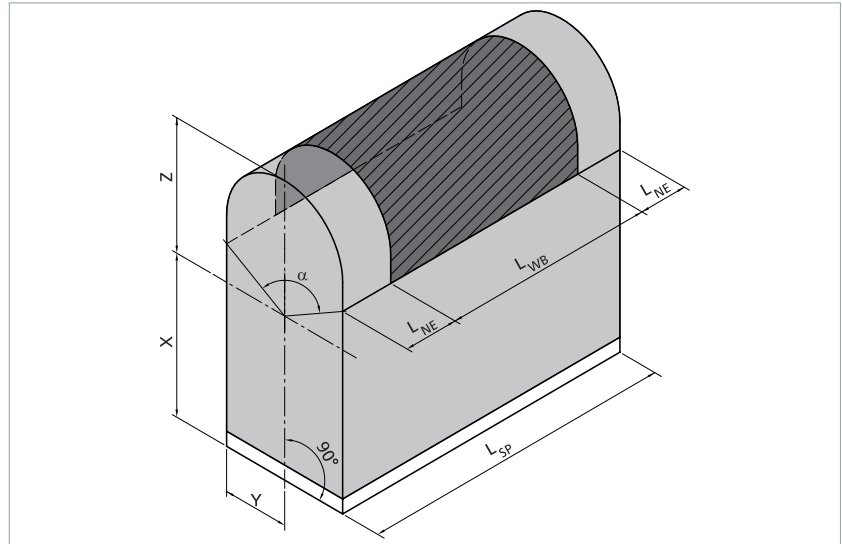
Parameters:

L_{WB} = effective actuation length

L_{SP} = total length of sensor profile

L_{NE} = non-sensitive length at end of sensor profile

α = effective actuation angle



	SP 17-3 ¹⁾	SP 37-1 ²⁾	SP 37-1 ³⁾	SP 37-1 ¹⁾	SP 37-3 ³⁾	SP 57-2 ³⁾	SP 57L-2 ³⁾	SP 57-3 ³⁾	SP 67-2 ³⁾
α	90°	100°	100°	100°	100°	90°	90°	90°	90°
L _{NE}	60 mm	60 mm	20 mm	20 mm	20 mm	10 mm ⁴⁾	10 mm ⁴⁾	10 mm ⁴⁾	20 mm ⁴⁾
X	7.3 mm	28 mm ⁵⁾	28 mm ⁵⁾	28 mm ⁵⁾	28 mm ⁵⁾	44 mm	44 mm	52 mm ⁶⁾	57.3 mm
Y	6.7 mm	12.5 mm	12.5 mm	12.5 mm	12.5 mm	17 mm	17 mm	17.5 mm	17 mm
Z	5 mm	9 mm	9 mm	9 mm	9 mm	12 mm	12 mm ⁷⁾	12 mm	10 mm

¹⁾ without end cap

²⁾ with hard end cap

³⁾ with soft end cap

⁴⁾ with finger protection

⁵⁾ including aluminium profile C 25

⁶⁾ including aluminium profile C 35

⁷⁾ without lip

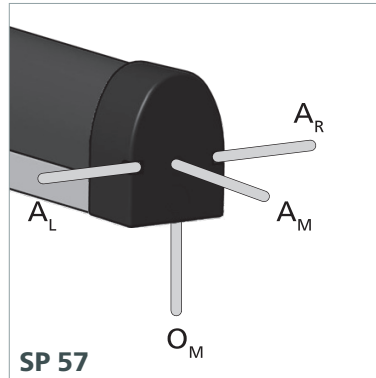
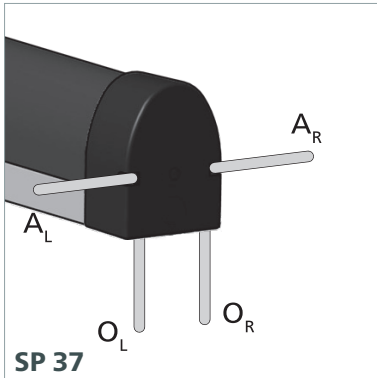
Installation position

The installation position can be selected as required, i.e. all installation positions A to D as per ISO 13856-2 are possible.

Subject to technical modifications.

Connection

Cable exits



Depending on the end cap, there are 6 possible cable exits.

- A = axial
- O = orthogonal
- L = left
- M = middle
- R = right

Cable connection

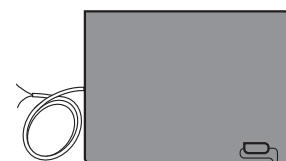
- Standard cable lengths
L = 2,5 m
- Maximum total cable length to the control unit
L_{max} = 100 m

Sensor type W

- As an individual sensor type W or an end sensor type W
- Integrated resistor
- 2-wire cable (Ø 2.9 mm PUR, 2x 0.25 mm² Cu)

Sensor type BK with 2 lines

- As a feed-through sensor type BK
- Without resistor
- 2 two-wire cables (Ø 2.9 mm PUR, 2x 0.25 mm² Cu)

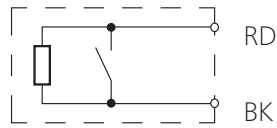


Wire colours

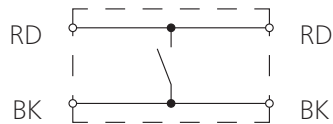
Colour coding

BK Black
RD Red

Sensor type W



Sensor type BK with 2 lines



Sensor surface

Physical resistance

Sensor profile SP	TPE
IEC 60529: Degree of protection UV-resistance	IP67 yes

Chemical resistance

The sensor is resistant against normal chemical influences such as diluted acids and alkalis as well as alcohol over an exposure period of 24 hrs.

The specifications in the table are the result of tests conducted in our lab at room temperature (+23 °C). The suitability of our products for your special area of application must always be verified with your own practical tests.

Subject to technical modifications.

Material	TPE
Acetone	-
Formic acid	-
Armor All	+
Car shampoo	+
Petrol	-
Brake fluid	+
Buraton	+
Butanol	-
Sodium hypochlorite	-
Disinfectant 1 %	+
Diesel	-
Acetic acid 10 %	-
Ethanol	+
Ethyl acetate	-
Ethylene glycol	+
Greases	±
Anti-frost agent	+
Skin cream	+
Icidine	+
Incidine	+
Incidine plus	+
Cooling lubricant	-
Plastic cleaner	+
Lyso FD 10	+
Metal working oil	-
Microbac	+
Microbac forte	+
Minutil	+
Saline solution 5 %	+
White spirit (ethyl alcohol)	+
Terralin	+
Centring oil	-

Explanation of symbols:

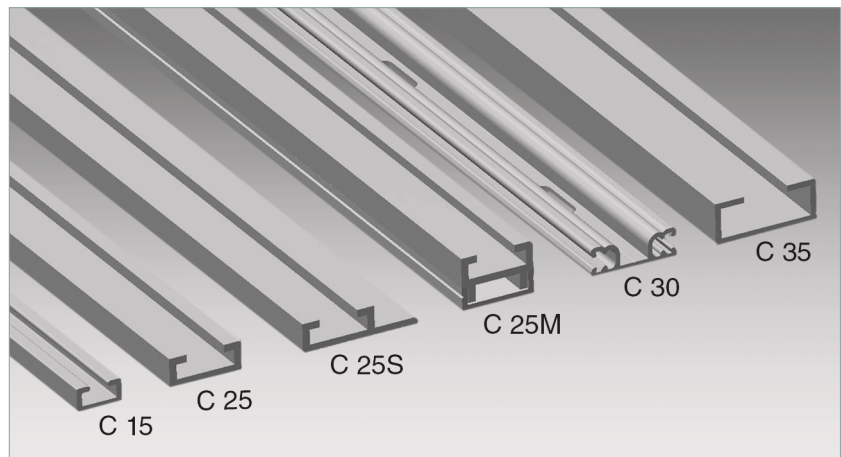
+ = resistant

± = resistant to a certain extent

- = not resistant

Attachment

Sensor Profiles SP are mounted directly onto the main and secondary closing edges that present a danger. They are mounted using the aluminium profile C 15, the aluminium profiles from the C 25 aluminium profile range and also the C 30 aluminium profile. Mount the aluminium profiles with M5 screws or rivets.






Material properties

- AlMgSi0.5 F22
- wall thickness at least 2.0 mm
C 30: at least 1.5 mm
C 15: mind. 1.7 mm
- hot hardened
- extruded
- tolerances as per EN 755-9

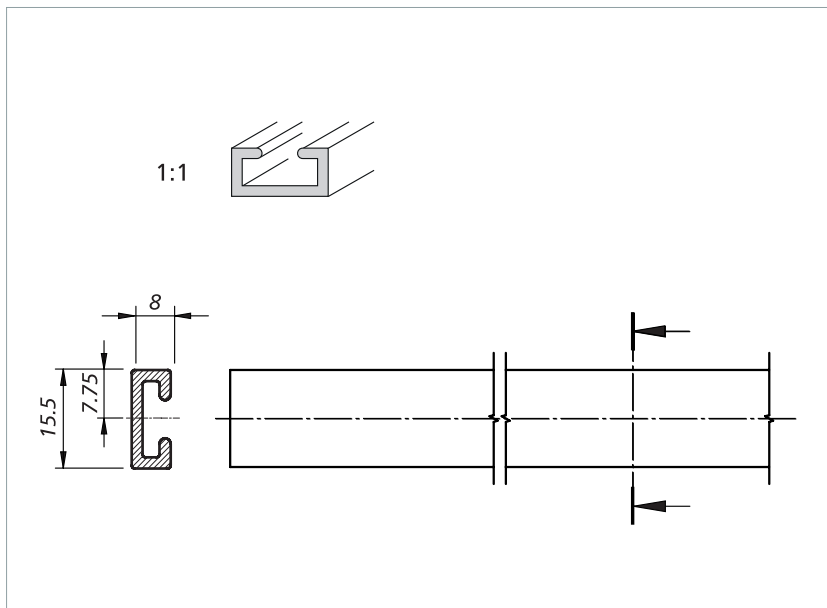
Aluminium profiles:

Overview of combinations

Aluminium profiles for		SP 17-3	SP 37-1	SP 37-3	SP 57-2	SP 57L-2	SP 57-3	SP 67-2
Snap-in foot (middle)	...-1 	–	C 25, C 25S, C 25M	–	–	–	–	–
Clip bar (outside)	...-2 	–	–	–	C 30	C 30	–	C 30
T-foot (middle)	...-3 	C 15	–	C 25, C 25S, C 25M	–	–	C 35	–

Subject to technical modifications.

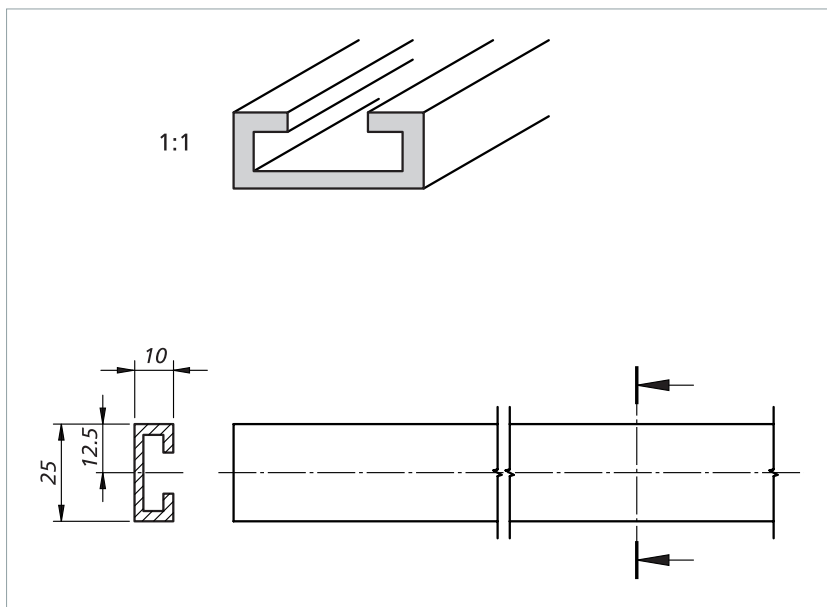
Aluminium profile C 15



Standard profile for SP 17-3:

First the aluminium profile must be mounted onto the closing edge and then the sensor profile clipped into the aluminium profile.

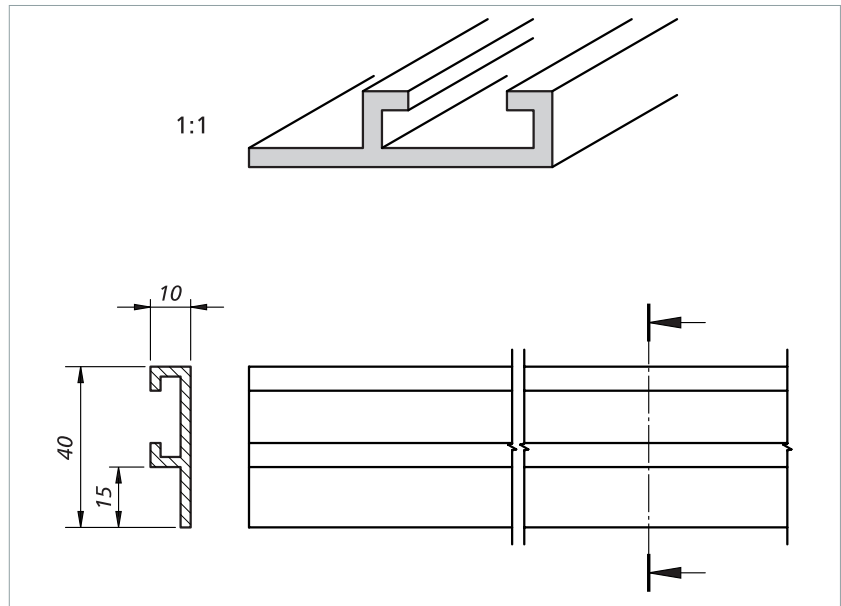
Aluminium profile C 25



Standard profile for SP 37-1 and SP 37-3:

First the aluminium profile must be mounted onto the closing edge and then the sensor profile clipped into the aluminium profile.

Aluminium profile C 25S

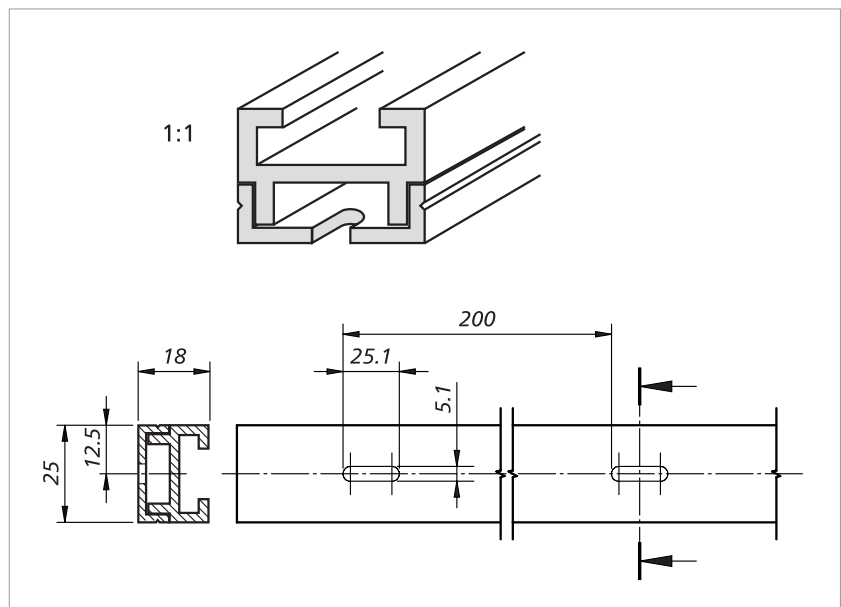


Flange profile for SP 37-1 and SP 37-3:

Final assembly is also possible when the sensor profile is already clipped into the aluminium profile.

Due to the flange, **no hard end caps** can be installed here. Soft end caps must be cut in.

Aluminium profile C 25M

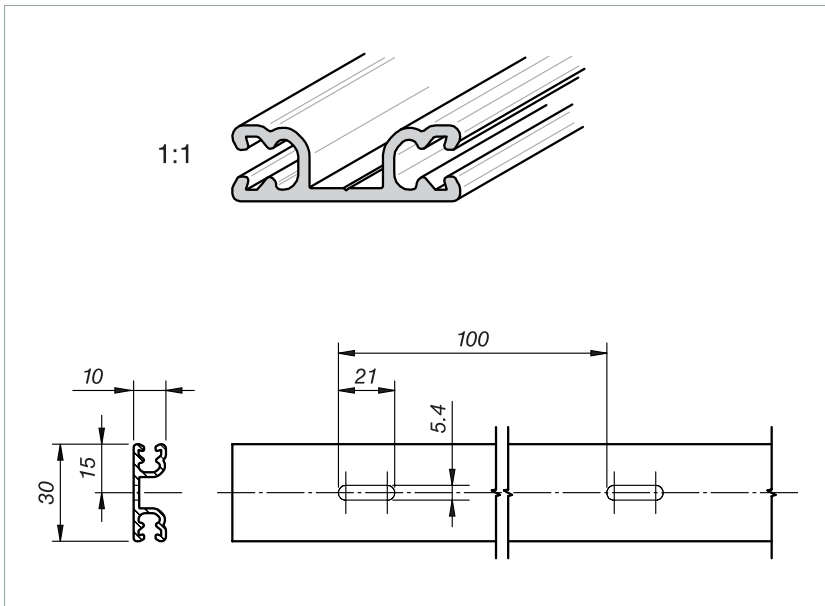


Two-part profile for SP 37-1 and SP 37-3:

For convenient assembly and disassembly. The sensor profile is clipped into the upper section and the upper section inserted into the installed lower section and fastened.

Subject to technical modifications.

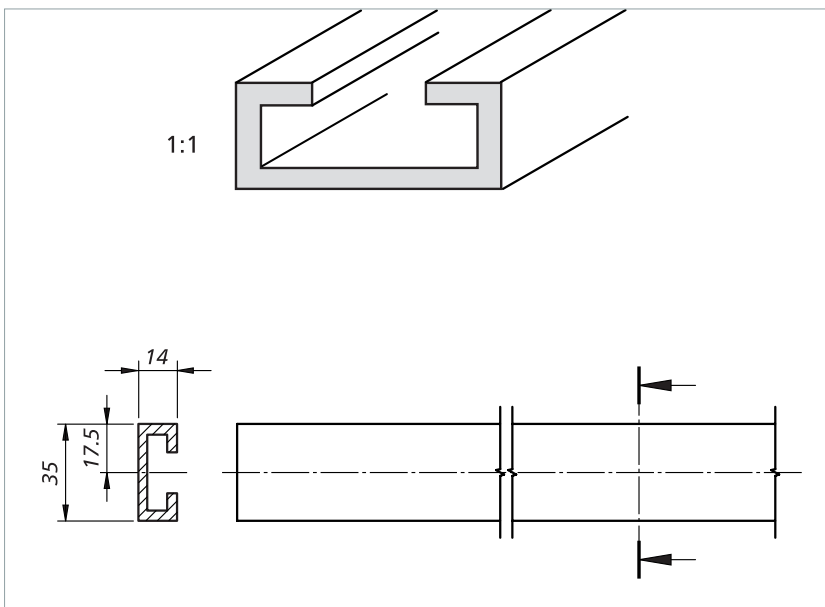
Aluminium profile C 30



Standard profile for SP 57(L)-2 and SP 67-2:

First the aluminium profile must be mounted onto the closing edge and then the sensor profile clipped into the aluminium profile.

Aluminium profile C 35



Standard profile for SP 57-3:

First the aluminium profile must be mounted onto the closing edge and then the sensor profile clipped into the aluminium profile.

Maintenance and cleaning

The sensors are virtually maintenance-free.
The control unit also monitors the sensor.

Regular inspection

Depending on the utilisation, sensors must be inspected at regular intervals (at least monthly)

- for proper functioning,
- damage,
- and correct mounting.

Cleaning

If the sensors become dirty, they can be cleaned with a mild cleaning product.

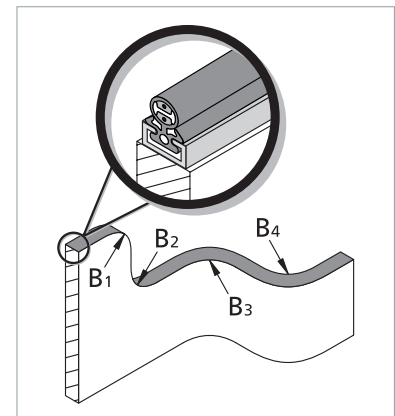
Technical data

SK SP 17-3 TPE

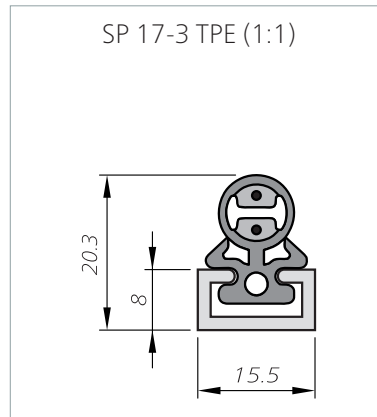
Sensor profile SP manufactured without end caps.

Sensor profile (without sensor)	SK SP/W 17-3 TPE or SK SP/BK 17-3 TPE
Test principles	EN 12978, ISO 13849-1, ISO 13856-2
Switching characteristics at $v_{\text{test}} = 10 \text{ mm/s}$	
Switching operations	10,000
Actuation force	
Test piece $\varnothing 20 \text{ mm}$	< 50 N
Test piece (cylinder) $\varnothing 80 \text{ mm}$	< 150 N
Actuation distance	
Test piece (cylinder) $\varnothing 80 \text{ mm}$	1.5 mm
Actuation angle	
Test piece (cylinder) $\varnothing 80 \text{ mm}$	$\pm 45^\circ$
Finger detection	yes
Safety classifications	
ISO 13849-1: B_{10D}	2×10^6
Mechanical operating conditions	
Sensor length (min./max.)	10 cm / 80 m
Cable length (min./max.)	10 cm / 200 m
Bend radii, minimal	
$B_1 / B_2 / B_3 / B_4$	200 / 200 / 50 / 50 mm
Operating speed	
(min. / max.)	10 mm/s / 10 mm/s
Tensile load, cable (max.)	600 N
IEC 60529: Degree of protection	IP67
Operating temperature	
short-term (15 min)	-25 to +55 °C
Storage temperature	-40 to +80 °C
Weight (without/with aluminium profile)	0.12 / 0.26 kg/m
Electrical operating conditions	
Terminal resistance	$8k2 \pm 1 \%$
Rated capacity (max.)	250 mW
Contact transition resistance	< 400 Ohm (per sensor)
Number of sensors type BK	max. 3 in series (for more information refer to the chapter <i>Limits</i>)
Switching voltage (max.)	DC 24 V
Switching current (min. / max.)	1 mA / 10 mA
Connection cable	$\varnothing 2.9 \text{ mm PUR } 2 \times 0.25 \text{ mm}^2$
Dimensional tolerances	
Length according to	ISO 3302 L2
Profile section according to	ISO 3302 E2

Bend radii:



Dimensions and distances



Dimensional tolerances according to ISO 3302 E2/L2.

Test conditions

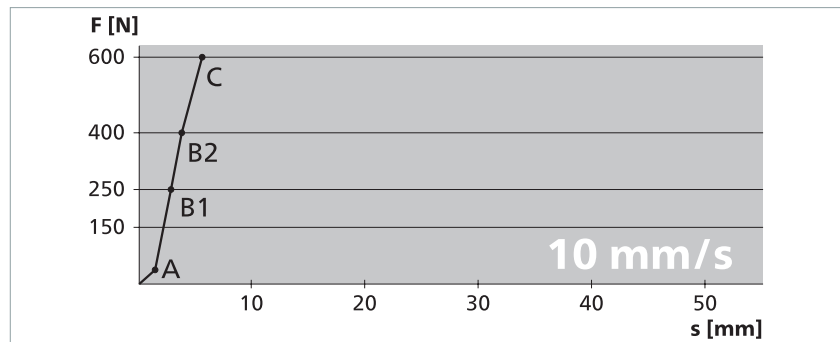
according to ISO 13856-2

- Installation position B
- Temperature +20 °C
- Measurement point c3
- Test sample 1 with Ø 80 mm
- without control unit

All the data given here has been verified by Mayser GmbH & Co. KG.

Force-distance ratios

Actuation force	38 N
Response time	140 ms
Actuation distance (A)	1.4 mm
Overtravel distance	
up to 250 N (B1)	1.4 mm
up to 400 N (B2)	2.3 mm
up to 600 N (C)	4.1 mm
Total deformation	5.5 mm



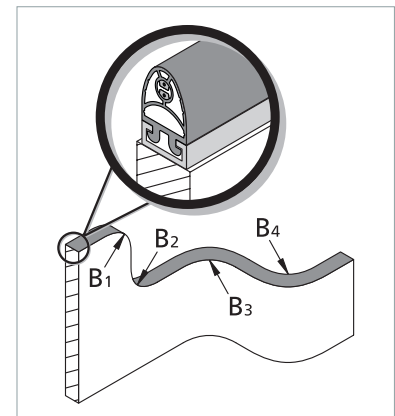
Technical data

SK SP 37-1 TPE

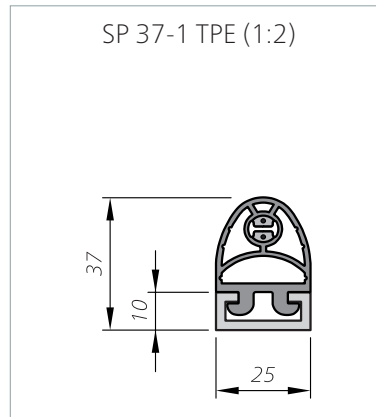
Sensor profile SP manufactured with or without end caps

Sensor profile (without sensor)	SK SP/W 37-1 TPE or SK SP/BK 37-1 TPE
Test principles	EN 12978, ISO 13849-1, ISO 13856-2
Switching characteristics at $v_{test} = 100 \text{ mm/s}$	
Switching operations	10,000
Actuation force	
Test piece Ø 20 mm	< 50 N
Test piece (cylinder) Ø 80 mm	< 150 N
Actuation distance	
Test piece (cylinder) Ø 80 mm	6 mm
Actuation angle	
Test piece (cylinder) Ø 80 mm	±50°
Finger detection	yes
Safety classifications	
ISO 13849-1: B _{10D}	2 × 10 ⁶
Mechanical operating conditions	
Sensor length (min./max.)	10 cm / 30 m
Cable length (min./max.)	10 cm / 200 m
Bend radii, minimal	
B ₁ / B ₂ / B ₃ / B ₄	500 / 500 / 200 / 200 mm
Operating speed (min. / max.)	10 mm/s / 200 mm/s
Tensile load, cable (max.)	600 N
IEC 60529: Degree of protection	IP67
Operating temperature	-25 to +55 °C
short-term (15 min)	-40 to +80 °C
Storage temperature	-40 to +80 °C
Weight (without/with aluminium profile)	0.32 / 0.62 kg/m
Electrical operating conditions	
Terminal resistance	8k2 ± 1 %
Rated capacity (max.)	250 mW
Contact transition resistance	< 400 Ohm (per sensor)
Number of sensors type BK	max. 3 in series (for more information refer to the chapter <i>Limits</i>)
Switching voltage (max.)	DC 24 V
Switching current (min. / max.)	1 mA / 10 mA
Connection cable	Ø 2.9 mm PUR 2 × 0.25 mm ²
Dimensional tolerances	
Length according to	ISO 3302 L2
Profile section according to	ISO 3302 E2

Bend radii:



Dimensions and distances



Dimensional tolerances according to ISO 3302 E2/L2.

Test conditions

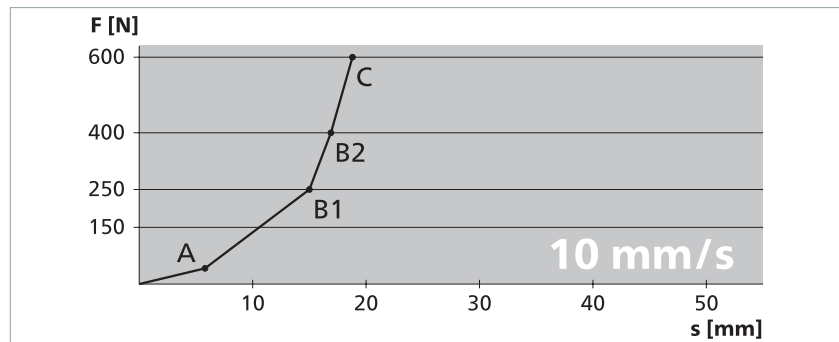
according to ISO 13856-2

- Installation position B
- Temperature +20 °C
- Measurement point c3
- Test sample 1 with Ø 80 mm
- without control unit

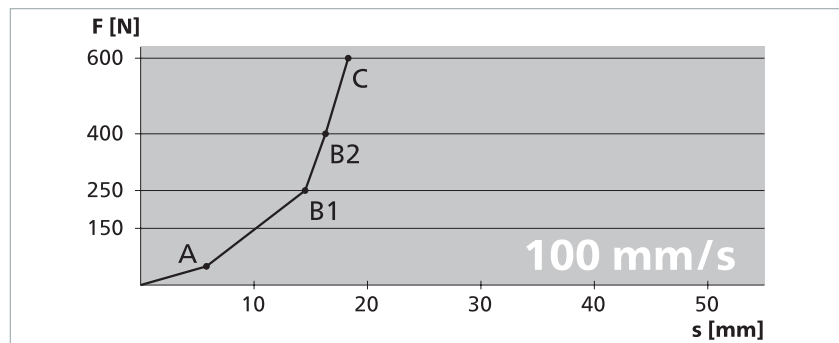
All data stated here is documented in EC design type test certificates.

Force-distance ratios

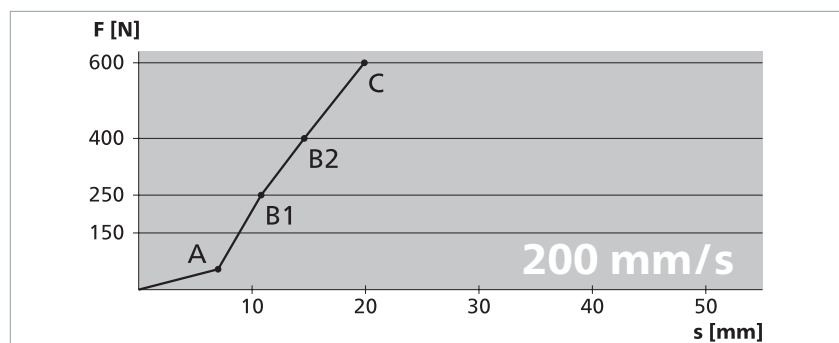
Actuation force	42 N
Response time	580 ms
Actuation distance (A)	5.8 mm
Overtravel distance	
up to 250 N (B1)	9.2 mm
up to 400 N (B2)	11.1 mm
up to 600 N (C)	13.0 mm
Total deformation	18.8 mm



Actuation force	50 N
Response time	58 ms
Actuation distance (A)	5.8 mm
Overtravel distance	
up to 250 N (B1)	8.7 mm
up to 400 N (B2)	10.5 mm
up to 600 N (C)	12.5 mm
Total deformation	18.3 mm



Actuation force	54 N
Response time	35 ms
Actuation distance (A)	7.0 mm
Overtravel distance	
up to 250 N (B1)	3.8 mm
up to 400 N (B2)	7.6 mm
up to 600 N (C)	12.9 mm
Total deformation	19.9 mm



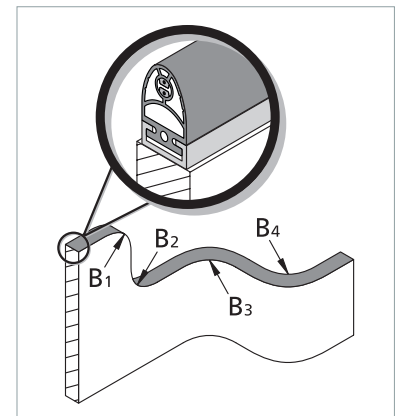
Technical data

SK SP 37-3 TPE

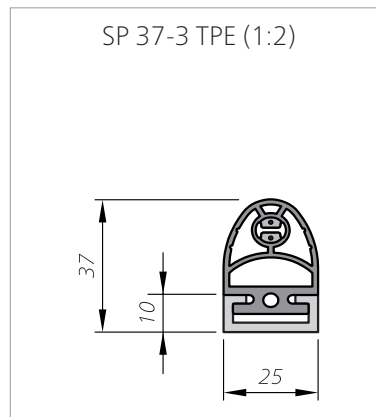
Sensor profile SP manufactured with end caps.

Sensor profile (without sensor)	SK SP/W 37-3 TPE or SK SP/BK 37-3 TPE
Test principles	EN 12978, ISO 13849-1, ISO 13856-2
Switching characteristics at $v_{test} = 100 \text{ mm/s}$	
Switching operations	10,000
Actuation force	
Test piece Ø 20 mm	< 50 N
Test piece (cylinder) Ø 80 mm	< 150 N
Actuation distance	
Test piece (cylinder) Ø 80 mm	6 mm
Actuation angle	
Test piece (cylinder) Ø 80 mm	±50°
Finger detection	yes
Safety classifications	
ISO 13849-1: B_{10D}	2×10^6
Mechanical operating conditions	
Sensor length (min./max.)	10 cm / 30 m
Cable length (min./max.)	10 cm / 200 m
Bend radii, minimal	
$B_1 / B_2 / B_3 / B_4$	500 / 500 / 200 / 200 mm
Operating speed	
(min. / max.)	10 mm/s / 200 mm/s
Tensile load, cable (max.)	600 N
IEC 60529: Degree of protection	IP67
Operating temperature	
short-term (15 min)	-25 to +55 °C
Storage temperature	-40 to +80 °C
Weight (without/with aluminium profile)	0.32 / 0.62 kg/m
Electrical operating conditions	
Terminal resistance	$8k2 \pm 1 \%$
Rated capacity (max.)	250 mW
Contact transition resistance	< 400 Ohm (per sensor)
Number of sensors type BK	max. 3 in series (for more information refer to the chapter <i>Limits</i>)
Switching voltage (max.)	DC 24 V
Switching current (min. / max.)	1 mA / 10 mA
Connection cable	Ø 2.9 mm PUR 2x 0.25 mm ²
Dimensional tolerances	
Length according to	ISO 3302 L2
Profile section according to	ISO 3302 E2

Bend radii:



Dimensions and distances



Dimensional tolerances according to ISO 3302 E2/L2.

Test conditions

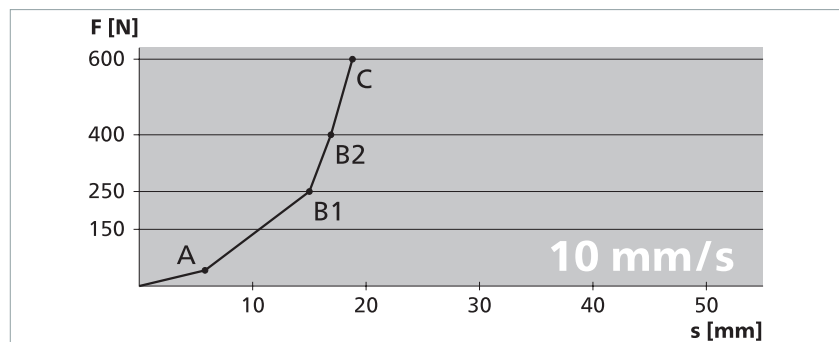
according to ISO 13856-2

- Installation position B
- Temperature +20 °C
- Measurement point c3
- Test sample 1 with Ø 80 mm
- without control unit

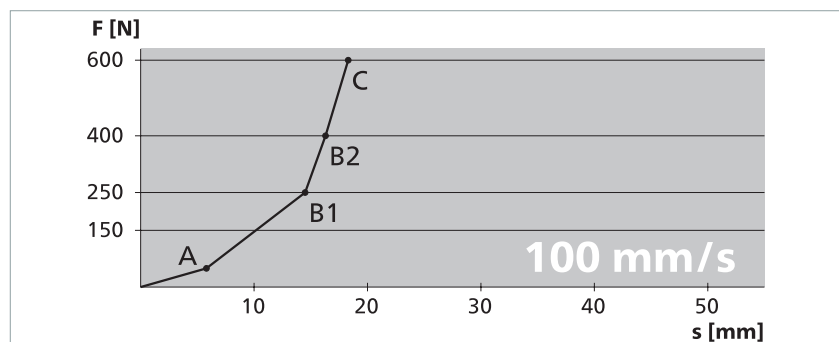
All data stated here is documented in EC design type test certificates.

Force-distance ratios

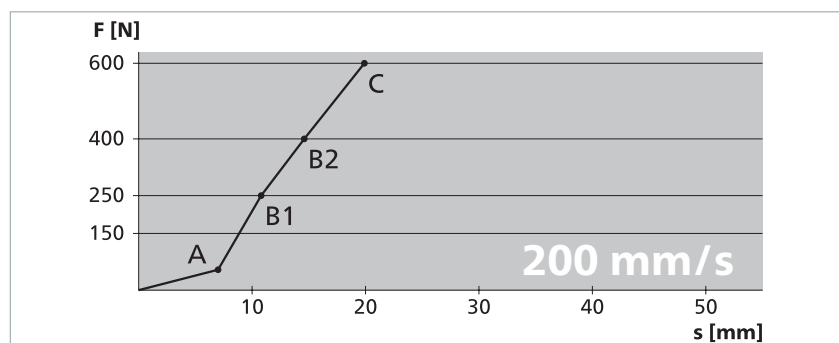
Actuation force	42 N
Response time	580 ms
Actuation distance (A)	5.8 mm
Overtravel distance	
up to 250 N (B1)	9.2 mm
up to 400 N (B2)	11.1 mm
up to 600 N (C)	13.0 mm
Total deformation	18.8 mm



Actuation force	50 N
Response time	58 ms
Actuation distance (A)	5.8 mm
Overtravel distance	
up to 250 N (B1)	8.7 mm
up to 400 N (B2)	10.5 mm
up to 600 N (C)	12.5 mm
Total deformation	18.3 mm



Actuation force	54 N
Response time	35 ms
Actuation distance (A)	7.0 mm
Overtravel distance	
up to 250 N (B1)	3.8 mm
up to 400 N (B2)	7.6 mm
up to 600 N (C)	12.9 mm
Total deformation	19.9 mm



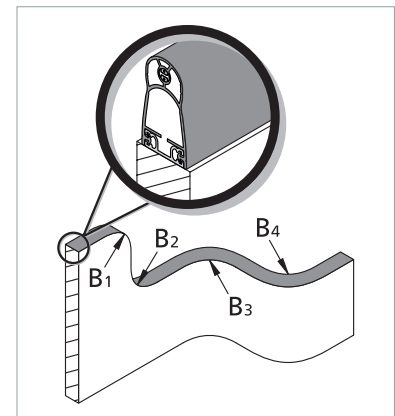
Technical data

SK SP 57-2 TPE

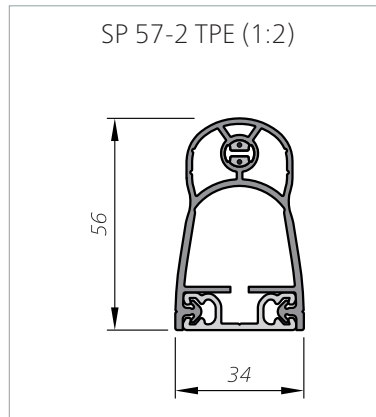
Sensor profile SP manufactured with end caps.

Sensor profile (without sensor)	SK SP/W 57-2 TPE or SK SP/BK 57-2 TPE
Test principles	EN 12978, ISO 13849-1, ISO 13856-2
Switching characteristics at $v_{test} = 100 \text{ mm/s}$	
Switching operations	10,000
Actuation force	
Test piece $\varnothing 20 \text{ mm}$	< 50 N
Test piece (cylinder) $\varnothing 80 \text{ mm}$	< 150 N
Actuation distance	
Test piece (cylinder) $\varnothing 80 \text{ mm}$	8 mm
Actuation angle	
Test piece (cylinder) $\varnothing 80 \text{ mm}$	$\pm 45^\circ$
Finger detection	yes
Safety classifications	
ISO 13849-1: B_{10D}	2×10^6
Mechanical operating conditions	
Sensor length (min./max.)	10 cm / 30 m
Cable length (min./max.)	10 cm / 200 m
Bend radii, minimal	
$B_1 / B_2 / B_3 / B_4$	1000 / 1000 / 200 / 200 mm
Operating speed	
(min. / max.)	10 mm/s / 200 mm/s
Tensile load, cable (max.)	600 N
IEC 60529: Degree of protection	IP67
Operating temperature	
short-term (15 min)	-25 to +55 °C
Storage temperature	-40 to +80 °C
Weight (without/with aluminium profile)	0.40 / 0.70 kg/m
Electrical operating conditions	
Terminal resistance	$8k2 \pm 1 \%$
Rated capacity (max.)	250 mW
Contact transition resistance	< 400 Ohm (per sensor)
Number of sensors type BK	max. 3 in series (for more information refer to the chapter <i>Limits</i>)
Switching voltage (max.)	DC 24 V
Switching current (min. / max.)	1 mA / 10 mA
Connection cable	$\varnothing 2.9 \text{ mm PUR } 2 \times 0.25 \text{ mm}^2$
Dimensional tolerances	
Length according to	ISO 3302 L2
Profile section according to	ISO 3302 E2

Bend radii:



Dimensions and distances



Dimensional tolerances according to ISO 3302 E2/L2.

Test conditions

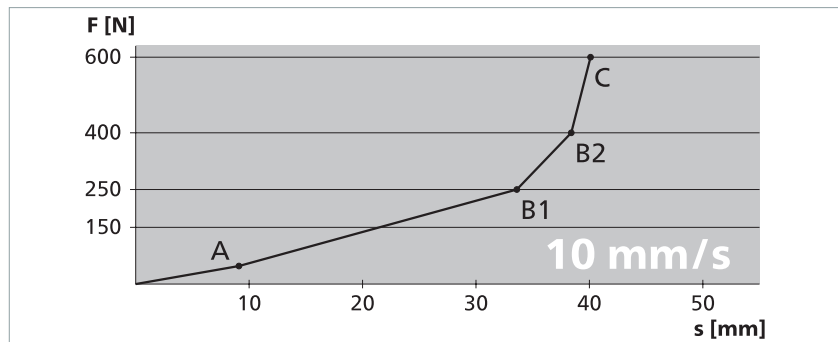
according to ISO 13856-2

- Installation position B
- Temperature +20 °C
- Measurement point c3
- Test sample 1 with Ø 80 mm
- without control unit

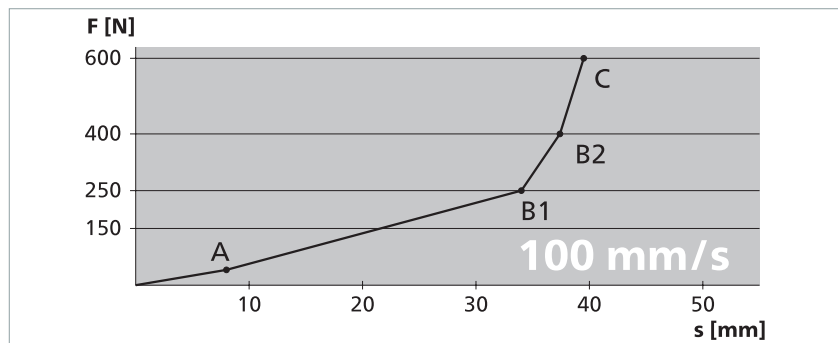
All data stated here is documented in EC design type test certificates.

Force-distance ratios

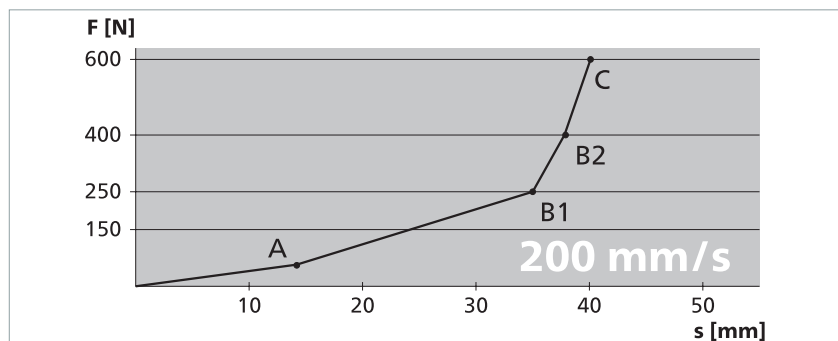
Actuation force	48 N
Response time	910 ms
Actuation distance (A)	9.1 mm
Overtravel distance	
up to 250 N (B1)	24.5 mm
up to 400 N (B2)	29.3 mm
up to 600 N (C)	31.0 mm
Total deformation	40.1 mm



Actuation force	41 N
Response time	80 ms
Actuation distance (A)	8.0 mm
Overtravel distance	
up to 250 N (B1)	26.0 mm
up to 400 N (B2)	29.4 mm
up to 600 N (C)	31.5 mm
Total deformation	39.5 mm



Actuation force	58 N
Response time	71 ms
Actuation distance (A)	14.2 mm
Overtravel distance	
up to 250 N (B1)	20.8 mm
up to 400 N (B2)	23.7 mm
up to 600 N (C)	25.9 mm
Total deformation	40.1 mm



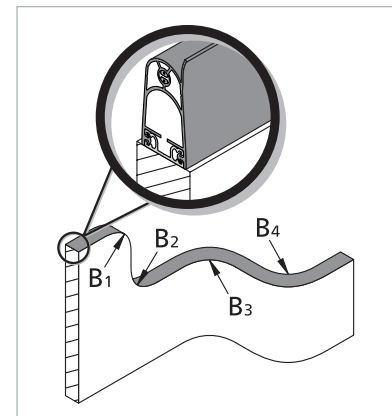
Technical data

SK SP 57L-2 TPE

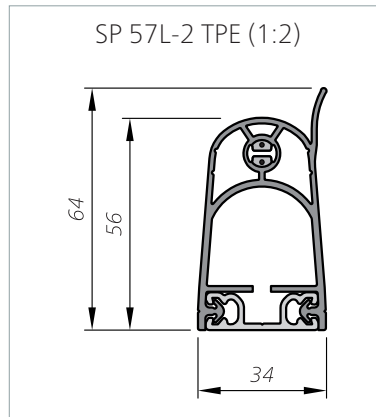
Sensor profile SP manufactured with end caps.

Sensor profile (without sensor)	SK SP/W 57L-2 TPE or SK SP/BK 57L-2 TPE
Test principles	EN 12978, ISO 13849-1, ISO 13856-2
Switching characteristics at $v_{test} = 100 \text{ mm/s}$	
Switching operations	10,000
Actuation force	
Test piece Ø 20 mm	< 50 N
Test piece (cylinder) Ø 80 mm	< 150 N
Actuation distance	
Test piece (cylinder) Ø 80 mm	8 mm
Actuation angle	
Test piece (cylinder) Ø 80 mm	±45°
Finger detection	yes
Safety classifications	
ISO 13849-1: B _{10D}	2× 10 ⁶
Mechanical operating conditions	
Sensor length (min./max.)	10 cm / 30 m
Cable length (min./max.)	10 cm / 200 m
Bend radii, minimal	
B ₁ / B ₂ / B ₃ / B ₄	1000 / 1000 / 200 / 200 mm
Operating speed (min. / max.)	10 mm/s / 200 mm/s
Tensile load, cable (max.)	600 N
IEC 60529: Degree of protection	IP67
Operating temperature	-25 to +55 °C
short-term (15 min)	-40 to +80 °C
Storage temperature	-40 to +80 °C
Weight (without/with aluminium profile)	0.45 / 0.75 kg/m
Electrical operating conditions	
Terminal resistance	8k2 ±1 %
Rated capacity (max.)	250 mW
Contact transition resistance	< 400 Ohm (per sensor)
Number of sensors type BK	max. 3 in series (for more information refer to the chapter <i>Limits</i>)
Switching voltage (max.)	DC 24 V
Switching current (min. / max.)	1 mA / 10 mA
Connection cable	Ø 2.9 mm PUR 2× 0.25 mm ²
Dimensional tolerances	
Length according to	ISO 3302 L2
Profile section according to	ISO 3302 E2

Bend radii:



Dimensions and distances



Dimensional tolerances according to ISO 3302 E2/L2.

Test conditions

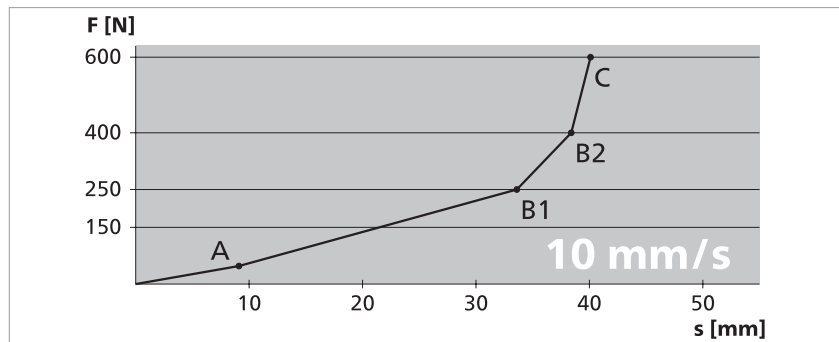
according to ISO 13856-2

- Installation position B
- Temperature +20 °C
- Measurement point c3
- Test sample 1 with Ø 80 mm
- without control unit
- Lip not taken into account

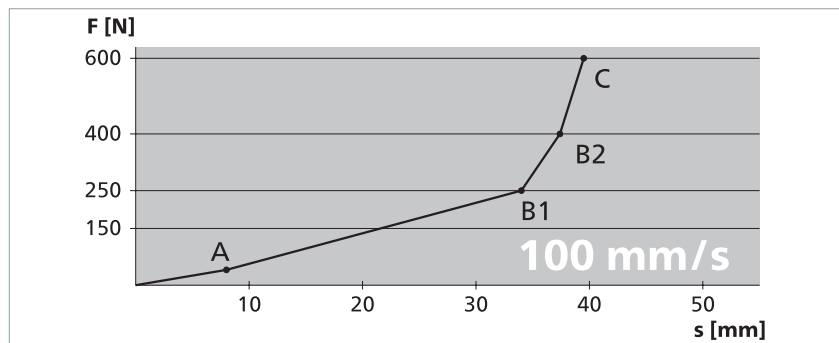
All data stated here is documented in EC design type test certificates.

Force-distance ratios

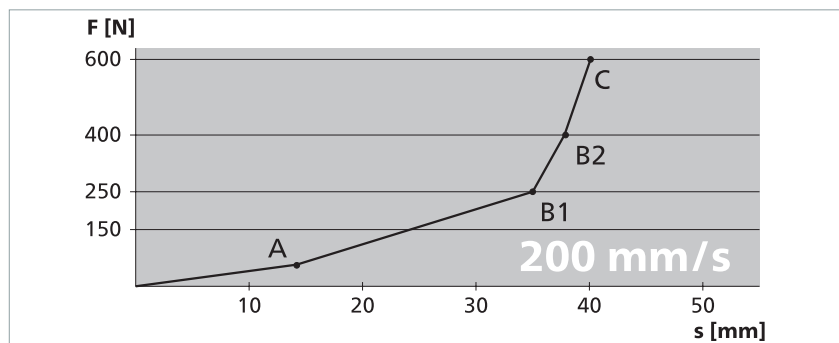
Actuation force	48 N
Response time	910 ms
Actuation distance (A)	9.1 mm
Overtravel distance	
up to 250 N (B1)	24.5 mm
up to 400 N (B2)	29.3 mm
up to 600 N (C)	31.0 mm
Total deformation	40.1 mm



Actuation force	41 N
Response time	80 ms
Actuation distance (A)	8.0 mm
Overtravel distance	
up to 250 N (B1)	26.0 mm
up to 400 N (B2)	29.4 mm
up to 600 N (C)	31.5 mm
Total deformation	39.5 mm



Actuation force	58 N
Response time	71 ms
Actuation distance (A)	14.2 mm
Overtravel distance	
up to 250 N (B1)	20.8 mm
up to 400 N (B2)	23.7 mm
up to 600 N (C)	25.9 mm
Total deformation	40.1 mm



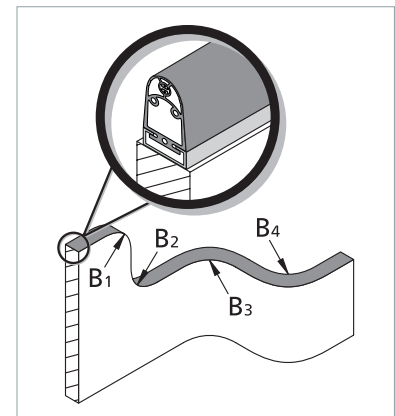
Technical data

SK SP 57-3 TPE

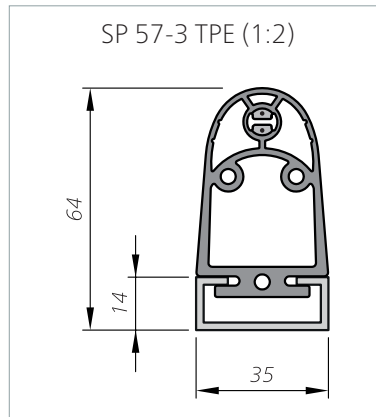
Sensor profile SP manufactured with end caps.

Sensor profile (without sensor)	SK SP/W 57-3 TPE or SK SP/BK 57-3 TPE
Test principles	EN 12978, ISO 13849-1, ISO 13856-2
Switching characteristics at $v_{test} = 100 \text{ mm/s}$	
Switching operations	10,000
Actuation force	
Test piece Ø 20 mm	< 50 N
Test piece (cylinder) Ø 80 mm	< 150 N
Actuation distance	
Test piece (cylinder) Ø 80 mm	8 mm
Actuation angle	
Test piece (cylinder) Ø 80 mm	±45°
Finger detection	yes
Safety classifications	
ISO 13849-1: B _{10D}	2 × 10 ⁶
Mechanical operating conditions	
Sensor length (min./max.)	10 cm / 25 m
Cable length (min./max.)	10 cm / 200 m
Bend radii, minimal	
B ₁ / B ₂ / B ₃ / B ₄	1000 / 1000 / 200 / 200 mm
Operating speed (min. / max.)	10 mm/s / 200 mm/s
Tensile load, cable (max.)	600 N
IEC 60529: Degree of protection	IP67
Operating temperature	-25 to +55 °C
short-term (15 min)	-40 to +80 °C
Storage temperature	-40 to +80 °C
Weight (without/with aluminium profile)	0.53 / 0.93 kg/m
Electrical operating conditions	
Terminal resistance	8k2 ± 1 %
Rated capacity (max.)	250 mW
Contact transition resistance	< 400 Ohm (per sensor)
Number of sensors type BK	max. 3 in series (for more information refer to the chapter <i>Limits</i>)
Switching voltage (max.)	DC 24 V
Switching current (min. / max.)	1 mA / 10 mA
Connection cable	Ø 2.9 mm PUR 2 × 0.25 mm ²
Dimensional tolerances	
Length according to	ISO 3302 L2
Profile section according to	ISO 3302 E2

Bend radii:



Dimensions and distances



Dimensional tolerances according to ISO 3302 E2/L2.

Test conditions

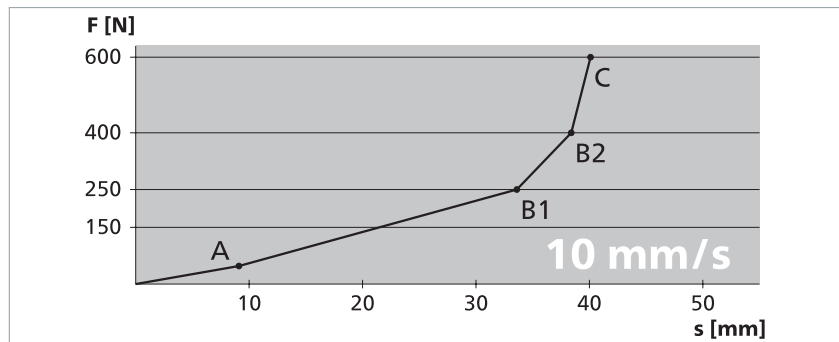
according to ISO 13856-2

- Installation position B
- Temperature +20 °C
- Measurement point c3
- Test sample 1 with Ø 80 mm
- without control unit

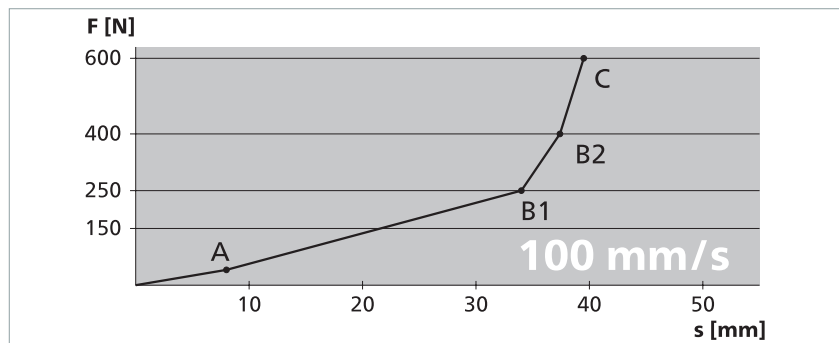
All data stated here is documented in EC design type test certificates.

Force-distance ratios

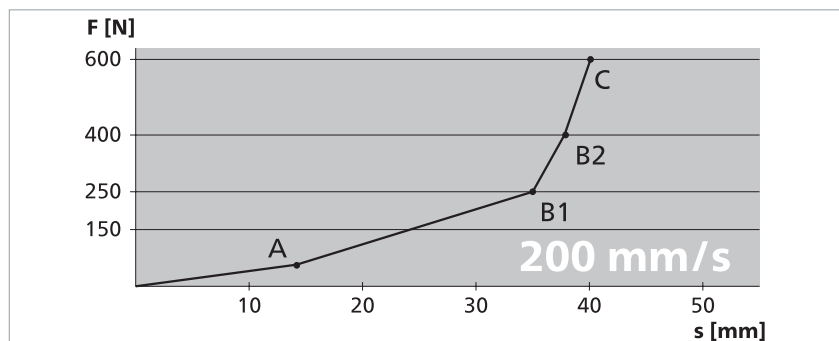
Actuation force	48 N
Response time	910 ms
Actuation distance (A)	9.1 mm
Overtravel distance	
up to 250 N (B1)	24.5 mm
up to 400 N (B2)	29.3 mm
up to 600 N (C)	31.0 mm
Total deformation	40.1 mm



Actuation force	41 N
Response time	80 ms
Actuation distance (A)	8.0 mm
Overtravel distance	
up to 250 N (B1)	26.0 mm
up to 400 N (B2)	29.4 mm
up to 600 N (C)	31.5 mm
Total deformation	39.5 mm



Actuation force	58 N
Response time	71 ms
Actuation distance (A)	14.2 mm
Overtravel distance	
up to 250 N (B1)	20.8 mm
up to 400 N (B2)	23.7 mm
up to 600 N (C)	25.9 mm
Total deformation	40.1 mm



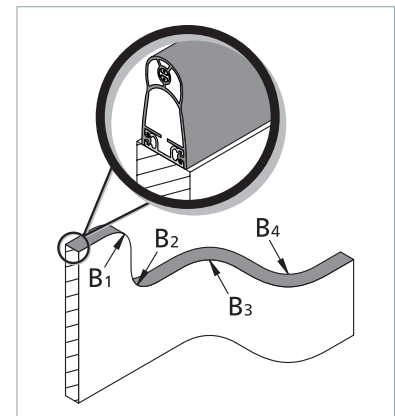
Technical data

SK SP 67-2 TPE

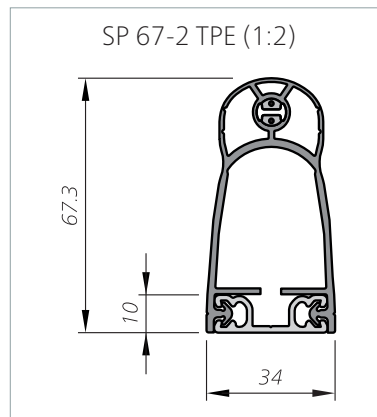
Sensor profile SP manufactured with end caps.

Sensor profile (without sensor)	SK SP/W 67-2 TPE or SK SP/BK 67-2 TPE
Test principles	EN 12978, ISO 13849-1, ISO 13856-2
Switching characteristics at $v_{\text{test}} = 100 \text{ mm/s}$	
Switching operations	10,000
Actuation force	
Test piece $\varnothing 20 \text{ mm}$	< 50 N
Test piece (cylinder) $\varnothing 80 \text{ mm}$	< 150 N
Actuation distance	
Test piece (cylinder) $\varnothing 80 \text{ mm}$	11 mm
Actuation angle	
Test piece (cylinder) $\varnothing 80 \text{ mm}$	$\pm 50^\circ$
Finger detection	yes
Safety classifications	
ISO 13849-1: B_{10D}	2×10^6
Mechanical operating conditions	
Sensor length (min./max.)	10 cm / 30 m
Cable length (min./max.)	10 cm / 200 m
Bend radii, minimal	
$B_1 / B_2 / B_3 / B_4$	1000 / 1000 / 200 / 200 mm
Operating speed (min. / max.)	10 mm/s / 200 mm/s
Tensile load, cable (max.)	600 N
IEC 60529: Degree of protection	IP67
Operating temperature	-25 to +55 °C
short-term (15 min)	-40 to +80 °C
Storage temperature	-40 to +80 °C
Weight (without/with aluminium profile)	0.46 / 0.76 kg/m
Electrical operating conditions	
Terminal resistance	$8k2 \pm 1 \%$
Rated capacity (max.)	250 mW
Contact transition resistance	< 400 Ohm (per sensor)
Number of sensors type BK	max. 3 in series (for more information refer to the chapter <i>Limits</i>)
Switching voltage (max.)	DC 24 V
Switching current (min. / max.)	1 mA / 10 mA
Connection cable	$\varnothing 2.9 \text{ mm PUR } 2 \times 0.25 \text{ mm}^2$
Dimensional tolerances	
Length according to	ISO 3302 L2
Profile section according to	ISO 3302 E2

Bend radii:



Dimensions and distances



Dimensional tolerances according to ISO 3302 E2/L2.

Test conditions

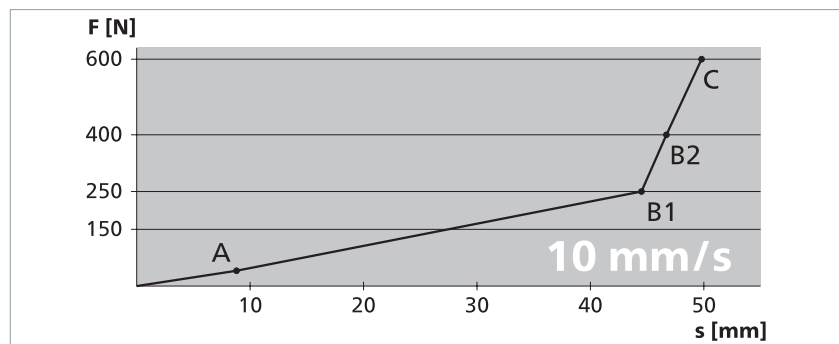
according to ISO 13856-2

- Installation position B
- Temperature +20 °C
- Measurement point c3
- Test sample 1 with Ø 80 mm
- without control unit

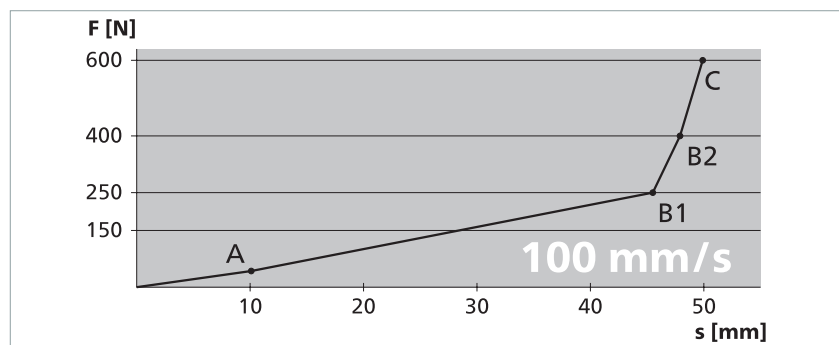
All data stated here is documented in EC design type test certificates.

Force-distance ratios

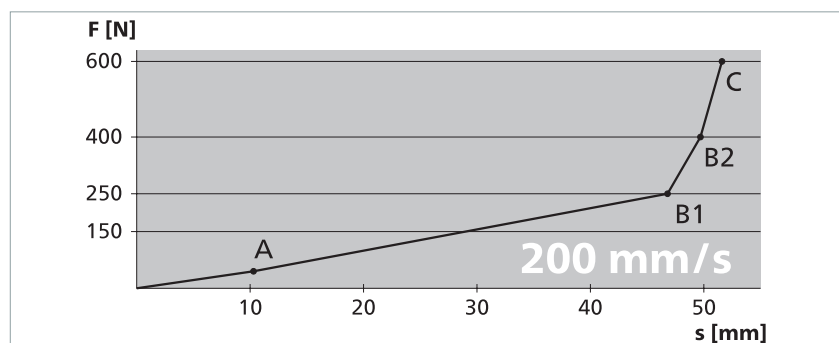
Actuation force	41 N
Response time	880 ms
Actuation distance (A)	8.8 mm
Overtravel distance	
up to 250 N (B1)	35.7 mm
up to 400 N (B2)	37.9 mm
up to 600 N (C)	41 mm
Total deformation	49.8 mm



Actuation force	42 N
Response time	101 ms
Actuation distance (A)	10.1 mm
Overtravel distance	
up to 250 N (B1)	35.4 mm
up to 400 N (B2)	37.8 mm
up to 600 N (C)	39.8 mm
Total deformation	49.9 mm



Actuation force	45 N
Response time	51.5 ms
Actuation distance (A)	10.3 mm
Overtravel distance	
up to 250 N (B1)	36.5 mm
up to 400 N (B2)	39.4 mm
up to 600 N (C)	41.3 mm
Total deformation	51.6 mm



Marking

If you combine sensors with control units and thereby release pressure-sensitive safeguards onto the market, observe the basic regulations in ISO 13856.

Apart from technical requirements, this applies in particular also to marking and information for use.

Conformity

EC design test

The product was tested by an independent institute.

An EC design type test certificate confirms conformity.

The EC design type test certificate is available in the download section of the website: www.mayser.com/en/downloads

UL certification

The design type of the product complies with the basic requirements of: UL certification

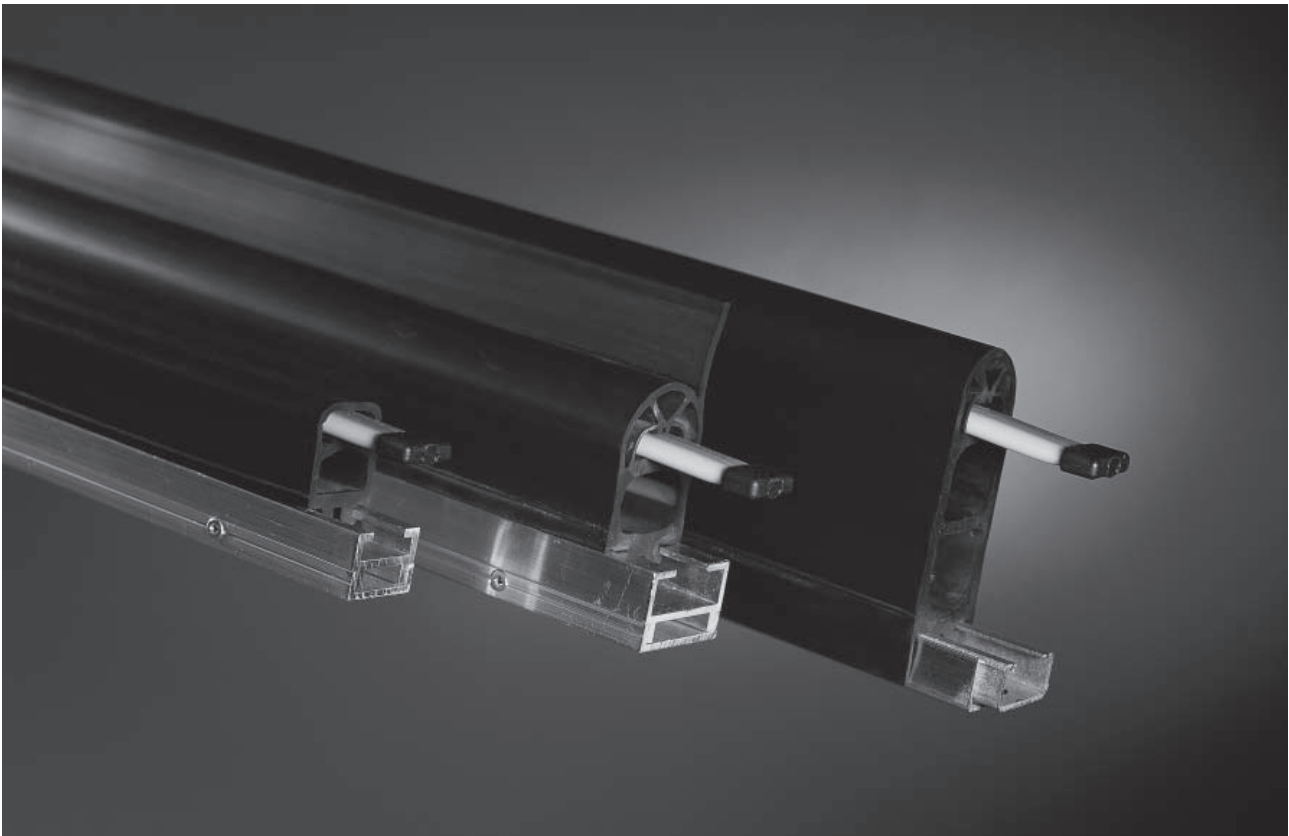
- UL 325



[Empty page]



Product Information



Safety Edges SL/W and SL/BK

Mayser GmbH & Co. KG

Oerlinger Strasse 1-3

89073 Ulm

GERMANY

Phone: +49 731 2061-0

Fax: +49 731 2061-222

E-mail: info.ulm@mayser.com

Internet: www.mayser.com

Contents

Available lengths	3.3
Calculation for selection of the Safety Edge height.....	3.3
Cable connection.....	3.3
Chemical resistance.....	3.4
Rubber profiles and operating distances.....	3.5
Aluminium profile range C 15, C 25 and C 35	3.6
Steel-Profile C 27 / U 27.....	3.7
Cable exits KA	3.8
Lateral bends and radii	3.9
Custom-made.....	3.9
Overall view of combinations	3.10
Technical data GP 39, GP 50, GP 60	3.11
Technical data GP 302.....	3.12
Request for quotation	3.13

Important information

Read through the product information carefully. It contains important information on operation, safety and maintenance of the normally open Safety Edge. Retain the product information for later reference.

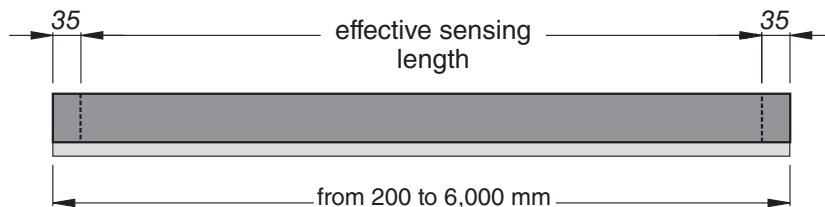
Always observe the safety instructions on the following pages under **ATTENTION**. Only use the normally open Safety Edge for the purpose described in the product information.

© Mayser Ulm 2009

Available lengths

The contact elements can be supplied in lengths between 200 and 6,000 mm.

In the case of the standard Safety Edge both ends have a non-sensitive area 35 mm long



Calculation for selection of the Safety Edge height

The stopping distance of the dangerous movement is calculated using the following formula:

$$s_1 = 1/2 \times v \times T$$

where:

$$T = t_1 + t_2$$

In accordance with EN 1760-2, the minimum overtravel distance of the Safety Edge is calculated using the following formula:

$$s = s_1 \times C$$

where:

$$C = 1.2$$

Overtravel distances: see 3.5

Mit dem Ergebnis kann nun ein geeignetes Schaltleistenprofil ausgewählt werden.

s_1 = Stopping distance of the dangerous movement [mm]

v = Velocity of the dangerous movement [mm/s]

T = Follow-through of the complete system [s]

t_1 = Response time Safety Edge

t_2 = Stopping time of the machine

s = Minimum overtravel distance of the Safety Edge so that the pinching force does not exceed a limit value [mm]

C = Safety factor; if components susceptible to failures (braking system) exist in the system, a higher factor must be selected.

Cable connection

Standard

- Cables: \varnothing 3.7 mm TPE, 2x 0.22 mm²
Wire colours: red, black
- Cable length: 2 m / 5 m / 10 m
- Cable ends without plug and coupling
Option: Kabelenden mit Stecker bzw. Kupplung lieferbar

ATTENTION

Max. cable length to signal processing unit: 200 m

Subject to technical modifications.

Chemical resistance

Rubber profile GP Identification rills on side of profile	EPDM v	NBR vv	CR vvv
Material Rating			
Hardness as per Shore A	55 ±5	60 ±5	60 ±5
Application area Machines		x	x
Application area Doors+Gates	x		
Chemical resistance			
Acetone	+	±	+
Formic acid	+	+	+
Ammonia	+	+	+
Petrol	-	+	±
Brake fluid	±	±	±
Chloride solutions	+	+	+
Diesel oils	-	+	+
Greases	-	+	+
Isopropyl alcoho	+	+	+
Cooling lubricant	-	+	+
Metal working oil	-	+	+
Methyl alcohol	+	+	±
Oils	-	+	+
Ozone and weather conditions	+	-	+
Hydrochloric acid 10 %	+	+	+
Spirit (ethyl alcohol)	+	+	+
Carbon tetrachloride	-	+	-
Water and frost	+	-	±
Hydrogen peroxide 10 %	+	+	-
Household/sanitary cleaners	+	+	+

Tests are carried out at room temperature (+23 °C).

Explanation of symbols:

- + = resistant
- ± = limited resistance
- = not resistant

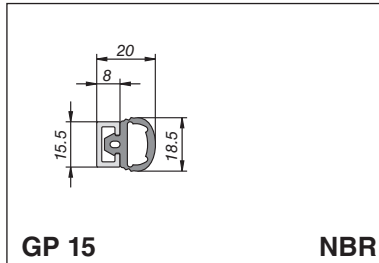
The values in the table are results of tests carried out in our laboratory to the best of our knowledge and belief. The suitability of our products for your special area of application must always be verified with your own practical tests.

Subject to technical modifications.

Rubber profiles and operating distances

Actuation force: < 150 N (bei 23 °C und Prüfkörper Ø 80 mm)

Dimensional tolerances: ISO 3302 E2/L2

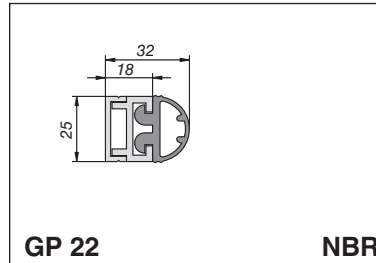


GP 15 NBR

Actuation distance:
at 10 mm/s 2 - 4 mm

Overtravel distance: -

Al - profile range: C 15

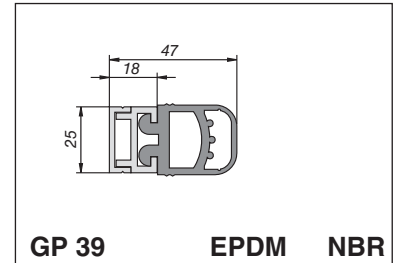


GP 22 NBR

Actuation distance:
at 10 mm/s 5 mm

Overtravel distance:
at 10 mm/s 1 mm

Al - profile range: C 25

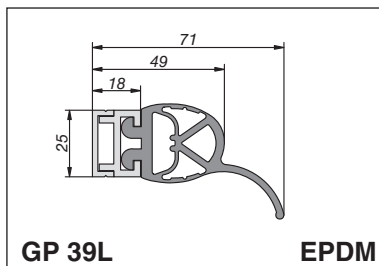


GP 39 EPDM NBR

Actuation distance:
at 10 mm/s 4 mm 5 mm

Overtravel distance:
at 10 mm/s 2 mm 2 mm

Al - profile range: C 25 C 25

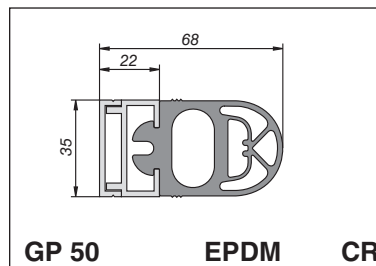


GP 39L EPDM

Actuation distance:
at 10 mm/s 23 mm

Overtravel distance:
at 10 mm/s 7 mm

Al - profile range: C 25

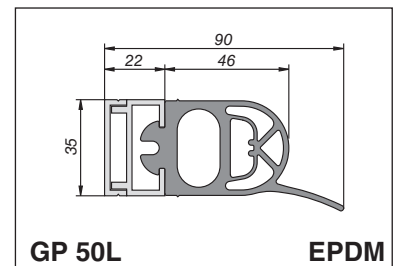


GP 50 EPDM CR

Actuation distance:
at 10 mm/s 8 mm 7 mm
at 100 mm/s 15 mm 8 mm

Overtravel distance:
at 10 mm/s 13 mm 5 mm
at 100 mm/s 5 mm 4 mm

Al - profile range: C 35 C 35

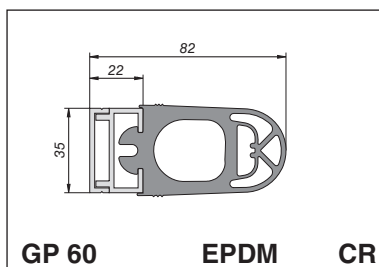


GP 50L EPDM

Actuation distance:
at 10 mm/s 20 mm

Overtravel distance:
at 10 mm/s 12 mm

Al - profile range: C 35

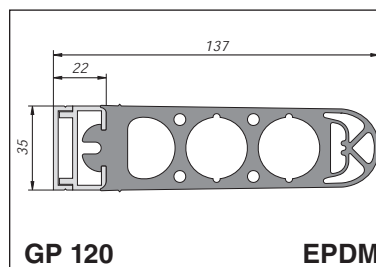


GP 60 EPDM CR

Actuation distance:
at 10 mm/s 7 mm 8 mm
at 100 mm/s 10 mm 9 mm

Overtravel distance:
at 10 mm/s 20 mm 7 mm
at 100 mm/s 16 mm 6 mm

Al - profile range: C 35 C 35

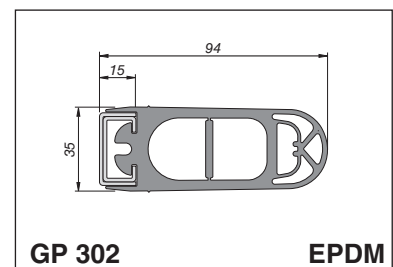


GP 120 EPDM

Actuation distance:
at 10 mm/s 11 mm

Overtravel distance:
at 10 mm/s ca. 45 mm

Al - profile range: C 35



GP 302 EPDM

Actuation distance:
at 10 mm/s 13 mm
at 100 mm/s 12 mm

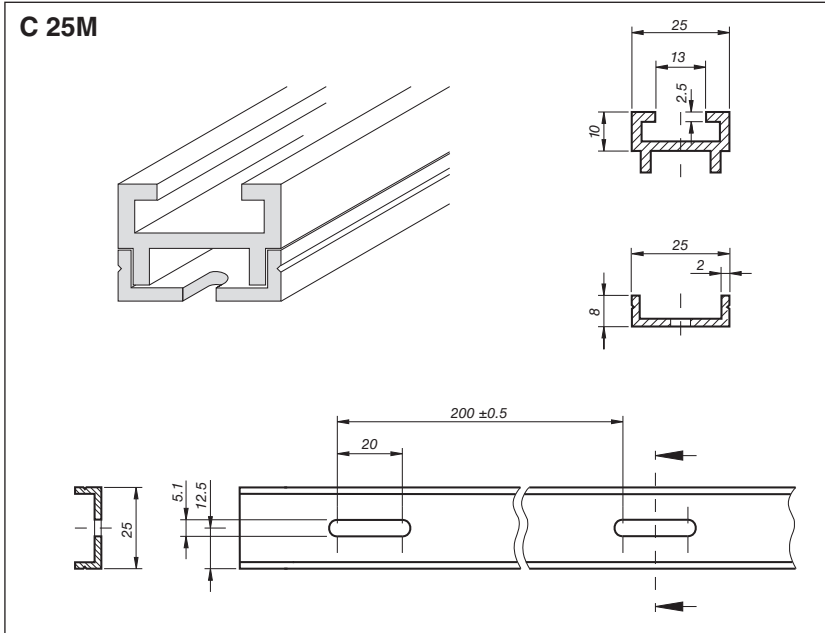
Overtravel distance:
at 10 mm/s 25 mm
at 100 mm/s 22 mm

Steel profile: C 27

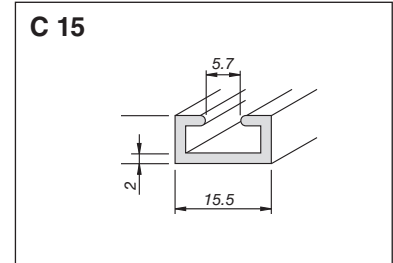
Aluminium profile range C 15, C 25 and C 35

Dimensional tolerances: ISO 2768-v

Aluminium profile range C 25 for GP 22 and GP 39(L)

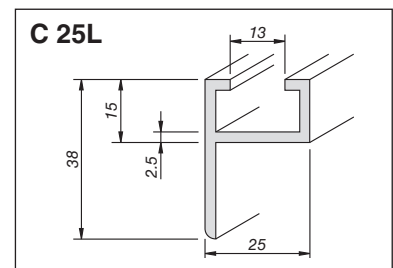
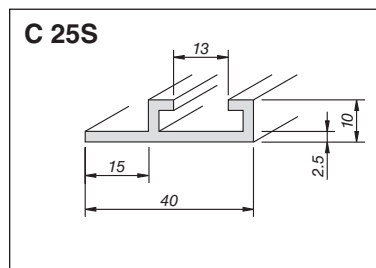
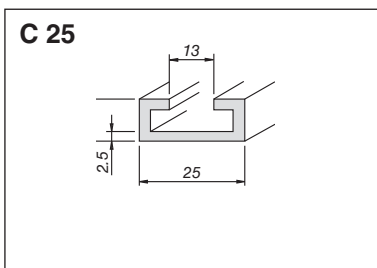


Al-profile C 15 for GP 15

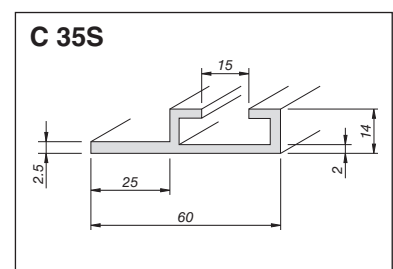
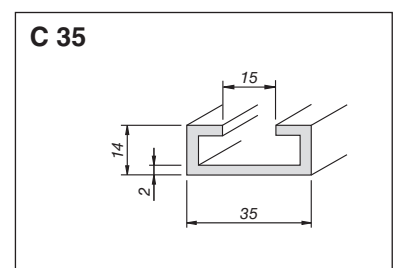
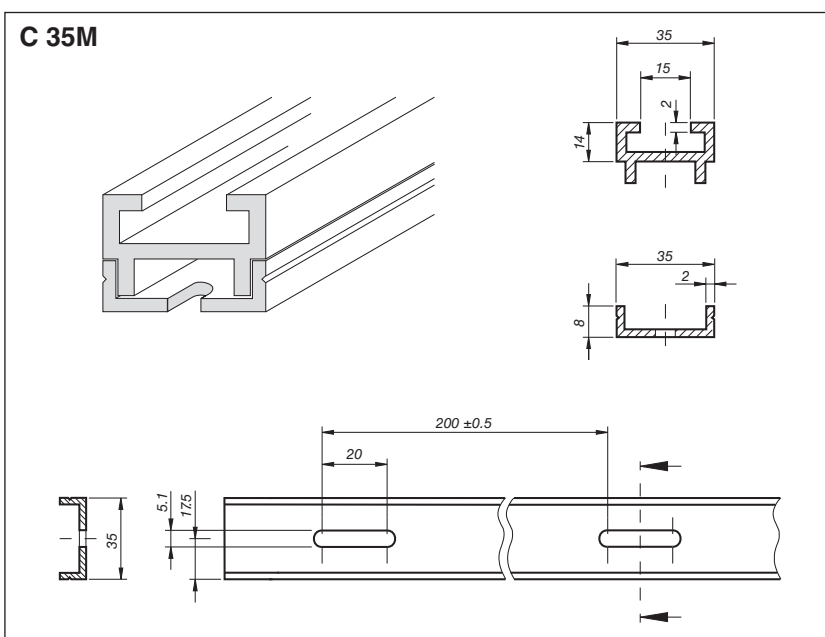


Note C 25M / C 35M:

Fix upper part to the lower part using self-tapping SK M3x8 DIN 7500 countersunk screws in pre-drilled positions



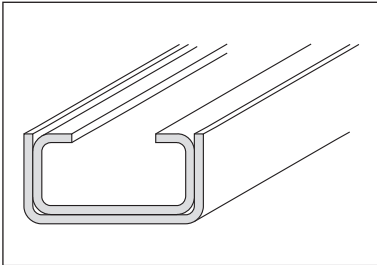
Aluminium profile range C 35 for GP 50(L), GP 60 and GP 120



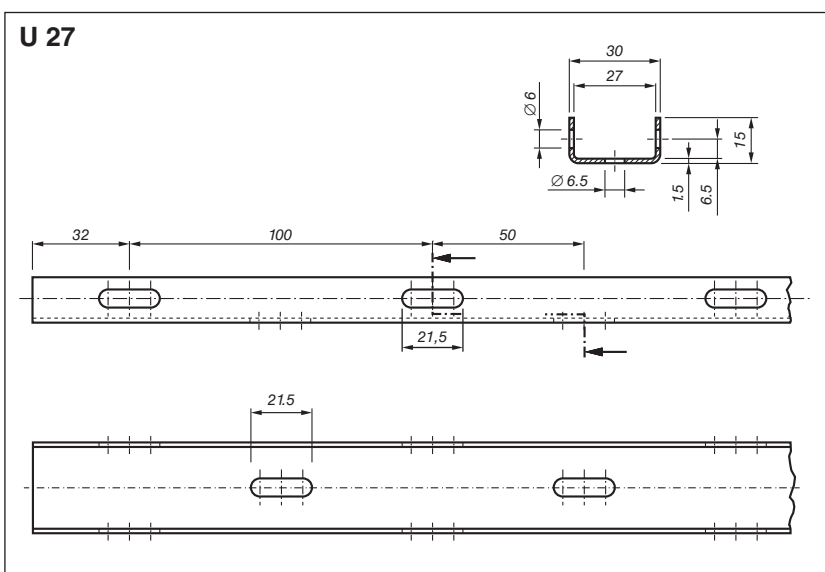
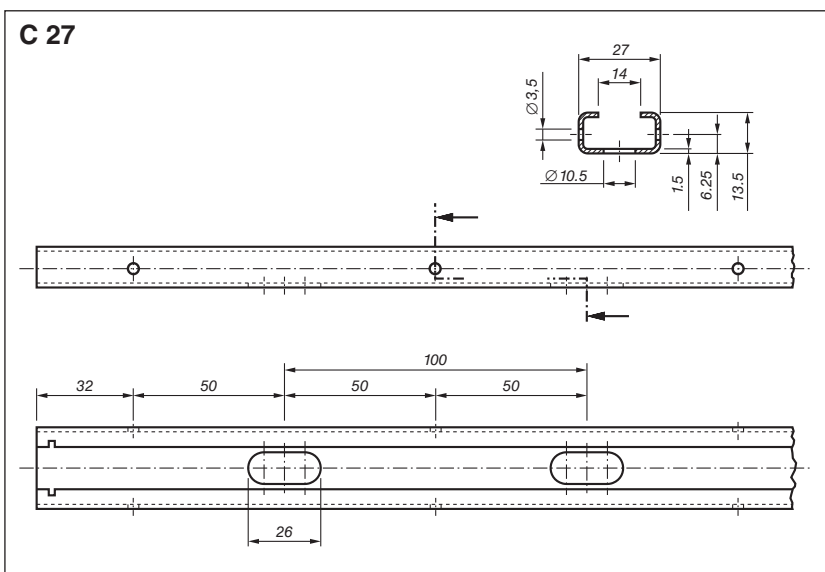
Steel-Profile C 27 / U 27

Dimensional tolerances: ISO 2768-v

Profile for GP 302



Fix the C-Profile
to the U-Profile using self-tapping SK M4x10 DIN 7500 countersunk screws in pre-drilled positions



270710 v1.0

Subject to technical modifications.

Cable exits KA

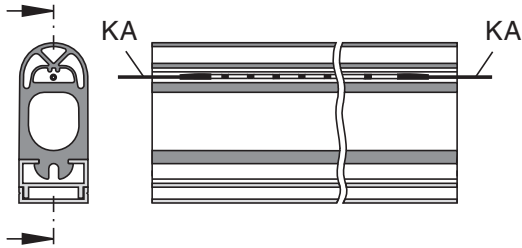
some with cable sleeves KT

Note: non-sensitive end = c. 35mm (standard)

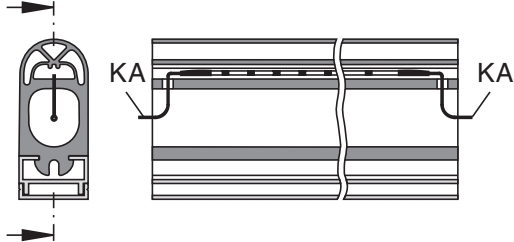
Safety Edge Type BK

able on both ends

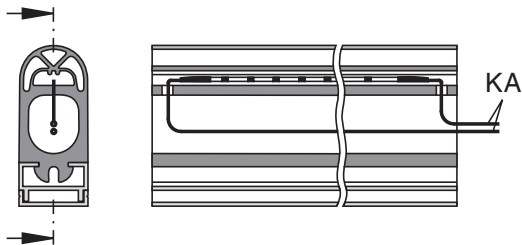
Version 1 GP 15, 22, 39(L), 50(L), 60, 120, 302



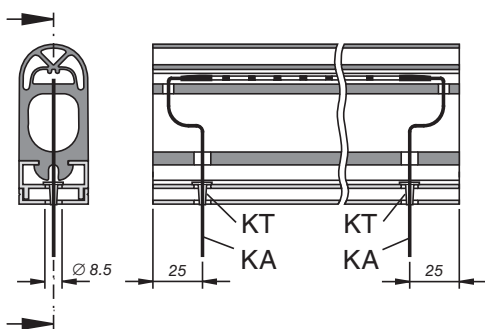
Version 3 GP 39(L), 50(L), 60, 120, 302



Version 4 GP 39(L), 50(L), 60, 120, 302



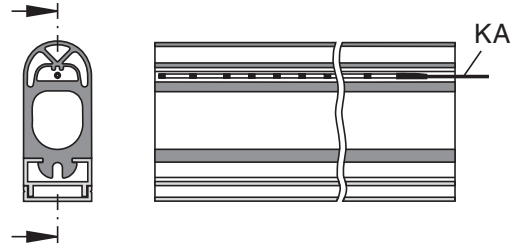
Version 5 GP 39(L), 50(L), 60, 120, 302



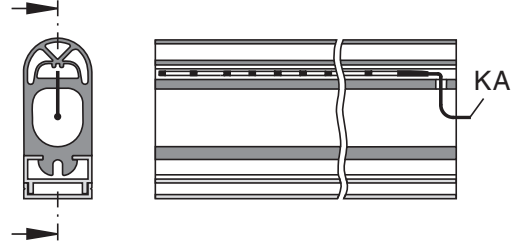
Safety Edge Type W

with integrated resistor

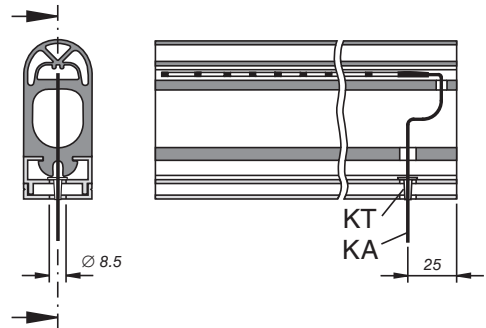
Version 9 GP 15, 22, 39(L), 50(L), 60, 120, 302



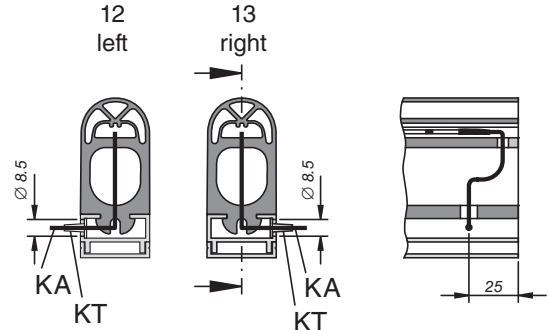
Version 10 GP 39(L), 50(L), 60, 120, 302



Version 11 GP 39(L), 50(L), 60, 120, 302



Version 12/13 GP 39(L), 50(L), 60



ATTENTION

Max. cable length to signal processing unit: 200 m

Subject to technical modifications.

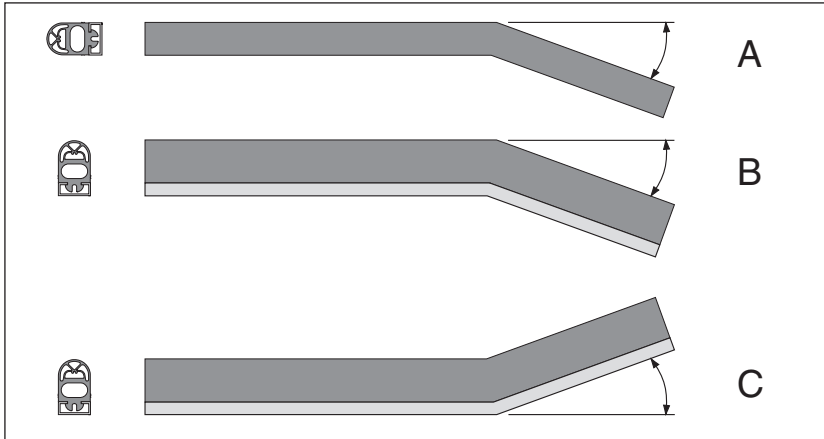
For rubber profiles, type L, please note: the rubber lip is always on the left side looking at the cross section (to the left of the intersection line).

other variations (e.g. smaller non-sensitive areas on ends) on enquiry

Lateral bends and radii

Lateral bends

All AI-profiles from the C25 and C35 range are suitable for bend angles. The AI-profile must be prepared at our plant for this.



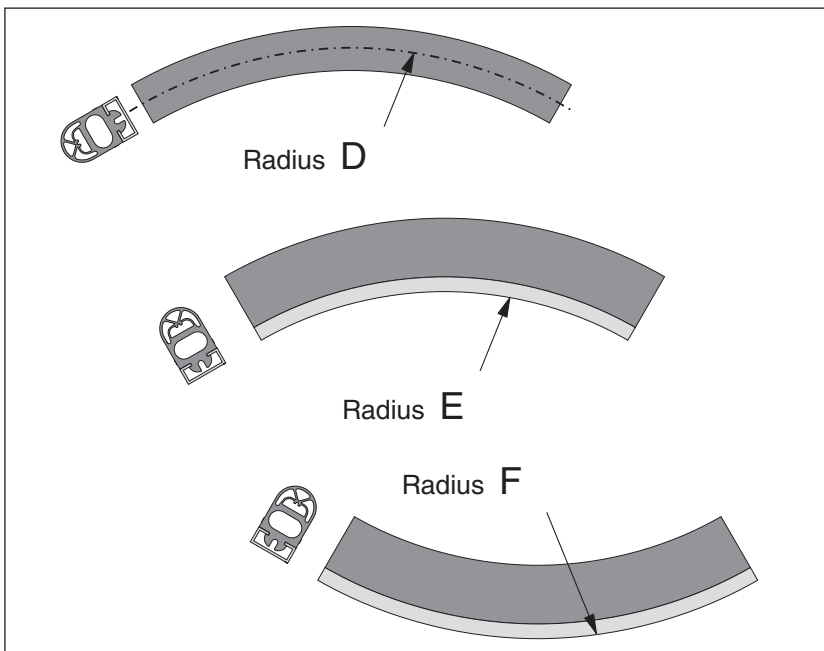
Maximum lateral bend

Bend type:	A	B	C
GP 22	30°	25°	10°
GP 39	25°	20°	5°
GP 50	20°	20°	15°
GP 60	16°	15°	10°
GP 120	15°	15°	5°

Angled Safety Edges (type A to 90°): see custom-made section.

Radii

Safety Edges with a radius are only available with C 25 and C 35 AI-profiles. The AI-profile must be prepared at our plant for this.



Minimum radius in mm

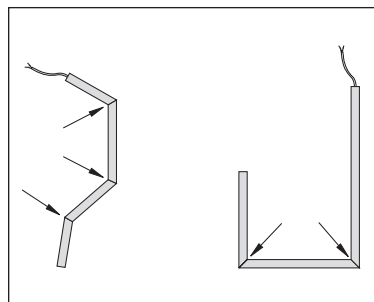
Radius type:	D	E	F
GP 22	300	300	350
GP 39	300	300	350
GP 50	350	400	400
GP 60	350	450	550
GP 120	500	–	–

Note:

Lateral bends and radii are not covered by the EC-certification of design.

Custom-made

- angled Safety Edges with sensitive zones in problem areas
- Safety Edges with active ends possible using GP39 upwards



Overall view of combinations

Safety Edges SL	GP 15	GP 22	GP 39	GP 39L	GP 50	GP 50L	GP 60	GP 120	GP 302
Material									
NBR	●	●	●						
EPDM			●	●	●	●	●	●	●
CR					●		●		
Mounting									
C 15	●								
C 25M/S/L		●	●	●					
C 35M/S					●	●	●	●	
C 27 / U 27									●
Monitoring resistor									
1k2	●	●	●	●	●	●	●	●	○
8k2	○	○	○	○	○	○	○	○	○
22k1	○	○	○	○	○	○	○	○	●
Control Unit									
SG-EFS 1X4 ZK2/1	●	●	●	●	●	●	●	●	○
SG-SLE 04-0X1	○	○	○	○	○	○	○	○	●
SG-SUE 41X4 NA	○	○	○	○	○	○	○	○	○

● = Standard ○ = Option

How to order:

Example 1 - Fully assembled Safety Edge without control unit:
 SL/BK 2,250 mm GP 50 NBR + Al-Profile C 35M
 Cable 10 m, Version 4 (siehe 3.8)

Example 2 - Fully assembled Safety Edge with control unit (230 V):
 SL/W 3,700 mm GP 60 EPDM + Al-Profile C 35M
 Cable 5 m, Version 11 (see 3.8)
 Control Unit SG-EFS 134 ZK 2/1 (1k2)

Example 3 - Fully assembled Safety Edge, 4-wire-connection system
 with control unit (230V):
 SL/BK 1,650 mm GP 39 NBR + Al-Profile C 25M
 Cable 2 m, Version 3 (see 3.8)
 Control Unit SG-SUE 4134 NA

Subject to technical modifications.

Technical data GP 39, GP 50, GP 60

Safety Edges consisting of sensor SL/W and SL/BK
at rubber profiles GP 39/50/60 with aluminium profile and Control Unit.

1	Degree of protection sensor	IP65			IP65		
2	Switching operations sensor	> 10 ⁵			> 10 ⁵		
3	Sensor	GP 39	GP 50	GP 60	GP 50	GP 60	GP 50
		EPDM	EPDM	EPDM	CR	CR	EPDM
	with Control Unit SG-	EFS 1X4 ZK2/1			EFS 1X4 ZK2/1		SLE 04-0X1
3.1	Response time	38 ms	144 ms	95 ms	72 ms	82 ms	575 ms
	Test speed	100 mm/s	100 mm/s	100 mm/s	100 mm/s	100 mm/s	10 mm/s
3.2	Control command reset	either manual or automatic			manual / automatic		automatic
4	Actuation force, actuation distance, overtravel and switching angle	Testing basis: EN 1760-2					
4.1	Actuation force	< 150 N	< 150 N	< 150 N	< 150 N	< 150 N	< 150 N
4.2	Actuation distance						
	at 10 mm/s	4 mm	8 mm	7 mm	7 mm	8 mm	6 mm
	at 100 mm/s	4 mm	15 mm	10 mm	8 mm	9 mm	–
4.3	Overtravel distance						
	at 10 mm/s	2 mm	13 mm	20 mm	5 mm	7 mm	13 mm
	at 100 mm/s	1 mm	5 mm	16 mm	4 mm	6 mm	–
4.4	Effective actuation angle	45°	90°	90°	90°	90°	90°
5	Error behaviour	EN 954 Category 3			EN 954 Category 3		
6	Operating and environmental conditions						
6.1	Operating temperature						
	Sensor	-20 °C to +55 °C			-20 °C to +55 °C		
7	Operation – Maintenance						
7.1	Maintenance	The sensor is maintenance free.					
7.2	Monitoring	The control unit aids monitoring					
7.3	Expert inspection (once per year)	<ul style="list-style-type: none"> • Depending on the amount of use the sensors are to be checked regularly for correct operation and visible signs of damage by manual operation or by applying the relevant test piece. • The correct position of the rubber profile in the aluminium profile is to be checked. 					
8	Chemical resistance	The sensor is resistant to customary-chemical influences such as diluted-acids, alkaline solutions and alcohol-for an exposure duration of 24 hours.					
9	Dimensional tolerances						
	Rubber profile	ISO 3302 E2/L2					
	Al-profile	ISO 2768-v					

Technical data GP 302

Safety Edges consisting of sensor SL/W and SL/BK
at rubber profiles GP 302 with Steel-Profile and Control Unit

1	Degree of protection sensor	IP65	IP65
2	Switching operations sensor	> 10 ⁴	> 10 ⁴
3	Sensor	GP 302 EPDM	GP 302 EPDM
	with Control Unit SG-	EFS 1X4 ZK2/1	SLE 04-0X1
3.1	Response time	115 ms	120 ms
	Test speed	100 mm/s	100 mm/s
3.2	Control command reset	either manual or automatic	automatic
4	Actuation force, actuation distance, overtravel and switching angle		
	Testing basis: EN 1760-2		
4.1	Actuation force	< 150 N	< 150 N
4.2	Actuation distance		
	at 10 mm/s	13 mm	13 mm
	at 100 mm/s	12 mm	12 mm
4.3	Overtravel distance		
	at 10 mm/s	25 mm	25 mm
	at 100 mm/s	22 mm	22 mm
4.4	Effective actuation angle	90°	90°
5	Error behaviour	EN 954 Category 3	EN 954 Category 3
6	Operating and environmental conditions		
6.1	Operating temperature		
	Sensor	0 °C to +55 °C	0 °C to +55 °C
7	Operation – Maintenance		
7.1	Maintenance	The sensor is maintenance free.	
7.2	Monitoring	The control unit aids monitoring	
7.3	Expert inspection (once per year)	<ul style="list-style-type: none"> Depending on the amount of use the sensors are to be checked regularly for correct operation and visible signs of damage by manual operation or by applying the relevant test piece. The correct position of the rubber profile in the aluminium profile is to be checked. 	
8	Chemical resistance	The sensor is resistant to customary-chemical influences such as diluted-acids, alkaline solutions and alcohol-for an exposure duration of 24 hours.	
9	Dimensional tolerances		
	Rubber profile	ISO 3302 E2/L2	
	Steel-profile	ISO 2768-v	

Request for quotation

From:

Company

Department

Name, first name

P. O. Box

Post code

City

Street

Post code

City

Phone

Fax

E-mail

Fax:**+49 731 2061-222****Area of application**

(e.g. door and gate systems, machine closing edges, textile machines, local public transport, ...)

↓ Please keep free ↓

For internal use only

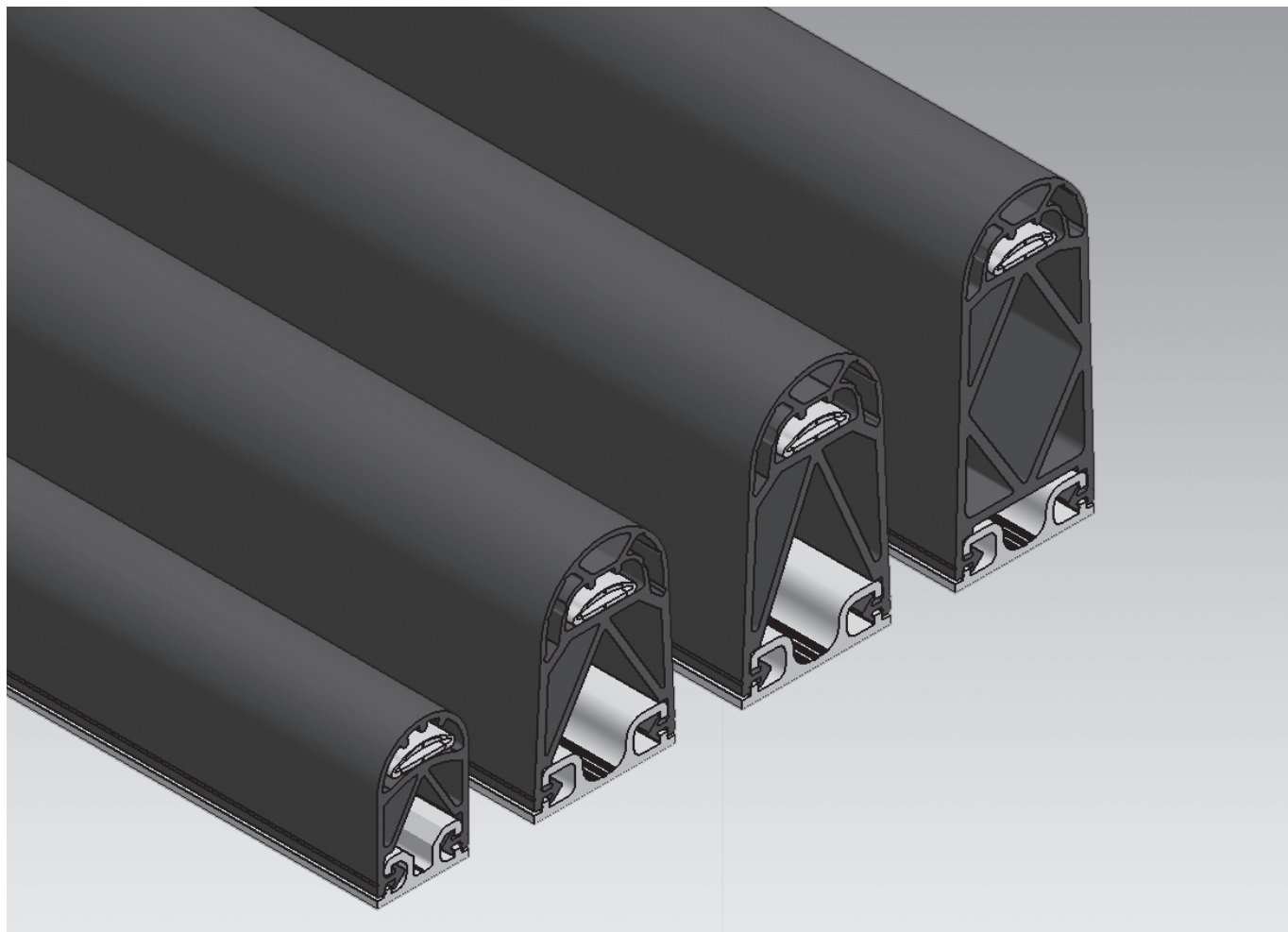
Environmental conditions dry water oil aggressive Coolant, type: _____

substances::

 Solvent, type: _____ other: _____ room temperature other: from _____ °C to _____ °C**Mechanical conditions** The stopping distance of the system is max. _____ mm sensitive ends non-sensitive ends permitted cable exit version _____ number of monitoring circuits: _____ SG- _____**Pinching and shearing edges to be protected::**

(Diagram incl. mounting possibility and cable routing)

[Empty page]



Normally open safety edges SL NO



EN | Product information

Mayser GmbH & Co. KG

Örlinger Straße 1-3

89073 Ulm

GERMANY

Phone: +49 731 2061-0

Fax: +49 731 2061-222

E-mail: info.ulm@mayser.com

Internet: www.mayser.com

Contents

Definitions	4
Pressure-sensitive protection device	4
Operation principle 2-wire-technology	5
Operation principle 4-wire-technology	7
Intended use	8
Limits	8
Design	8
Effective actuation area	9
Available lengths	9
Bend angles and bend radii	10
Installation position	10
Connection	11
Cable exits	11
Cable connection	12
Wire colours	12
Connection examples	12
Physical resistance	13
Chemical resistance	13
Attachment	14
Aluminium profiles: Overview of combinations	14
Aluminium profile C 26M	15
Aluminium profile C 26	15
Aluminium profile C 36M	16
Aluminium profile C 36L	16
Aluminium profile C 36S	17
Aluminium profile C 36	17
SL NO: The right selection	18
Calculation for selection of the safety edge height	18
Calculation examples	18
Customised designs	19
Conformity	20
Safety aspects	20
Maintenance and servicing	20
Technical data	21
GP 38-2 EPDM	21
Dimensions and distances	22

Important information

Read through the product information carefully. It contains important information on operation, safety and maintenance of the product. Retain the product information for later reference.

Always observe the safety instructions on the following pages under **ATTENTION**. Only use the product for the purpose described in the product information.

© Maysers Ulm 2017

Technical data	23
GP 38L-2 EPDM.....	23
Dimensions and distances	24
Technical data	25
GP 58-2 EPDM.....	25
Dimensions and distances	26
Technical data	27
GP 58L-2 EPDM.....	27
Dimensions and distances	28
Technical data	29
GP 68-2 EPDM.....	29
Dimensions and distances	30
Technical data	31
GP 88-2 EPDM.....	31
Dimensions and distances	32
Request for quotation	33

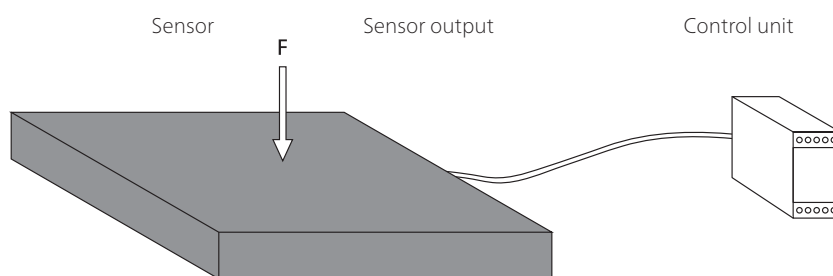
Definitions

Pressure-sensitive protection device

A pressure-sensitive protection device consists of pressure-sensitive sensor(s), signal processing and output signal switching device(s). The control unit is made up of the signal processing and output signal switching device(s). The pressure-sensitive protection device is triggered when the sensor is activated.

Note:

See also chapter 3 **Terms** in ISO 13856-2.

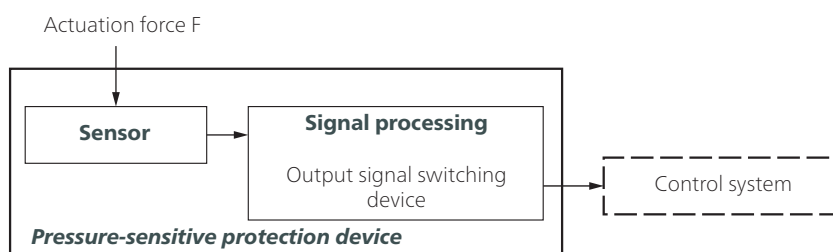


Sensor

The sensor is the part of the pressure-sensitive protection device that generates a signal when the actuating force F is applied. Mayser safety systems have a sensor whereby the actuating surface is deformed locally.

Signal processing

The signal processing is the part of the pressure-sensitive protection device that converts the output signal of the sensor and controls the status of the output signal switching device. The output signal switching device is that part of the signal processing which is connected to the machine controls and transmits safety output signals such as STOP.

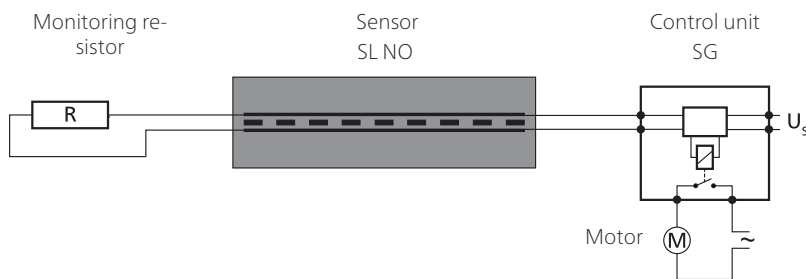


Subject to technical modifications.

Criteria for selecting the sensor type

- B_{10D} -value according to ISO 13849-1
- Performance level of pressure-sensitive protection device = at least PL_r
- Temperature range
- Degree of protection in accordance with IEC 60529:
IP65 is the standard for safety edges.
Higher degrees of protection must be checked individually.
- Environmental influences such as swarf, oil, coolant, outdoor use...
- Finger detection necessary?

Operation principle 2-wire-technology



The monitoring resistor must be compatible with the control unit.
Standard value is 1k Ω . 8k Ω and 22k Ω are also available.

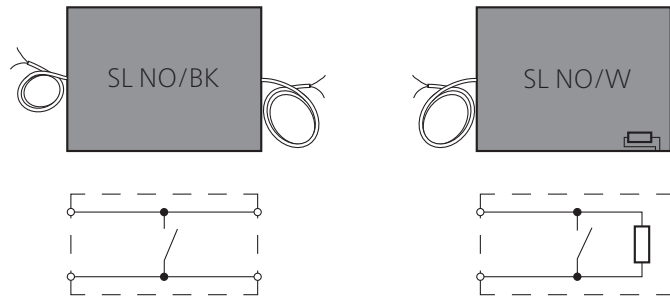
For your safety:

Sensor and connecting cables are constantly monitored for function.
Monitoring is carried out by controlled bridging of the contact surfaces
with a monitoring resistor (closed current principle).

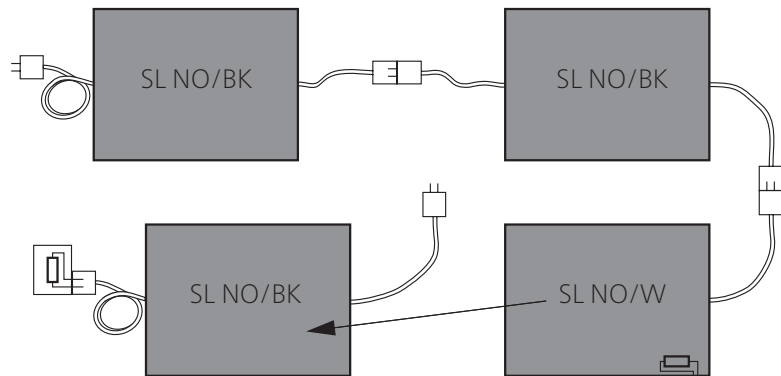
Design

SL NO/BK with cables on both sides as a through sensor or as an end sensor with external monitoring resistor

SL NO/W as an end sensor with integrated monitoring resistor



Combination of sensors



Model with external resistor, thus avoiding variety in type

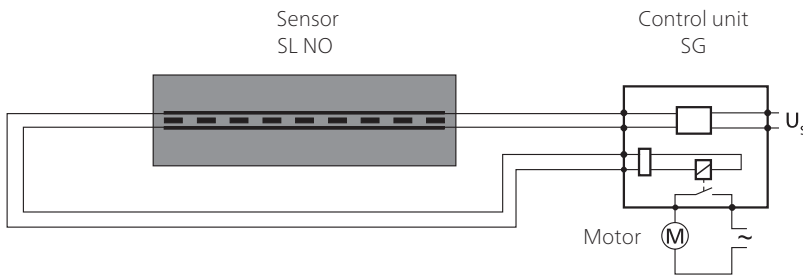
Combination:

- Connection of more than one sensor
- Only one control unit required
- Safety edge design with custom lengths and angles

Subject to technical modifications.

Operation principle 4-wire-technology

Unlike 2-wire technology, 4-wire-technology works **without** a monitoring resistor.



Note:

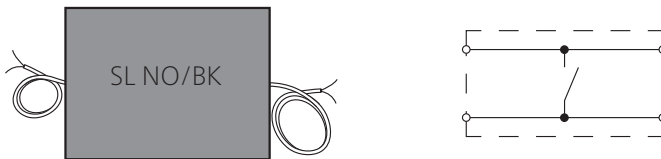
The 4-wire technology can be used only together with control unit SG-EFS 104/4L.

For your safety:

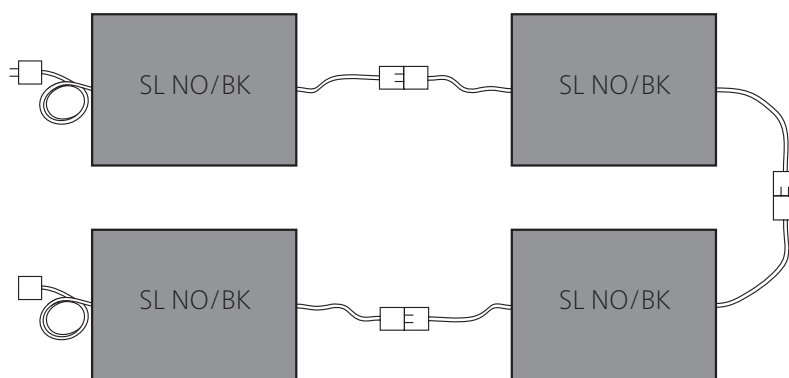
Sensor and connecting cables are constantly monitored for function. This is possible because of signal transmission feedback – without monitoring resistor.

Design

SL NO/BK with cables on both sides as a through sensor



Combination of sensors



Combination:

- Connection of more than one sensor
- Only one control unit required
- Safety edge design with custom lengths and angles

Subject to technical modifications.

Intended use

A safety edge detects a person or part of the body when pressure is applied to the actuation area. It is a linear tripping device. Its task is to avoid possible hazardous situations for a person within a danger zone, such as shearing and pinching edges.

Typical areas of application are door and gate systems, moving parts on machines, platforms and lifting devices.

Safe operation of a safety edge depends entirely on

- the surface condition of the mounting surface,
- the correct selection of the size and resistance as well as
- correct installation.

Tip

See ISO 13856-2 Appendix E.

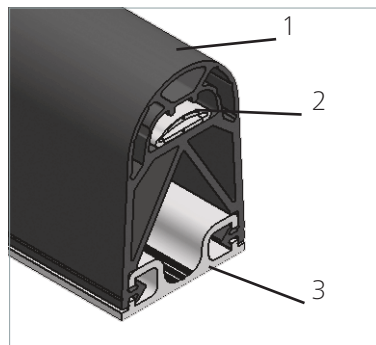
Limits

- Max. 10 sensors type BK on one control unit
- Max. 9 sensors type BK and 1 sensor type W on one control unit
- GP 38(L)-2, GP 58(L)-2 and GP 68-2 deviate with respect to the actuation angle from the requirements in ISO 13856-2 and EN 12978; the suitability for doors and gates must be examined on an individual basis.

Design

Tip

For the risk and safety assessment of your machine, we recommend ISO 12100 "Safety of machinery – Basic concepts; general principles for design".



The normally open safety edge SL NO consists of one sensor (1 to 3)

- (1) Rubber profile GP,
- (2) Normally open safety element SE 1 TPE,
- (3) Aluminium profile C 26 or C 36 and an evaluating control unit SG.

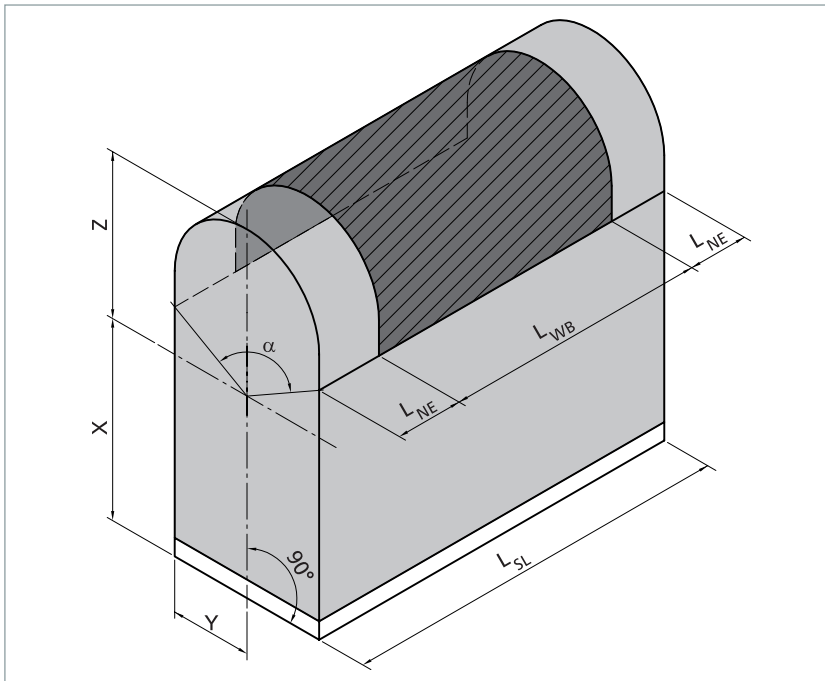
Subject to technical modifications.

Effective actuation area

The parameters X, Y, Z, L_{NE} and the angle α describe the effective actuation area.

For the effective actuation area, the following applies:

$$L_{WB} = L_{SL} - 2 \times L_{NE}$$



Parameters:

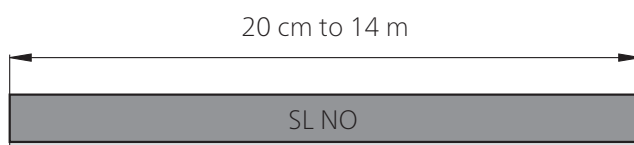
- L_{WB} = effective actuation length
- L_{SL} = overall length of the safety edge
- L_{NE} = non-sensitive length at the end of the safety edge
- α = effective actuation angle

	GP 38(L)-2	GP 58(L)-2	GP 68-2	GP 88-2
α	60°	60°	60°	90°
L_{NE}	30 mm	30 mm	40 mm	30 mm
X	30.5 mm	43.2 mm	53.2 mm	71.7 mm
Y	13 mm	18 mm	18 mm	20 mm
Z	9.5 mm	16.8 mm	16.8 mm	18.3 mm

ATTENTION

The effective actuation angle α of GP 38(L)-2, GP 58(L)-2 and GP 68-2 is 60°, which is smaller than the requirement of ISO 13856-2 and EN 12978.

Available lengths



Subject to technical modifications.

Bend angles and bend radii

Bend angles

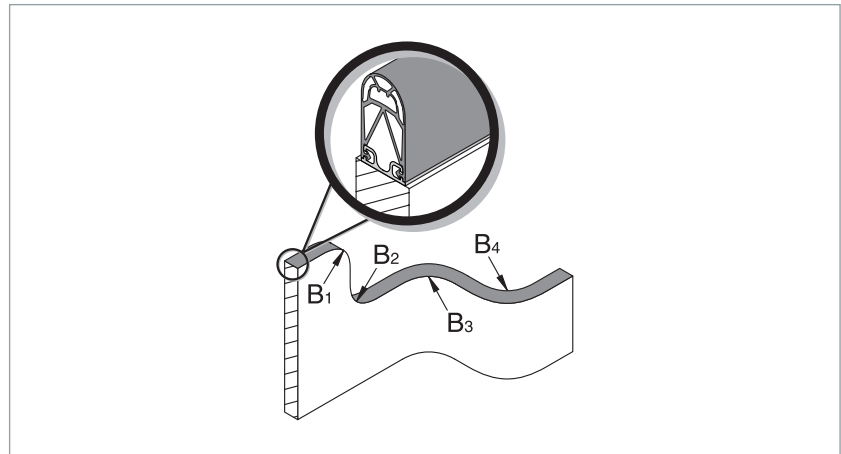
Bend angles are not possible on the safety edge.

Bend radii

Safety edges with a bend radius are only possible with the aluminium profiles C 26, C 36 and C 36S. The aluminium profile must be prepared in the factory for this.

Note:

Bend angles and bend radii are not part of the EC design tests.



Bend radii min.	GP 38-2	GP 58-2	GP 68-2	GP 88-2
B ₁	750 mm	750 mm	750 mm	750 mm
B ₂	750 mm	750 mm	750 mm	750 mm
B ₃	750 mm	750 mm	750 mm	750 mm
B ₄	750 mm	750 mm	750 mm	750 mm

Note:

Bend radii are not possible with GP 38L and GP 58L.

ATTENTION

No pressure may be exerted on the safety edge in non-operative mode.

Installation position

The installation position can be selected as required, i.e. all installation positions A to D as per ISO 13856-2 are possible.

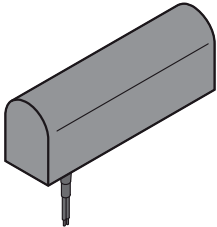
Subject to technical modifications.

Connection

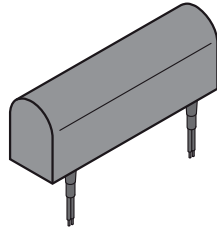
Cable exits

90° exit

Distance from front face 25 mm each; versions with cable bushing



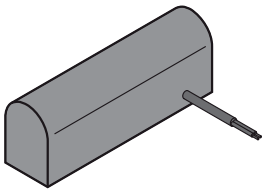
Version 11: SL NO/W



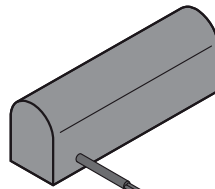
Version 5: SL NO/BK

Lateral exit

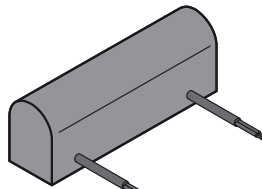
Distance to front face 25 mm each; versions without cable bushing



Version 15: SL NO/W



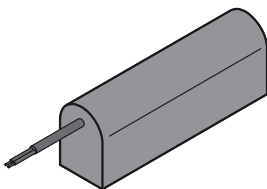
Version 16: SL NO/W



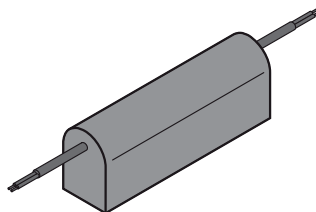
Version 17: SL NO/BK

Axial exit

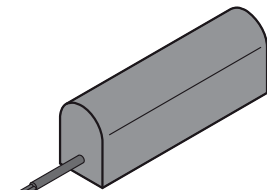
Versions without cable bushing



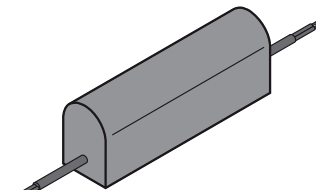
Version 9: SL NO/W



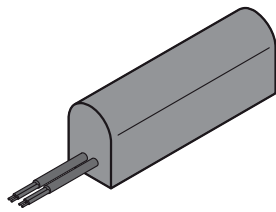
Version 1: SL NO/BK



Version 10: SL NO/W



Version 3: SL NO/BK



Version 4: SL NO/BK

Note

The standard is SL NO/W1k2. Optionally, SL NO/W8k2 or SL NO/W22k1 are also available.

Tip

With more than one sensor connected one behind the other, we recommend version 1, 3, 5 or 17.

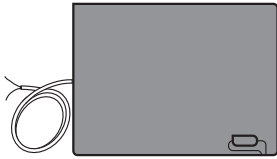
ATTENTION

The cables must be laid free of tension.

Subject to technical modifications.

Cable connection

Sensor type W



- As an individual sensor type W or an end sensor type W
- Integrated resistor
- 2-wire cable (Ø 3.7 mm TPE, 2x 0.22 mm²)
- Cable ends: Wires stripped
- Option: Cable ends available with plug and coupling

Sensor type BK with 2 lines



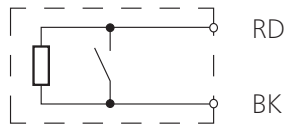
- As a feed-through sensor type BK
- Without resistor
- 2 two-wire cable (Ø 3.7 mm TPE, 2x 0.22 mm²)
- Cable ends: Wires stripped
- Option: Cable ends available with plug and coupling

Wire colours

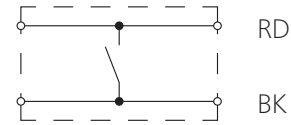
Colour coding

RD Red BK Black

Sensor type W



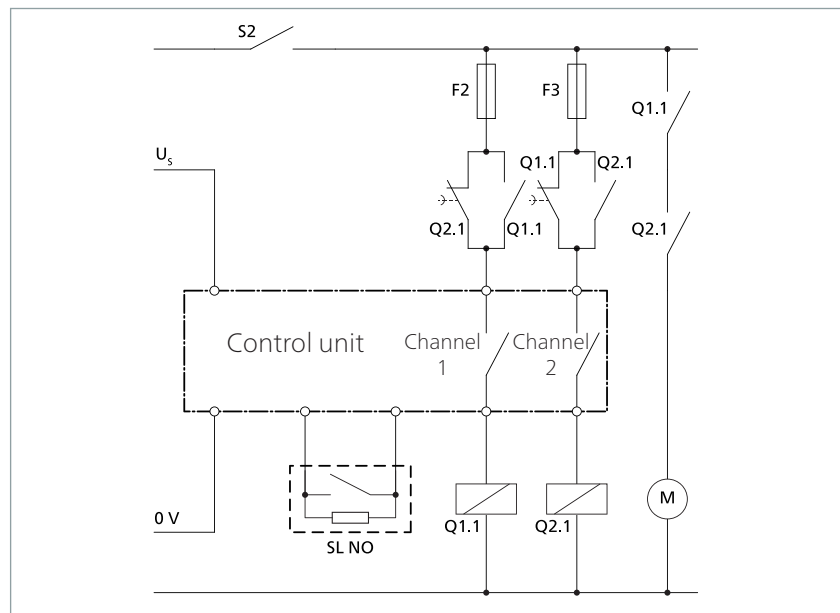
Sensor type BK with 2 lines



Connection examples

Connection example 1

Normally open safety edge to single-fault-safe control unit with dual channel extension.



Subject to technical modifications.

Physical resistance

Rubber profile GP	EPDM
Degree of protection (IEC 60529)	IP67
Hardness as per Shore A	
GP 58(L)-2, GP 68-2, GP 88-2	63 ±5
GP 38(L)-2	57 ±5

Chemical resistance

The sensor is resistant against normal chemical influences such as diluted acids and alkalis as well as alcohol over an exposure period of 24 hrs.

The values in the table are results of tests carried out in our laboratory. The suitability of our products for your special area of application must always be verified with your own practical tests.

Rubber profile GP	PDM
Acetone	+
Formic acid	+
Ammonia	+
Petrol	-
Brake fluid	±
Chloride solutions	+
Diesel oils	-
Greases	-
Household/sanitary cleaners	+
Isopropyl alcohol	+
Cooling lubricant	-
Metal working oil	-
Methyl alcohol	+
Oils	-
Ozone and weather conditions	+
Hydrochloric acid 10 %	+
Spirit (ethyl alcohol)	+
Carbon tetrachloride	-
Hydrogen peroxide 10 %	+
Water and frost	+

Explanation of symbols:

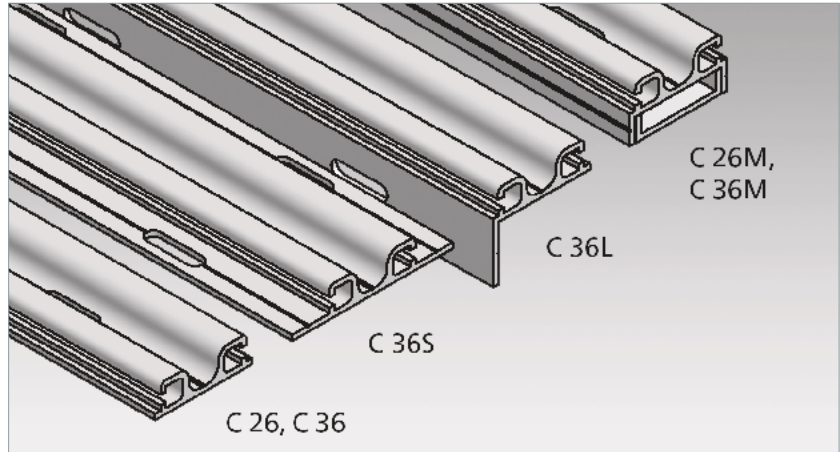
- + = resistant
- ± = resistant to a certain extent
- = not resistant

Note:

Tests are carried out at room temperature (+23 °C).

Attachment

The sensors are mounted directly to the dangerous main and secondary closing edges. The aluminium profiles C 26 and C 36 are used for mounting. The aluminium profiles are mounted with screws M5 or rivets.



Material properties

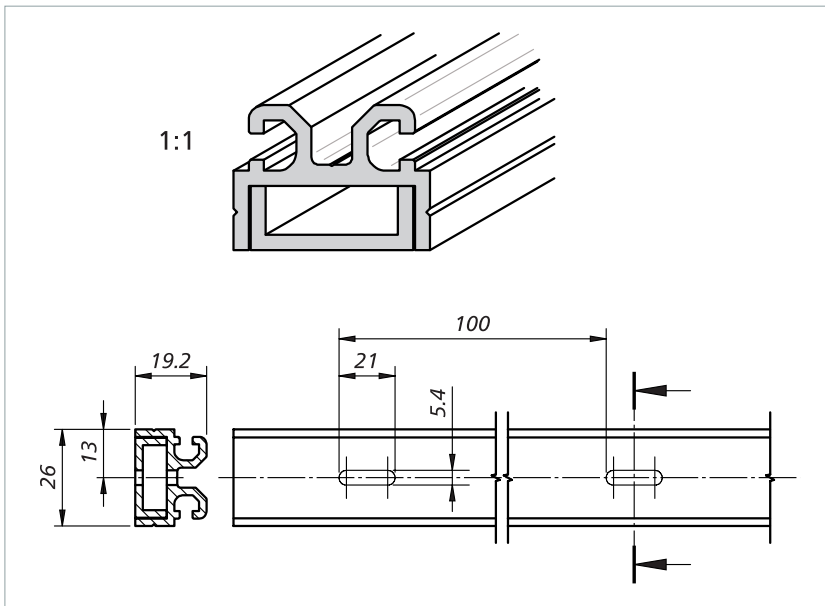
- AlMgSi0.5 F22
- Wall thickness 2 mm
- Tolerances as per EN 755-9
- extruded
- hot hardened

Aluminium profiles: Overview of combinations

Aluminium profiles for		GP 38(L)-2	GP 58(L)-2	GP 68-2	GP 88-2
Clip bars (outside)	...-2 ↳ ←	C 26 C 26M	C 36 C 36M, C 36L, C 36S	C 36 C 36M, C 36L, C 36S	C 36 C 36M, C 36L, C 36S

Subject to technical modifications.

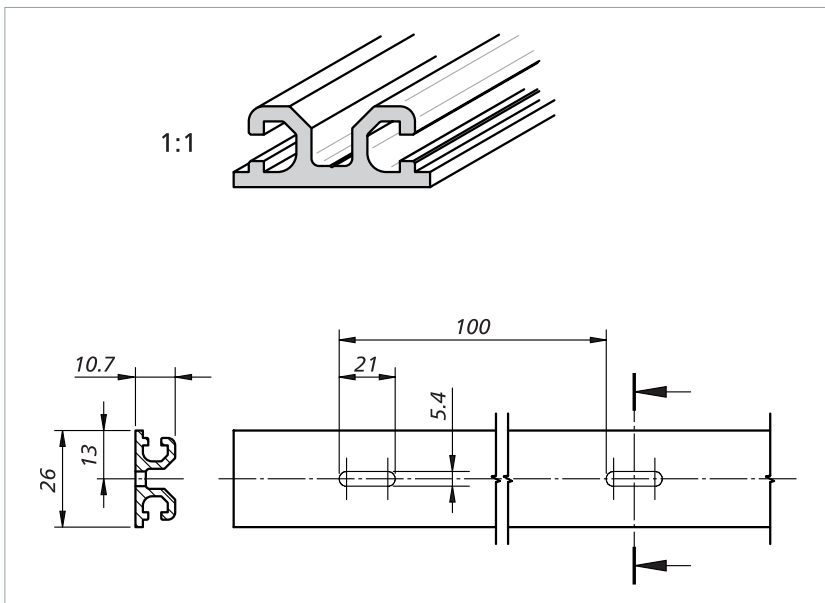
Aluminium profile C 26M



Two-part profile for GP 38(L)-2:

For convenient assembly and disassembly. The rubber profile is clipped into the upper section and the upper section inserted in the installed lower section and fastened.

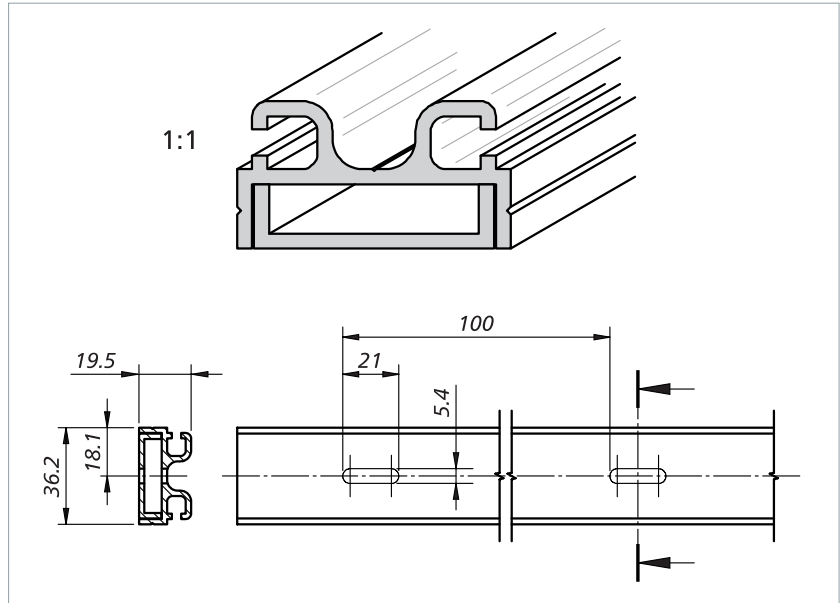
Aluminium profile C 26



Standard profile for GP 38(L)-2:

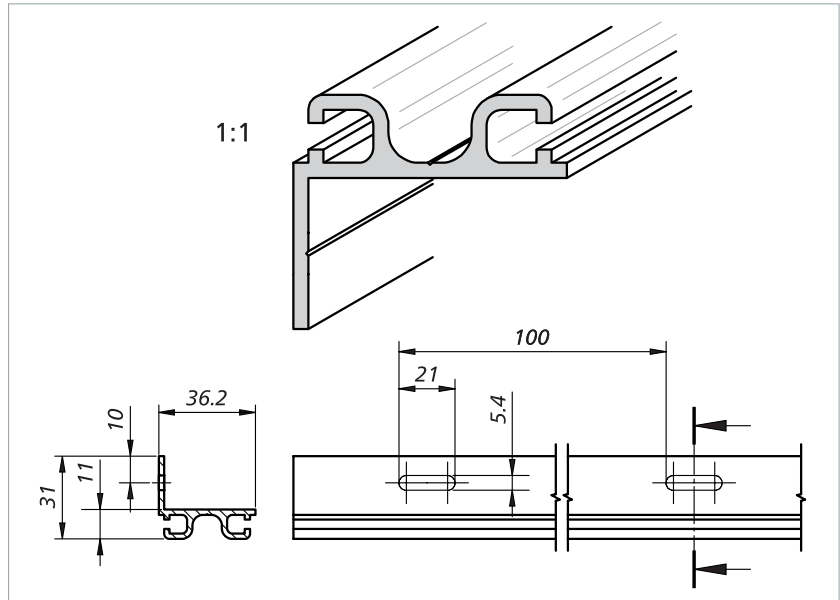
First the aluminium profile must be mounted to the closing edge and then the rubber profile clipped into the aluminium profile.

Aluminium profile C 36M



Two-part profile for GP 58(L)-2, GP 68-2 and GP 88-2:
For convenient assembly and disassembly. The rubber profile is clipped into the upper section and the upper section inserted in the installed lower section and fastened.

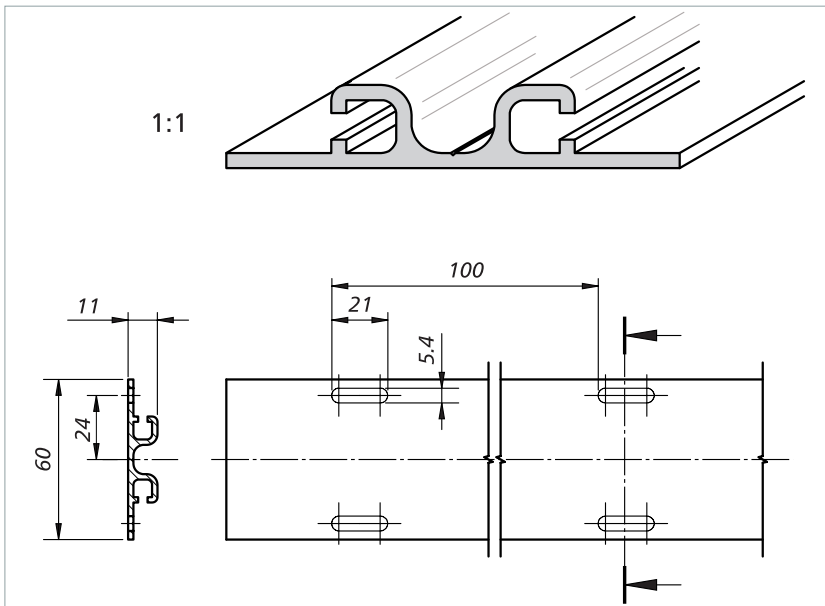
Aluminium profile C 36L



Angle profile for GP 58(L)-2, GP 68-2 and GP 88-2:
If the closing edge should or must not have assembly holes, this "round-the-corner" solution is suitable. Final assembly is also possible when the rubber profile is already clipped into the aluminium profile.

Subject to technical modifications.

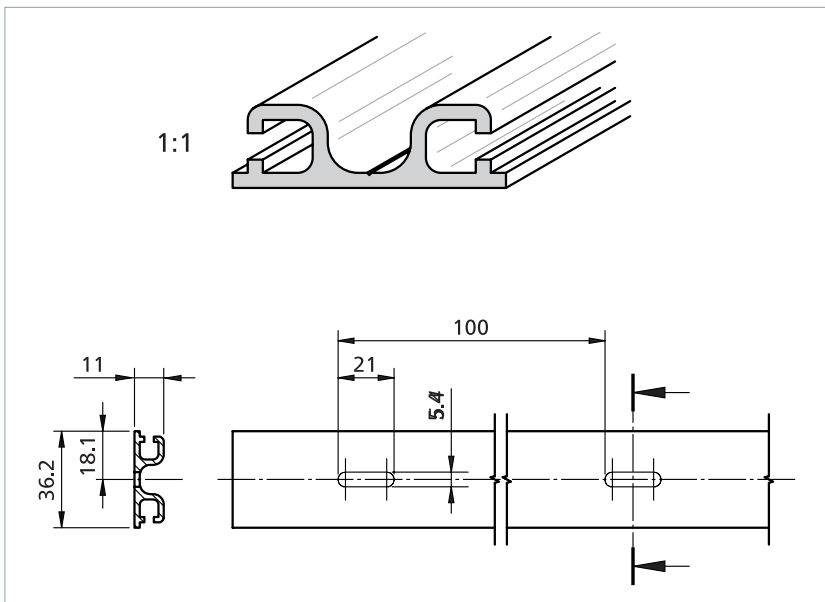
Aluminium profile C 36S



Flange profile for GP 58(L)-2, GP 68-2 and GP 88-2:

Final assembly is also possible when the rubber profile is already clipped into the aluminium profile.

Aluminium profile C 36



Standard profile for GP 58(L)-2, GP 68-2 and GP 88-2:

First the aluminium profile must be mounted to the closing edge and then the rubber profile clipped into the aluminium profile.

SL NO: The right selection

Calculation for selection of the safety

edge height

- s_1 = Stopping distance of the dangerous movement [mm]
- v = Velocity of the dangerous movement [mm/s]
- T = Follow-through of the complete system [s]
- t_1 = Response time safety edge
- t_2 = Stopping time of the machine
- s = Minimum overtravel distance of the safety edge so that the required limit forces are not exceeded [mm]
- C = Safety factor; if components susceptible to failures (braking system) exist in the system, a higher factor must be selected

The stopping distance of the dangerous movement is calculated using the following formula:

$$s_1 = 1/2 \times v \times T \quad \text{where: } T = t_1 + t_2$$

In accordance with ISO 13856-2, the minimum overtravel distance of the safety edge is calculated using the following formula:

$$s = s_1 \times C \quad \text{where: } C = 1,2$$

A suitable safety edge profile can now be selected based on the result. Overtravel distances of safety edge profile: see chapter "Dimensions and distances".

Calculation examples

Example 1

The dangerous movement on your machine has a velocity of $v = 10$ mm/s and can be brought to a standstill within $t_2 = 200$ ms. The relatively low velocity suggests that a short overtravel distance is to be expected. Therefore the safety edge SL NO GP 38-2 EPDM could be sufficient. The response time of the safety edge is $t_1 = 920$ ms.

$$s_1 = 1/2 \times v \times T \quad \text{where: } T = t_1 + t_2$$

$$s_1 = 1/2 \times 10 \text{ mm/s} \times (0.92 \text{ s} + 0.2 \text{ s})$$

$$\mathbf{s_1 = 1/2 \times 10 \text{ mm/s} \times 1.12 \text{ s} = 5.6 \text{ mm}}$$

$$s = s_1 \times C \quad \text{where: } C = 1.2$$

$$\mathbf{s = 5.6 \text{ mm} \times 1.2 = 6.72 \text{ mm}}$$

The safety edge must have a minimum overtravel distance of $s = 6.7$ mm. The selected SL NO GP 38-2 EPDM has an overtravel distance of at least 10.8 mm. This is more than the required 6.7 mm.

Result: The SL NO GP 38-2 EPDM is **suitable** for this case.

Note:

t_1 = sensor response time + control unit response time (typically 10 ms).

Example 2

The same conditions as in calculation example 1 with the exception of the velocity of the dangerous movement. This is now $v = 200 \text{ mm/s}$. The response time of the safety edge is $t_1 = 54 \text{ ms}$.

$$s_1 = 1/2 \times v \times T \quad \text{where: } T = t_1 + t_2$$

$$s_1 = 1/2 \times 200 \text{ mm/s} \times (0.054 \text{ s} + 0.2 \text{ s})$$

$$s_1 = 1/2 \times 200 \text{ mm/s} \times 0.254 \text{ s} = \mathbf{25.4 \text{ mm}}$$

$$s = s_1 \times C \quad \text{where: } C = 1.2$$

$$s = 25.4 \text{ mm} \times 1.2 = \mathbf{30.48 \text{ mm}}$$

The safety edge must have a minimum overtravel distance of $s = 30.5 \text{ mm}$. The selected SL NO GP 38-2 EPDM has an overtravel distance of at least 10.1 mm . This is less than the required 30.5 mm .

Result: The SL NO GP 38-2 EPDM is **not suitable** for this case.

Tip

For further selection criteria, see appendices C and E in ISO 13856-2.

Example 3

The same conditions as in calculation example 2. Instead of SL NO GP 38-2 EPDM the SL NO GP 68-2 EPDM is selected. The response time of the safety edge is $t_1 = 56 \text{ ms}$.

$$s_1 = 1/2 \times v \times T \quad \text{where: } T = t_1 + t_2$$

$$s_1 = 1/2 \times 200 \text{ mm/s} \times (0.056 \text{ s} + 0.2 \text{ s})$$

$$s_1 = 1/2 \times 200 \text{ mm/s} \times 0.256 \text{ s} = \mathbf{25.6 \text{ mm}}$$

$$s = s_1 \times C \quad \text{where: } C = 1.2$$

$$s = 25.6 \text{ mm} \times 1.2 = \mathbf{30.72 \text{ mm}}$$

The safety edge must have a minimum overtravel distance of $s = 30.7 \text{ mm}$ haben. The selected SL NO GP 68-2 EPDM has an overtravel distance of at least 32.2 mm . This is more than the required 30.7 mm .

Result: The SL NO GP 68-2 EPDM is **suitable** for this case.

Customised designs

In addition to the standard range, special solutions are also possible, such as

- Safety edges with sensitive ends
- Durability at high temperatures:
 - short-term (< 5 min) up to +100 °C
 - long-term (> 5 min) up to +80 °C
 - in the case of degree of protection: IP50
- Durability at low temperatures:
 - long term up to -40 °C

Subject to technical modifications.



Conformity

The CE symbol indicates that this Mayser product complies with the relevant EC directives and that the stipulated conformity assessments have been carried out.

The design type of the product complies with the basic requirements of the following directives:

- 2006/42/EG (Safety of Machinery)
- 2004/108/EG(EMC)

Safety aspects

Without reset function

When a safeguard without reset function is used (automatic reset), the reset function must be made available in some other way.

Performance Level (PL)

The PL was determined during a simplified procedure according to ISO 13849-1.

Fault exclusion according to ISO 13849-2 Table D.8: Non-closing of contact by pressure-sensitive equipment according to ISO 13856. In this case the sensor will no longer be taken into account in determining the PL. The entire pressure sensitive safety edge (Pressure-sensitive protection device) system can reach a maximum of PL d.

Is the safeguard appropriate?

The PL required for the hazard must be decided by the integrator. This is followed by the choice of safeguard.

Finally, the integrator needs to check whether the category and PL of the safeguard chosen are appropriate.

Maintenance and servicing

The sensor is maintenance-free.

The control unit also monitors the sensor.

Regular inspection

Depending on the utilisation, sensors need to be inspected at regular intervals (at least monthly)

- for functionality: by activating or applying the respective test sample.
- for damage: by a visual check.
- for fit between rubber and aluminium profile: by a visual check.

Cleaning

If necessary, clean the sensor with a mild cleaning agent.

Subject to technical modifications.

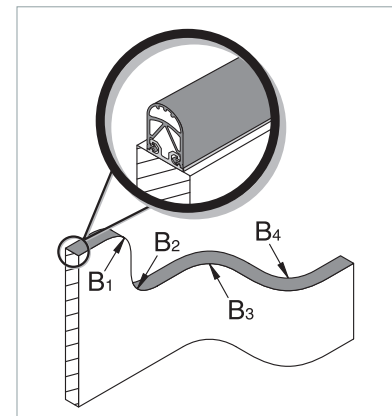
Technical data

GP 38-2 EPDM

Normally open safety edge SL NO consisting of sensor, aluminium profile C 26 and control unit SG-EFS 1X4 ZK2/1.

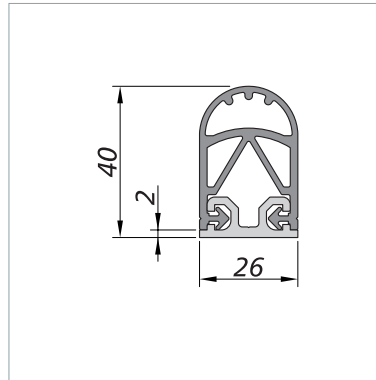
Testing basis	
ISO 13856-2	
Switching characteristics at $v_{\text{test}} = 200 \text{ mm/s}$	
Switching operations	10,000
Actuation force	
Test piece (cylinder) Ø 80 mm	< 150 N
Actuation distance	
Test piece (cylinder) Ø 80 mm	11 mm
Actuation angle	
Test piece (cylinder) Ø 80 mm	60°
Response time	54 ms
Finger detection	yes
Safety classifications	
ISO 13856: reset function	with/witout
ISO 13849-1:2015	Category 3 PL d
MTTF _D (pressure-sensitive protection device)	222 a
MTTF _D (sensor)	761 a
B _{10D} (sensor)	4× 10 ⁶
n _{op} (acceptance)	52560/a
Mechanical operating conditions	
Sensor length (min./max.)	20 cm / 14 m
Cable length (min./max.)	2 m / 100 m
Bend radii, minimum	
B1 / B2 / B3 / B4	750 / 750 / 750 / 750 mm
Operating speed (min. / max.)	10 mm/s / 200 mm/s
max. load capacity	600 N
IEC 60529: degree of protection	IP67
Humidity (max. at 23 °C)	95 % (non-condensing)
Operating temperature	-10 to +55 °C
Storage temperature	-30 to +70 °C
Weight	0.8 kg/m
Electrical operating conditions	
Number of sensors type BK	max. 10 in series
Switching voltage (max.)	DC 24 V
Switching current (max.)	10 mA
Connection cable	Ø 3.7 mm TPE 2× 0.22 mm ²
Dimensional tolerances	
Length as per	ISO 3302 L2
Profile section as per	ISO 3302 E2
Aluminium profile	EN 755-9

Bend radii:



Dimensions and distances

GP 38-2 EPDM (1:2)



Note:

Dimensional tolerances according to ISO 3302 E2/L2.

Test conditions

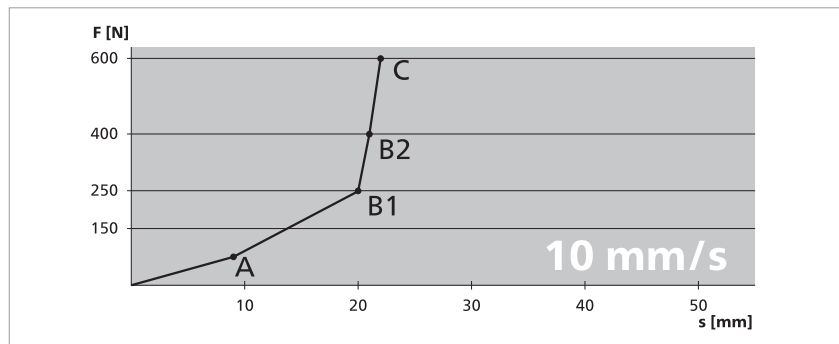
according to ISO 13856-2

- Installation position B
- Temperature +20 °C
- Measurement point c3
- Test sample 1 with Ø 80 mm
- without control unit

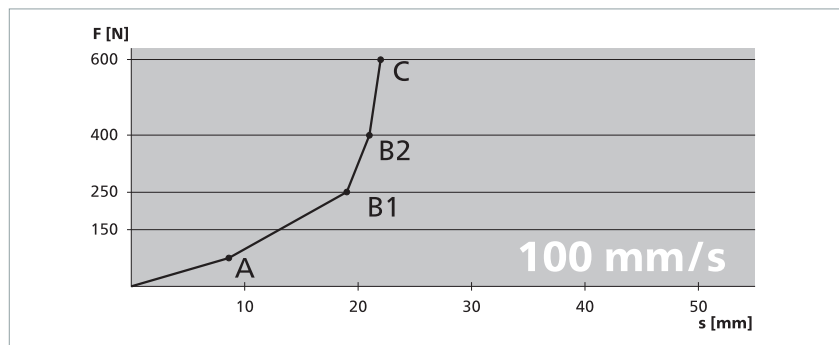
All data stated here is documented in EC design type test certificates.

Force-distance ratios

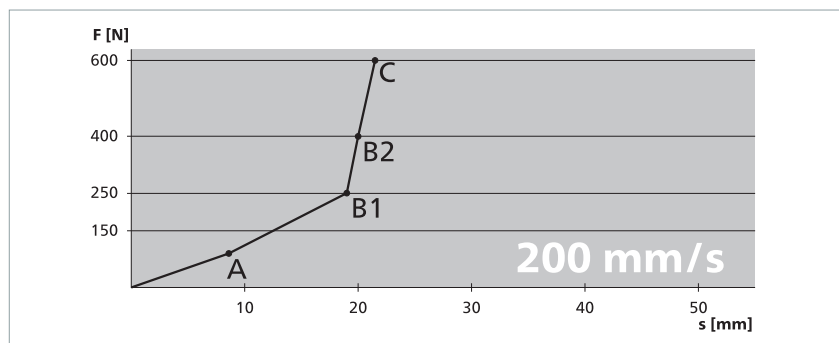
Actuation force	72 N
Response time	910 ms
Actuation distance (A)	9.1 mm
Overtravel distance	
up to 250 N (B1)	10.8 mm
up to 400 N (B2)	11.8 mm
up to 600 N (C)	12.9 mm
Total deformation	22 mm



Actuation force	83 N
Response time	86 ms
Actuation distance (A)	8.6 mm
Overtravel distance	
up to 250 N (B1)	10.5 mm
up to 400 N (B2)	12.1 mm
up to 600 N (C)	13.6 mm
Total deformation	22.2 mm



Actuation force	93
Response time	44 ms
Actuation distance (A)	8.8 mm
Overtravel distance	
up to 250 N (B1)	10.1 mm
up to 400 N (B2)	11.5 mm
up to 600 N (C)	12.7 mm
Total deformation	21.5 mm



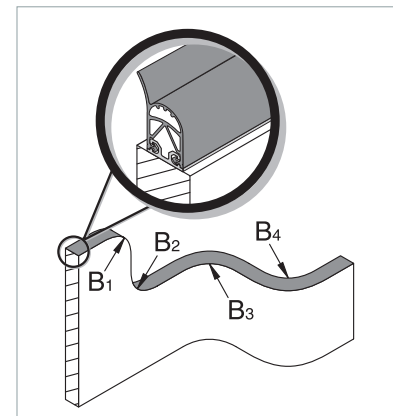
Technical data

GP 38L-2 EPDM

Normally open safety edge SL NO consisting of sensor, aluminium profile C 26 and control unit SG-EFS 1X4 ZK2/1.

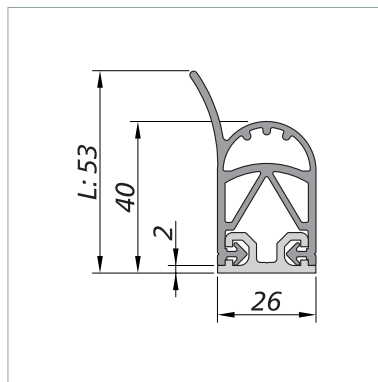
Testing basis	
ISO 13856-2	
Switching characteristics at $v_{\text{test}} = 200 \text{ mm/s}$	
Switching operations	10,000
Actuation force	
Test piece (cylinder) Ø 80 mm	< 150 N
Actuation distance	
Test piece (cylinder) Ø 80 mm	17 mm
Actuation angle	
Test piece (cylinder) Ø 80 mm	60°
Response time	84 ms
Finger detection	yes
Safety classifications	
ISO 13856: reset function	with/witout
ISO 13849-1:2015	Category 3 PL d
MTTF _D (pressure-sensitive protection device)	222 a
MTTF _D (sensor)	761 a
B _{10D} (sensor)	4× 10 ⁶
n _{op} (acceptance)	52560/a
Mechanical operating conditions	
Sensor length (min./max.)	20 cm / 14 m
Cable length (min./max.)	2 m / 100 m
Bend radii, minimum	
B1 / B2 / B3 / B4	750 / 750 / 750 / 750 mm
Operating speed (min. / max.)	10 mm/s / 200 mm/s
max. load capacity	600 N
IEC 60529: degree of protection	IP67
Humidity (max. at 23 °C)	95 % (non-condensing)
Operating temperature	+5 to +55 °C
Storage temperature	-30 to +70 °C
Weight	0.9 kg/m
Electrical operating conditions	
Number of sensors type BK	max. 10 in series
Switching voltage (max.)	DC 24 V
Switching current (max.)	10 mA
Connection cable	Ø 3.7 mm TPE 2× 0.22 mm ²
Dimensional tolerances	
Length as per	ISO 3302 L2
Profile section as per	ISO 3302 E2
Aluminium profile	EN 755-9

Bend radii:



Dimensions and distances

GP 38L-2 EPDM (1:2)



Note:

Dimensional tolerances according to ISO 3302 E2/L2.

Test conditions

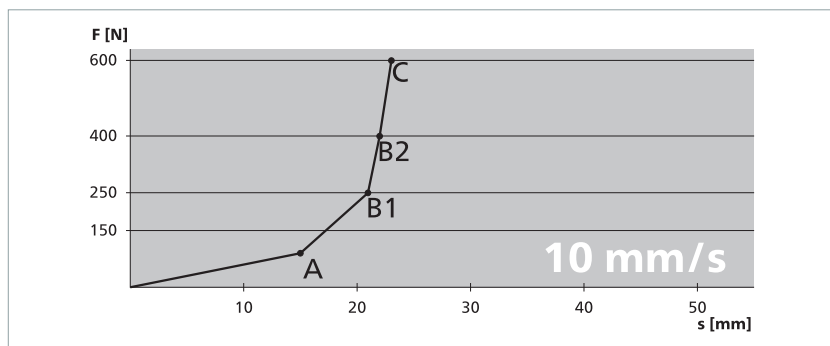
according to ISO 13856-2

- Installation position B
- Temperature +20 °C
- Measurement point c3
- Test sample 1 with Ø 80 mm
- without control unit

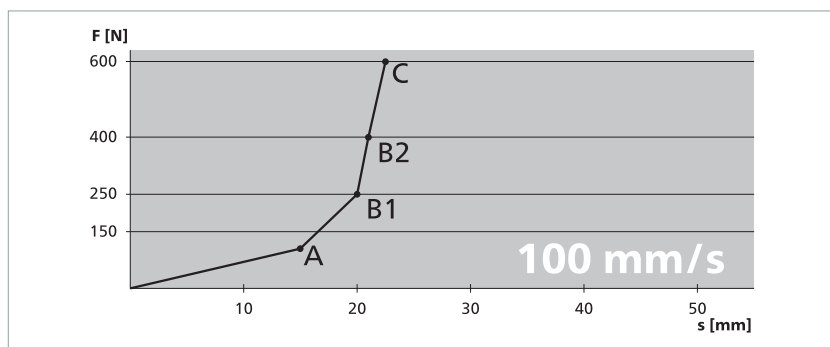
All data stated here is documented in EC design type test certificates.

Force-distance ratios

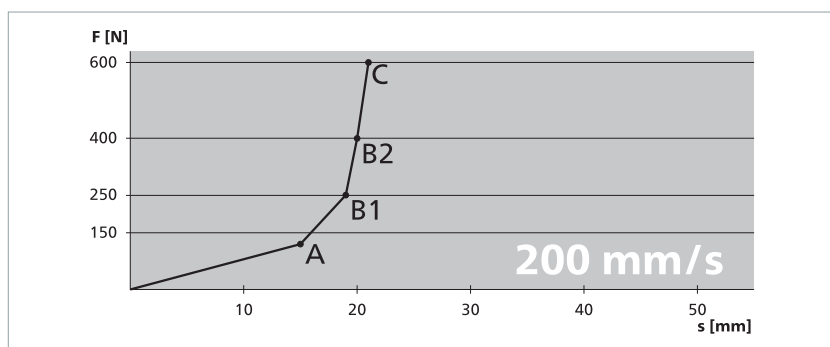
Actuation force	85 N
Response time	1470 ms
Actuation distance (A)	14.7 mm
Overtravel distance	
up to 250 N (B1)	6.1 mm
up to 400 N (B2)	7.4 mm
up to 600 N (C)	8.6 mm
Total deformation	23.3 mm



Actuation force	108 N
Response time	153 ms
Actuation distance (A)	15.3 mm
Overtravel distance	
up to 250 N (B1)	4.8 mm
up to 400 N (B2)	5.9 mm
up to 600 N (C)	7.2 mm
Total deformation	22.5 mm



Actuation force	120 N
Response time	73.5 ms
Actuation distance (A)	14.7 mm
Overtravel distance	
up to 250 N (B1)	4.2 mm
up to 400 N (B2)	5.1 mm
up to 600 N (C)	6.1 mm
Total deformation	20.8 mm



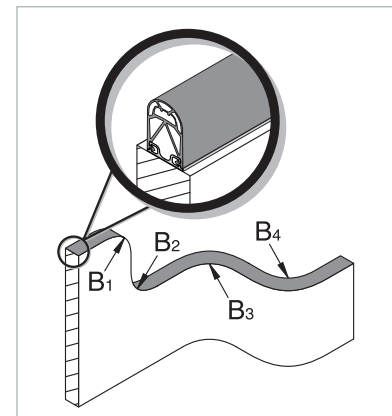
Technical data

GP 58-2 EPDM

Normally open safety edge SL NO consisting of sensor, aluminium profile C 36 and control unit SG-EFS 1X4 ZK2/1.

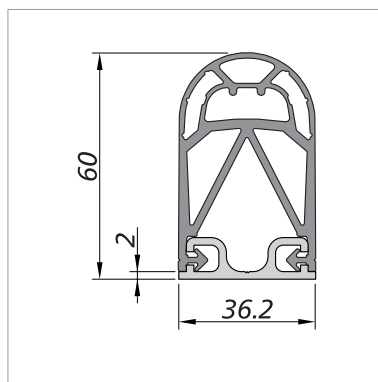
Testing basis	
ISO 13856-2	
Switching characteristics at $v_{\text{test}} = 200 \text{ mm/s}$	
Switching operations	10,000
Actuation force	
Test piece (cylinder) Ø 80 mm	< 150 N
Actuation distance	
Test piece (cylinder) Ø 80 mm	12 mm
Actuation angle	
Test piece (cylinder) Ø 80 mm	60°
Response time	70 ms
Finger detection	yes
Safety classifications	
ISO 13856: reset function	with/witout
ISO 13849-1:2015	Category 3 PL d
MTTF _D (pressure-sensitive protection device)	222 a
MTTF _D (sensor)	761 a
B _{10D} (sensor)	4× 10 ⁶
n _{op} (acceptance)	52560/a
Mechanical operating conditions	
Sensor length (min./max.)	20 cm / 14 m
Cable length (min./max.)	2 m / 100 m
Bend radii, minimum	
B1 / B2 / B3 / B4	750 / 750 / 750 / 750 mm
Operating speed (min. / max.)	10 mm/s / 200 mm/s
max. load capacity	600 N
IEC 60529: degree of protection	IP67
Humidity (max. at 23 °C)	95 % (non-condensing)
Operating temperature	0 to +55 °C
Storage temperature	-30 to +70 °C
Weight	1.3 kg/m
Electrical operating conditions	
Number of sensors type BK	max. 10 in series
Switching voltage (max.)	DC 24 V
Switching current (max.)	10 mA
Connection cable	Ø 3.7 mm TPE 2× 0.22 mm ²
Dimensional tolerances	
Length as per	ISO 3302 L2
Profile section as per	ISO 3302 E2
Aluminium profile	EN 755-9

Bend radii:



Dimensions and distances

GP 58-2 EPDM (1:2)



Note:

Dimensional tolerances according to ISO 3302 E2/L2.

Test conditions

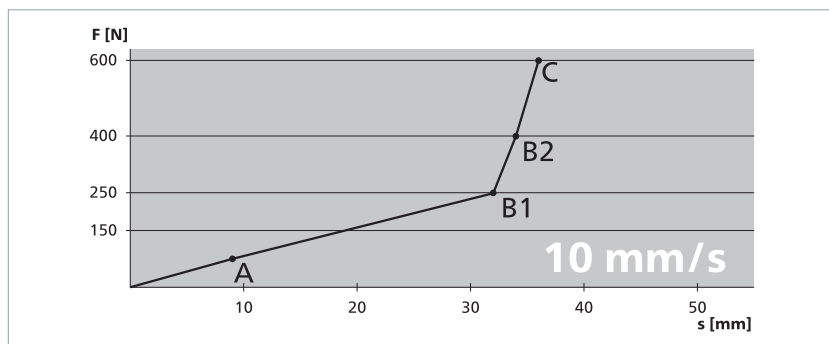
according to ISO 13856-2

- Installation position B
- Temperature +20 °C
- Measurement point c3
- Test sample 1 with Ø 80 mm
- without control unit

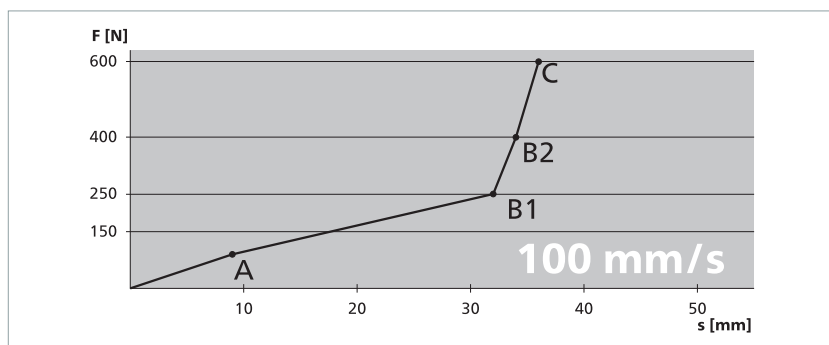
All data stated here is documented in EC design type test certificates.

Force-distance ratios

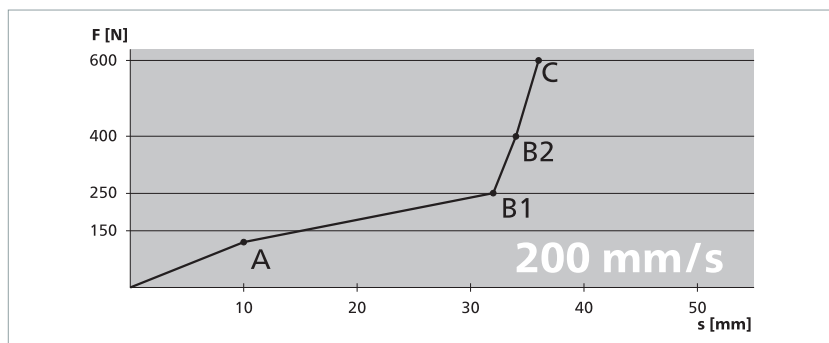
Actuation force	79 N
Response time	800 ms
Actuation distance (A)	8 mm
Overtravel distance	
up to 250 N (B1)	24.4 mm
up to 400 N (B2)	26.2 mm
up to 600 N (C)	28.8 mm
Total deformation	36.8 mm



Actuation force	99 N
Response time	87 ms
Actuation distance (A)	8.7 mm
Overtravel distance	
up to 250 N (B1)	23.1 mm
up to 400 N (B2)	25.2 mm
up to 600 N (C)	27.7 mm
Total deformation	36.4 mm



Actuation force	115 N
Response time	60 ms
Actuation distance (A)	9.8 mm
Overtravel distance	
up to 250 N (B1)	22 mm
up to 400 N (B2)	24.2 mm
up to 600 N (C)	26.3 mm
Total deformation	36.1 mm



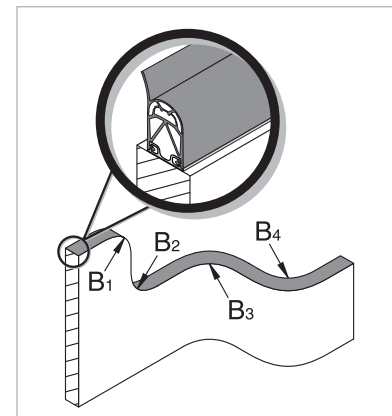
Technical data

GP 58L-2 EPDM

Normally open safety edge SL NO consisting of sensor, aluminium profile C 36 and control unit SG-EFS 1X4 ZK2/1.

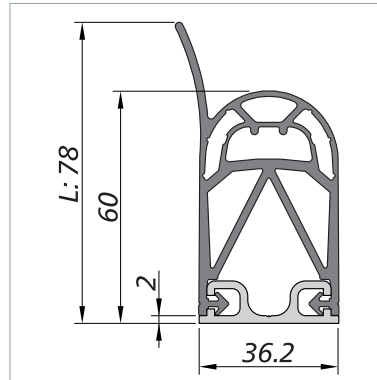
Testing basis	
ISO 13856-2	
Switching characteristics at $v_{\text{test}} = 200 \text{ mm/s}$	
Switching operations	10,000
Actuation force	
Test piece (cylinder) Ø 80 mm	< 150 N
Actuation distance	
Test piece (cylinder) Ø 80 mm	12 mm
Actuation angle	
Test piece (cylinder) Ø 80 mm	60°
Response time	70 ms
Finger detection	yes
Safety classifications	
ISO 13856: reset function	with/witout
ISO 13849-1:2015	Category 3 PL d
MTTF _D (pressure-sensitive protection device)	222 a
MTTF _D (sensor)	761 a
B _{10D} (sensor)	4× 10 ⁶
n _{op} (acceptance)	52560/a
Mechanical operating conditions	
Sensor length (min./max.)	20 cm / 14 m
Cable length (min./max.)	2 m / 100 m
Bend radii, minimum	
B1 / B2 / B3 / B4	750 / 750 / 750 / 750 mm
Operating speed (min. / max.)	10 mm/s / 200 mm/s
max. load capacity	600 N
IEC 60529: degree of protection	IP67
Humidity (max. at 23 °C)	95 % (non-condensing)
Operating temperature	0 to +55 °C
Storage temperature	-30 to +70 °C
Weight	1.3 kg/m
Electrical operating conditions	
Number of sensors type BK	max. 10 in series
Switching voltage (max.)	DC 24 V
Switching current (max.)	10 mA
Connection cable	Ø 3.7 mm TPE 2× 0.22 mm ²
Dimensional tolerances	
Length as per	ISO 3302 L2
Profile section as per	ISO 3302 E2
Aluminium profile	EN 755-9

Bend radii:



Dimensions and distances

GP 58L-2 EPDM (1:2)



Note:

Dimensional tolerances according to ISO 3302 E2/L2.

Test conditions

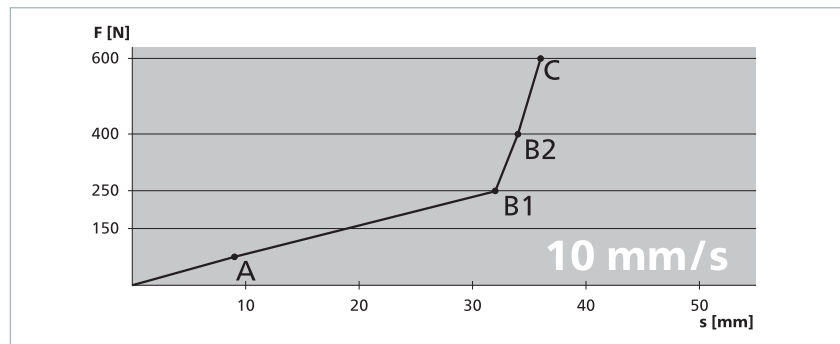
according to ISO 13856-2

- Installation position B
- Temperature +20 °C
- Measurement point c3
- Test sample 1 with Ø 80 mm
- without control unit

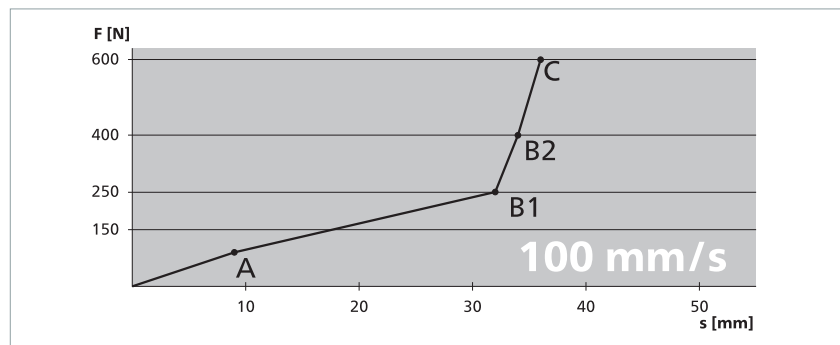
All data stated here is documented in EC design type test certificates.

Force-distance ratios

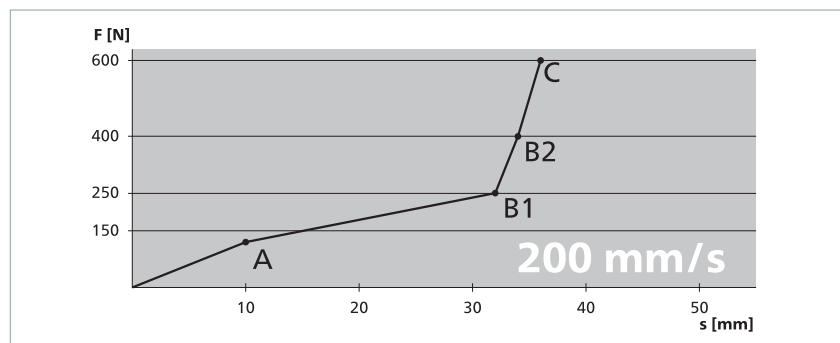
Actuation force	79 N
Response time	800 ms
Actuation distance (A)	8 mm
Overtravel distance	
up to 250 N (B1)	24.4 mm
up to 400 N (B2)	26.2 mm
up to 600 N (C)	28.8 mm
Total deformation	36.8 mm



Actuation force	99 N
Response time	87 ms
Actuation distance (A)	8.7 mm
Overtravel distance	
up to 250 N (B1)	23.1 mm
up to 400 N (B2)	25.2 mm
up to 600 N (C)	27.7 mm
Total deformation	36.4 mm



Actuation force	115 N
Response time	60 ms
Actuation distance (A)	9.8 mm
Overtravel distance	
up to 250 N (B1)	22 mm
up to 400 N (B2)	24.2 mm
up to 600 N (C)	26.3 mm
Total deformation	36.1 mm



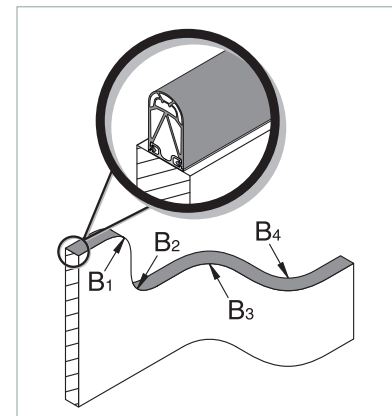
Technical data

GP 68-2 EPDM

Normally open safety edge SL NO consisting of sensor, aluminium profile C 36 and control unit SG-EFS 1X4 ZK2/1.

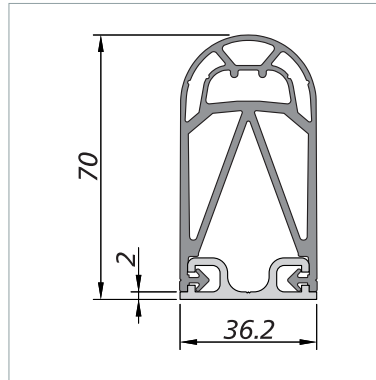
Testing basis	
ISO 13856-2	
Switching characteristics at $v_{\text{test}} = 200 \text{ mm/s}$	
Switching operations	10,000
Actuation force	
Test piece (cylinder) Ø 80 mm	< 150 N
Actuation distance	
Test piece (cylinder) Ø 80 mm	11 mm
Actuation angle	
Test piece (cylinder) Ø 80 mm	60°
Response time	56 ms
Finger detection	yes
Safety classifications	
ISO 13856: reset function	with/witout
ISO 13849-1:2015	Category 3 PL d
MTTF _D (pressure-sensitive protection device)	222 a
MTTF _D (sensor)	761 a
B _{10D} (sensor)	4× 10 ⁶
n _{op} (acceptance)	52560/a
Mechanical operating conditions	
Sensor length (min./max.)	20 cm / 14 m
Cable length (min./max.)	2 m / 100 m
Bend radii, minimum	
B1 / B2 / B3 / B4	750 / 750 / 750 / 750 mm
Operating speed (min. / max.)	10 mm/s / 200 mm/s
max. load capacity	600 N
IEC 60529: degree of protection	IP67
Humidity (max. at 23 °C)	95 % (non-condensing)
Operating temperature	0 to +55 °C
Storage temperature	-30 to +70 °C
Weight	1.4 kg/m
Electrical operating conditions	
Number of sensors type BK	max. 10 in series
Switching voltage (max.)	DC 24 V
Switching current (max.)	10 mA
Connection cable	Ø 3.7 mm TPE 2× 0.22 mm ²
Dimensional tolerances	
Length as per	ISO 3302 L2
Profile section as per	ISO 3302 E2
Aluminium profile	EN 755-9

Bend radii:



Dimensions and distances

GP 68-2 EPDM (1:2)



Note:

Dimensional tolerances according to ISO 3302 E2/L2.

Test conditions

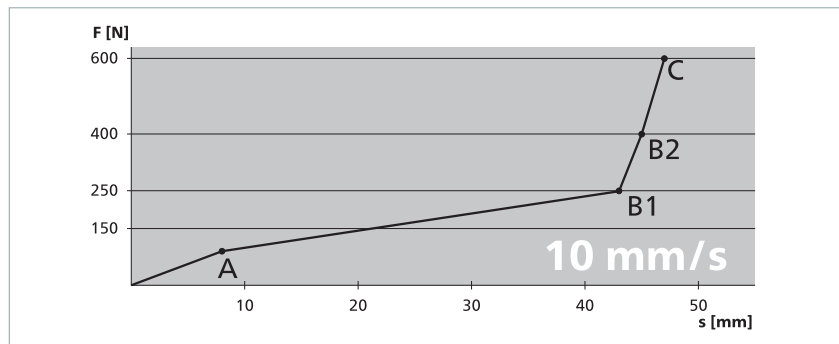
according to ISO 13856-2

- Installation position B
- Temperature +20 °C
- Measurement point c3
- Test sample 1 with Ø 80 mm
- without control unit

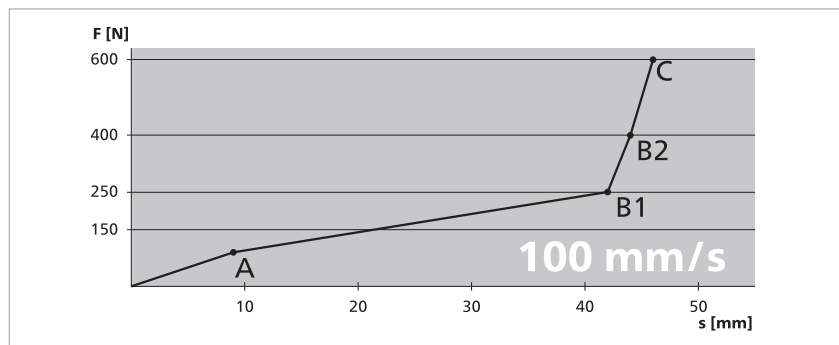
All data stated here is documented in EC design type test certificates.

Force-distance ratios

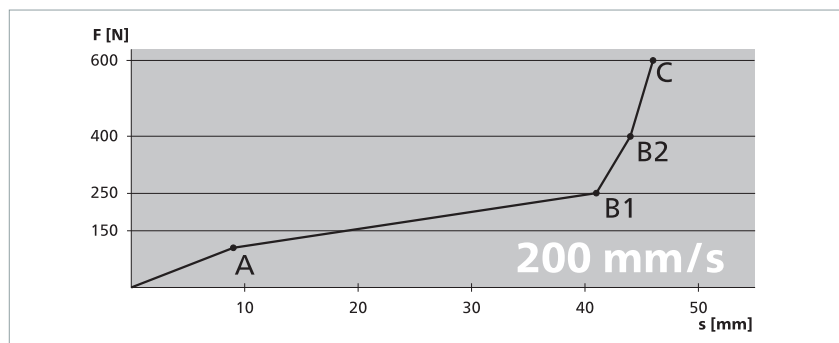
Actuation force	84 N
Response time	830 ms
Actuation distance (A)	8.3 mm
Overtravel distance	
up to 250 N (B1)	34.5 mm
up to 400 N (B2)	36.8 mm
up to 600 N (C)	38.8 mm
Total deformation	47.1 mm



Actuation force	96 N
Response time	91 ms
Actuation distance (A)	9.1 mm
Overtravel distance	
up to 250 N (B1)	32.6 mm
up to 400 N (B2)	36.6 mm
up to 600 N (C)	37.3 mm
Total deformation	46.4 mm



Actuation force	105 N
Response time	46 ms
Actuation distance (A)	9.2 mm
Overtravel distance	
up to 250 N (B1)	32.2 mm
up to 400 N (B2)	34.8 mm
up to 600 N (C)	37.3 mm
Total deformation	45.8 mm



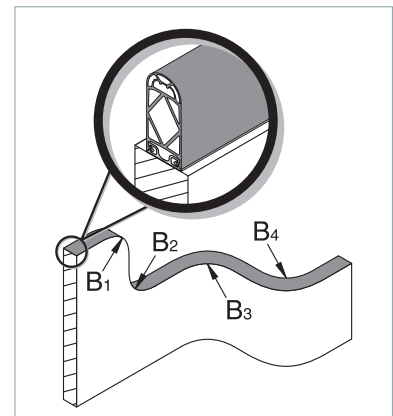
Technical data

GP 88-2 EPDM

Normally open safety edge SL NO consisting of sensor, aluminium profile c 36 and control unit SG-EFS 1X4 ZK2/1.

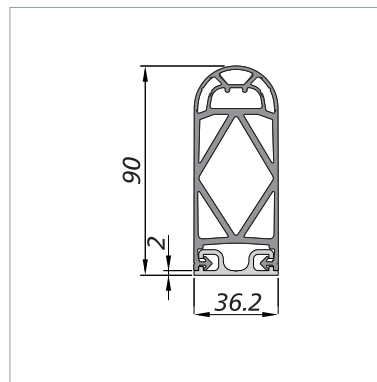
Testing basis	
ISO 13856-2	
Switching characteristics at $v_{\text{test}} = 200 \text{ mm/s}$	
Switching operations	10,000
Actuation force	
Test piece (cylinder) Ø 80 mm	< 150 N
Actuation distance	
Test piece (cylinder) Ø 80 mm	14 mm
Actuation angle	
Test piece (cylinder) Ø 80 mm	90° (Finger protection: 60°)
Response time	70 ms
Finger detection	yes
Safety classifications	
ISO 13856: reset function	with/witout
ISO 13849-1:2015	Category 3 PL d
MTTF _D (pressure-sensitive protection device)	222 a
MTTF _D (sensor)	761 a
B _{10D} (sensor)	4× 10 ⁶
n _{op} (acceptance)	52560/a
Mechanical operating conditions	
Sensor length (min./max.)	20 cm / 14 m
Cable length (min./max.)	2 m / 100 m
Bend radii, minimum	
B1 / B2 / B3 / B4	750 / 750 / 750 / 750 mm
Operating speed (min. / max.)	10 mm/s / 200 mm/s
max. load capacity	600 N
IEC 60529: degree of protection	IP67
Humidity (max. at 23 °C)	95 % (non-condensing)
Operating temperature	0 to +55 °C
Storage temperature	-30 to +70 °C
Weight	1.6 kg/m
Electrical operating conditions	
Number of sensors type BK	max. 10 in series
Switching voltage (max.)	DC 24 V
Switching current (max.)	10 mA
Connection cable	Ø 3.7 mm TPE 2× 0.22 mm ²
Dimensional tolerances	
Length as per	ISO 3302 L2
Profile section as per	ISO 3302 E2
Aluminium profile	EN 755-9

Bend radii:



Dimensions and distances

GP 88-2 EPDM (1:3)



Note:

Dimensional tolerances according to ISO 3302 E2/L2.

Test conditions

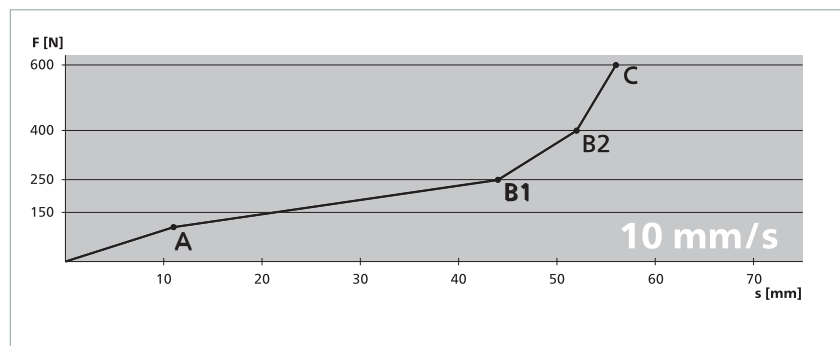
according to ISO 13856-2

- Installation position B
- Temperature +20 °C
- Measurement point c3
- Test sample 1 with Ø 80 mm
- without control unit

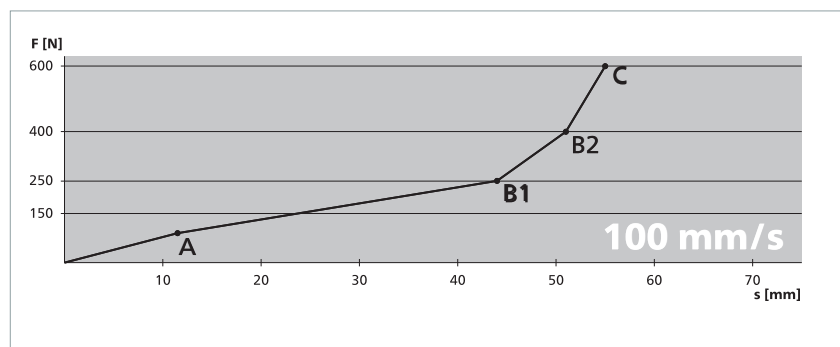
All data stated here is documented in EC design type test certificates.

Force-distance ratios

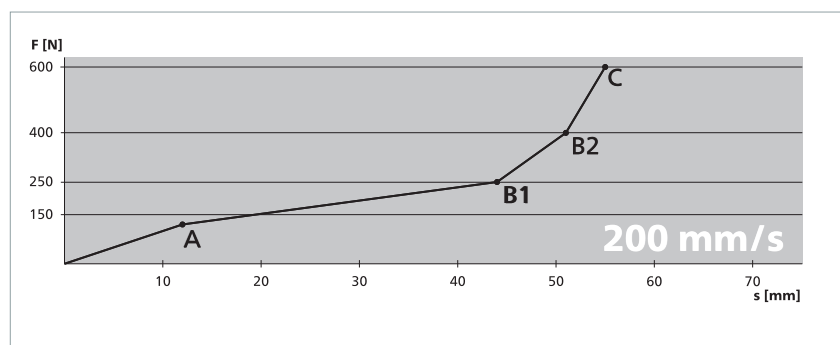
Actuation force	106 N
Response time	1100 ms
Actuation distance (A)	11 mm
Overtravel distance	
up to 250 N (B1)	33.7 mm
up to 400 N (B2)	41.3 mm
up to 600 N (C)	45.9 mm
Total deformation	56.9 mm



Actuation force	111 N
Response time	114 ms
Actuation distance (A)	11.4 mm
Overtravel distance	
up to 250 N (B1)	33.1 mm
up to 400 N (B2)	40 mm
up to 600 N (C)	43.7 mm
Total deformation	55.1 mm



Actuation force	127 N
Response time	60 ms
Actuation distance (A)	12 mm
Overtravel distance	
up to 250 N (B1)	32 mm
up to 400 N (B2)	38.9 mm
up to 600 N (C)	42.9 mm
Total deformation	54.9 mm



Request for quotation

Submitted by

Company

Department

Surname, first name

P.O. Box

Postcode

Town/city

Street

Postcode

Town/city

Phone

Fax

E-mail

Fax:**+49 731 2061-222****Area of application**

(e.g. door and gate systems, machine closing edges, textile machines, local public transport, ...)

Environmental conditions dry water oil aggressive substances: Coolant, type: _____ Solvent, type: _____ other: _____ room temperature other: from _____ °C to _____ °C**Mechanical conditions** The stopping distance of the system is max. _____ mm sensitive ends non-sensitive ends allowed cable exit version _____ number of monitoring circuits: _____ SG- _____**Pinching and shearing edges to be protected:**

(Sketch incl. mounting possibility and cable routing)

⤵ Please do not write ⤵
in this column!
For internal notes only

[Empty page]



Normally closed safety edges SL NC II



EN | Product information

Mayser GmbH & Co. KG

Örlinger Straße 1-3

89073 Ulm

GERMANY

Phone: +49 731 2061-0

Fax: +49 731 2061-222

E-mail: info.ulm@mayser.com

Internet: www.mayser.com

Contents

Definitions	4
Pressure-sensitive protection device	4
Operation principle 2-wire-technology	5
Safety	7
Intended use	7
Limits	7
Exclusions	7
Other safety aspects	8
Design	8
Effective actuation area	9
Installation position	9
Connection	10
Cable exits	10
Cable connection	11
Wire colours.....	11
Connection examples	12
Sensor surface	13
Physical resistance.....	13
Chemical resistance	13
Attachment	14
Aluminium profile C 26M.....	14
Aluminium profile C 26.....	15
Aluminium profile C 36M.....	15
Aluminium profile C 36L.....	16
Aluminium profile C 36S	16
Aluminium profile C 36.....	17
Aluminium profiles: Overview of combinations	17
SL NC II: The right selection	18
Calculation for selection of the safety edge height.....	18
Calculation examples	18
Accessories	20

Copyright

The reproduction, distribution and utilization of this document as well as the communication of its contents without express authorization are prohibited. Offenders will be held liable for the payment of damages. All rights reserved in the event of the grant of a patent, utility model or design.

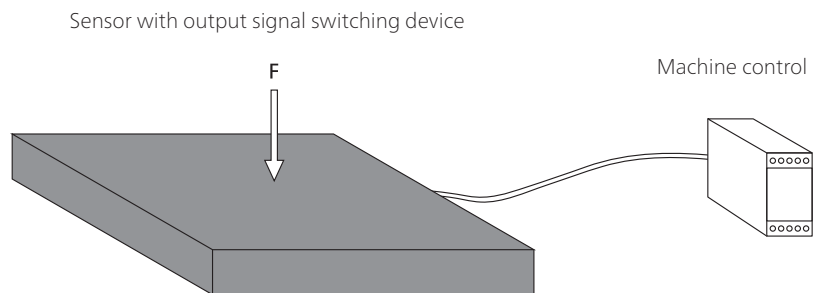
© Mayser Ulm 2020

Maintenance and cleaning	20
Technical data	21
GP 48-2 NBR with C 26.....	21
GP 48-2 EPDM with C 26.....	23
GP 65-2 EPDM with C 36.....	25
GP 100-2 EPDM with C 36.....	27
Conformity	29
Conformity.....	29
EC design test.....	29
UL certification	29

Definitions

Pressure-sensitive protection device

A pressure-sensitive protection device consists of pressure-sensitive sensor(s), signal processing and output signal switching device(s). A pressure-sensitive protection device with switching type NC combines a sensor and an output signal switching device. That means that such a pressure-sensitive protection device can be used without a control unit. The pressure-sensitive protection device is triggered when the sensor is activated.

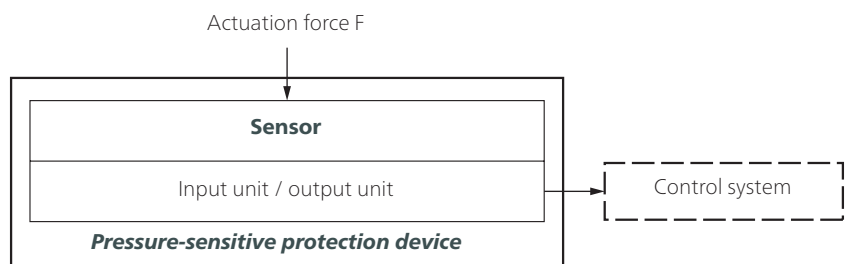


Sensor

The sensor is the part of the pressure-sensitive protection device that generates a signal when the actuating force F is applied. Mayser safety systems have a sensor whereby the actuating surface is deformed locally.

Signal processing

A pressure-sensitive protection device with switching type NC is designed only with an input and output unit for signal processing. The output unit is connected directly to the downstream control.



Tip: Terms are defined in ISO 13856-1, Chapter 3.

Criteria for selecting the sensor type

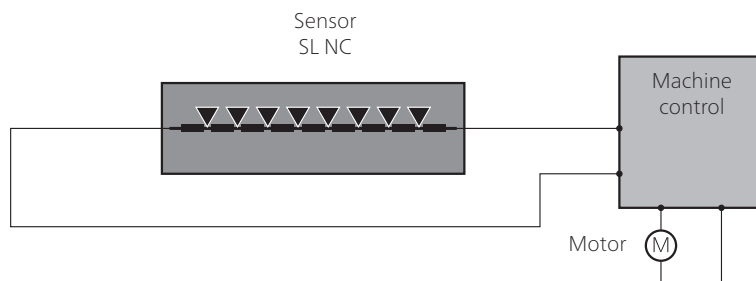
- Category according to ISO 13849-1
- Performance level of pressure-sensitive protection device = at least PL_r
- Temperature range
- Degree of protection in accordance with IEC 60529:
IP67 is the standard for safety edges.
Higher degrees of protection must be checked individually.
- Environmental influences such as swarf, oil, coolant, outdoor use...
- Finger detection necessary?

Tip: For additional sensor selection criteria, please refer to ISO 13856-2 Appendix C and Appendix E.

Operation principle 2-wire-technology

The sensor is designed with integrated **positive break** safety elements in the form of contact chains. A control unit is not necessary, since the NC contact principle provides the output signal directly to the downstream control.

Optionally, the sensor can also be operated with an emergency stop component or a control unit.



For your safety:

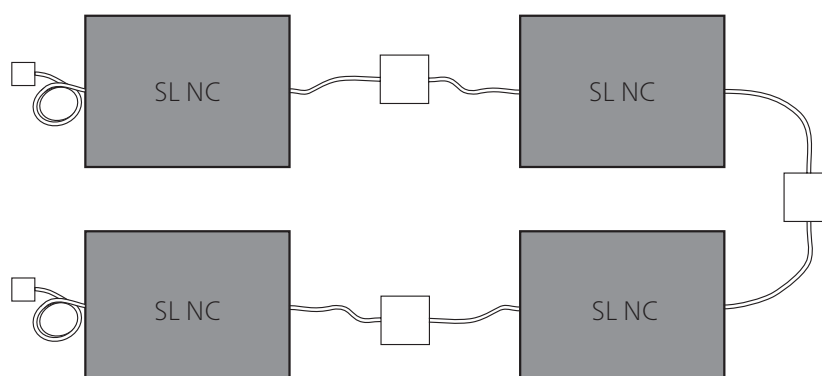
Sensor and connecting cables are constantly monitored for function. This is possible because of signal transmission feedback – without a monitoring resistor.

Design

SL NC with two 1-strand cables as a through sensor



Combination of sensors



Combination:

- Connection of more than one sensor
- only one emergency stop component necessary
- Safety edge design with custom lengths and angles

Subject to technical modifications.

Safety

Intended use

A safety edge detects a person or part of the body when pressure is applied to the actuation area. It is a linear tripping device. Its task is to avoid possible hazardous situations for a person within a danger zone, such as shearing and pinching edges.

Typical areas of application are door and gate systems, moving parts on machines, platforms and lifting devices.

Safe operation of a safety edge depends entirely on

- the surface condition of the mounting surface,
- the correct selection of the size and resistance as well as
- correct installation.

For additional application guidelines refer to ISO 13856-2 Annex E.

Due to the design, the visible actuation area is reduced by the non-sensitive edges. What remains is the actual effective actuation area (see chapter *Effective actuation area*).

Limits

A maximum of 10 sensors may be operated in series.

GP 48-2 deviates with respect to the actuation angle from the requirements in ISO 13856-2 and EN 12978; the suitability for doors and gates must be examined on an individual basis.

Exclusions

The sensors are not suitable:

- for detecting fingers
- for areas of application with high levels of vibration
- for performing a sealing function. Continuous actuation can cause permanent damage to sensors.

Other safety aspects

Performance Level (PL)

The PL was determined during a simplified procedure according to ISO 13849-1. Exclusion of error according to ISO 13849-2, Table D.4: Short circuit between two conductors that are permanently installed and protected against external damage. In this case the diagnostic coverage (DC) of the cables is not calculated and is not used in determining the PL. Assuming the control unit has a high $MTTF_D$ value, the entire safety edge system (pressure-sensitive safety device) can achieve the maximum value PL d.

Is the safeguard appropriate?

The PL required for the hazard must be decided by the integrator. This is followed by the choice of safeguard.

Finally, the integrator needs to check whether the category and PL of the safeguard chosen are appropriate.

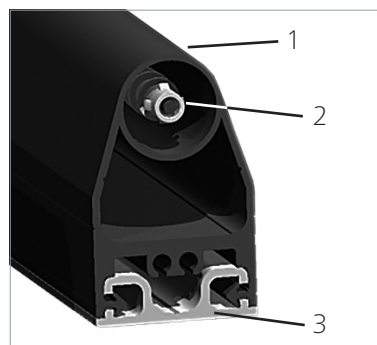
Risk and safety assessment

For the risk and safety assessment of your machine we recommend ISO 12100 „Safety of machinery – general principles for design“.

Without reset function

When a safeguard without a reset function is used (automatic reset), the reset function must be made available in some other way.

Design



The Normally closed safety edge SL/NC II consists of
(1) Rubber profile GP,
(2) Contact chain made of connected positive break normally closed contacts and
(3) Aluminium profile C 26 or C 36.

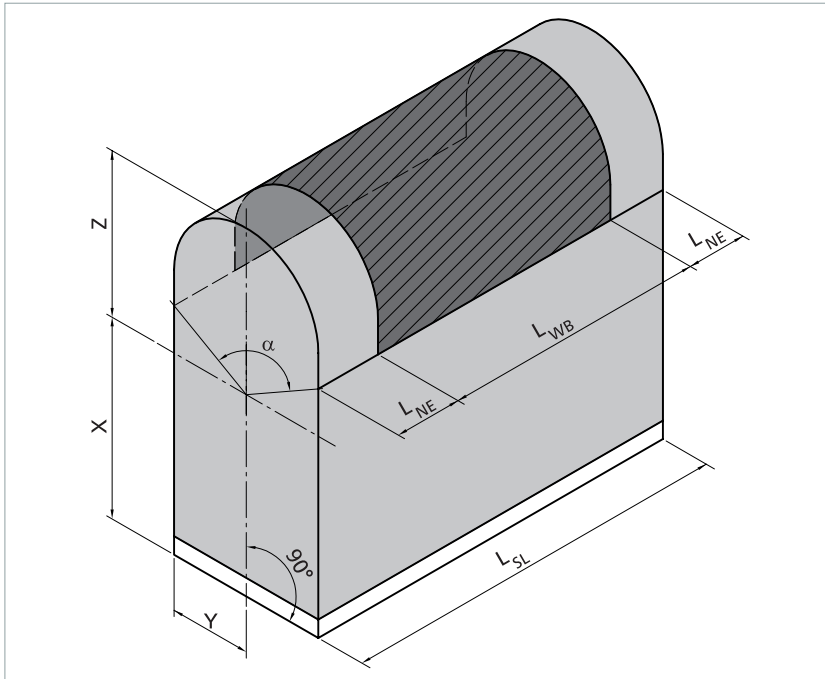
The positive break contact chain simultaneously carries out the functions of the sensor, signal processing and output signal switching device. Therefore, a special control unit is not necessary.

Effective actuation area

The parameters X, Y, Z, L_{WB} and the angle α describe the effective actuation area.

For the effective actuation area, the following applies:

$$L_{WB} = L_{SL} - 2 \times L_{NE}$$



Parameters:

L_{WB} = effective actuation length
 L_{SL} = overall length of the safety edge

L_{NE} = non-sensitive length at the end of the safety edge

α = effective actuation angle

SL NC II	GP 48-2	GP 65-2	GP 100-2
α	60°	90°	90°
L_{NE}	50 mm	50 mm	40 mm
X	40 mm	52 mm	85 mm
Y	13 mm	18 mm	18 mm
Z	8 mm	13 mm	14 mm

The effective actuation angle α (60°) for GP 48-2 falls below the requirements of ISO 13856-2 and EN 12978.

Installation position

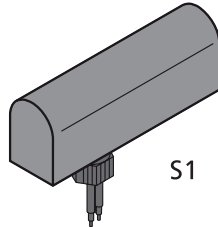
The installation position can be selected as required, i.e. all installation positions A to D as per ISO 13856-2 are possible.

Connection

Cable exits

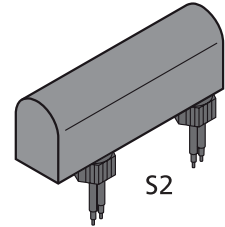
90° exit

Distance to front end each 60 mm



S1

S1: 1 connection

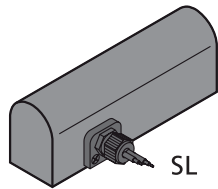


S2

S2: 2 connections

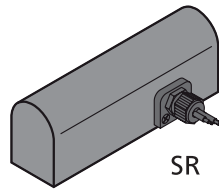
Lateral exit

Distance to front end each 60 mm



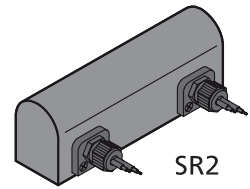
SL

SL: lateral exit left



SR

SR: lateral exit right

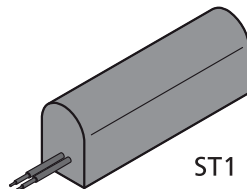


SR2

SR2: 2 connections

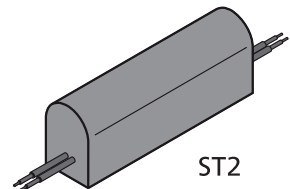
Axial exit

without PG-screw connection



ST1

ST1: Axial exit



ST2

ST2: 2 connections

In the case of several sensors connected in sequence, we recommend version S2, SR2 or ST2. These versions provide an additional line in the rubber profile for feedback to the control.

Subject to technical modifications.

Cable connection

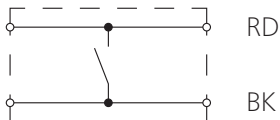
- Cable: Ø 3.3 mm PVC, 1× 0.5 mm²; double insulated, short-circuit-proof, highly flexible
- Cable length depends on the sensor length:
A cable with a length of 7.5 m is installed in the sensor as standard equipment. Due to internal cable routing from the connections the cable exits, the connection cable length is determined as follows:
Standard cable length minus sensor length.
For example, 7.5 m - 6 m = 1.5 m
Option: can be expanded up to a maximum length of 100 m
- Cable ends: wires stripped
Option: Cable ends available with plug and coupling

For the wiring between the sensor and the downstream control the cables must be installed permanently and protected against external damage, for example in cable conduits or armoured conduits. In areas where this is not possible, each cable must be routed in a separate sheath.

This prevents

- line termination and therefore loss of the protective function and
- downgrading of the safety classification.

Wire colours



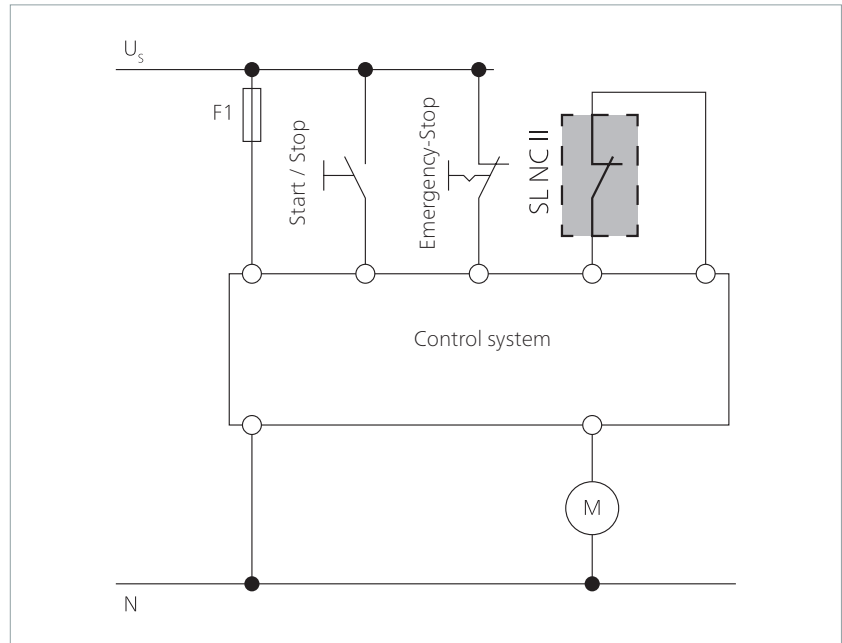
Colour coding

BK	Black
RD	Red

Connection examples

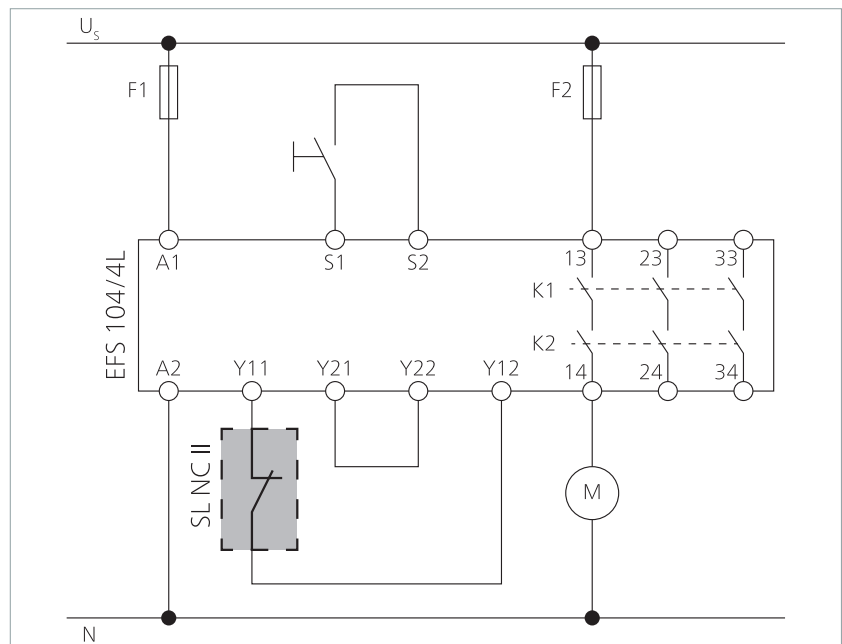
Connection example 1

NC safety edge connected directly to the control. Protective devices in accordance with ISO 13849 1 to PL d are possible, if the control has a performance level of d or higher.



Connection example 2

NC safety edge connected to the Mayser SG-EFS 104/4L control unit. Performance level up to PL d in accordance with ISO 13849-1 is possible.



The NC safety edge and the SG EFS 104/4L sensor are certified to UL 508.

Subject to technical modifications.

Sensor surface

Physical resistance

Rubber profile GP	EPDM	NBR
Degree of protection (IEC 60529)	IP67	IP67
Hardness per Shore A	65 ±5	70 ±5

Chemical resistance

The sensor is resistant against normal chemical influences such as diluted acids and alkalis as well as alcohol over an exposure period of 24 hrs.

The specifications in the table are the result of tests conducted in our lab at room temperature (+23 °C). The suitability of our products for your special area of application must always be verified with your own practical tests.

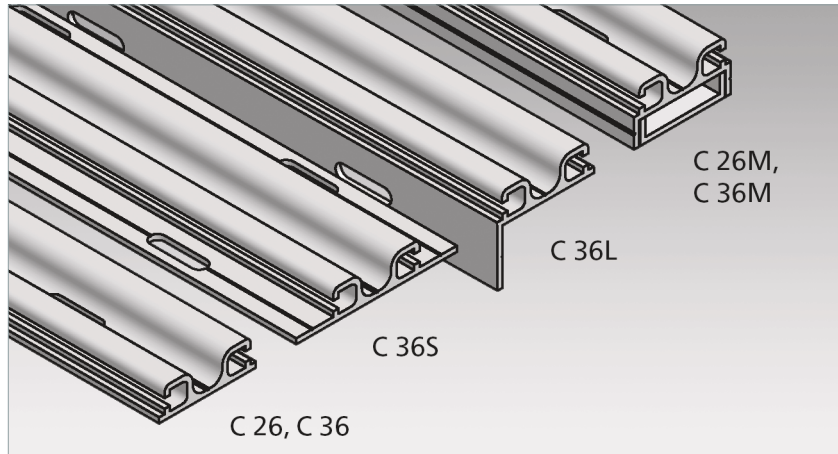
Material	EPDM	NBR
Acetone	+	±
Formic acid	+	+
Ammonia	+	+
Petrol	-	+
Brake fluid	±	±
Chloride solutions	+	+
Diesel oils	-	+
Greases	-	+
Household-/sanitary cleaners	+	+
Isopropyl alcohol	+	+
Cooling lubricant	-	+
Metal working oil	-	+
Methyl alcohol	+	+
Oils	-	+
Ozone and weather conditions	+	-
Hydrochloric acid 10 %	+	+
Spirit (ethyl alcohol)	+	+
Carbon tetrachloride	-	+
Hydrogen peroxide 10 %	+	+
Water and frost	+	-

Explanation of symbols:

- + = resistant
- ± = resistant to a certain extent
- = not resistant

Attachment

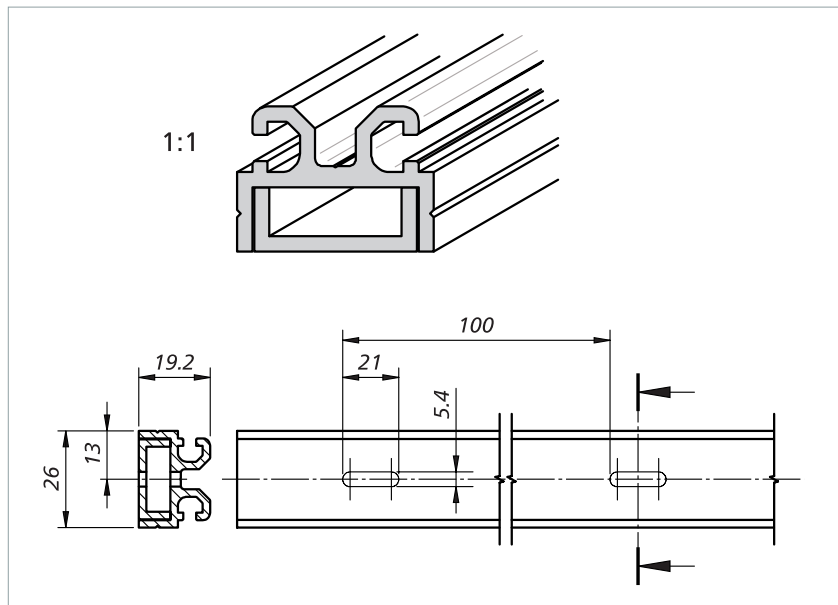
The sensors are mounted directly to the dangerous main and secondary closing edges. The aluminium profiles C 26 and C 36 are used for mounting. The aluminium profiles are mounted with screws M5 or rivets.



Material properties

- AlMgSi0.5 F22
- Wall thickness 2 mm
- Tolerances as per EN 755-9
- extruded
- hot hardened

Aluminium profile C 26M

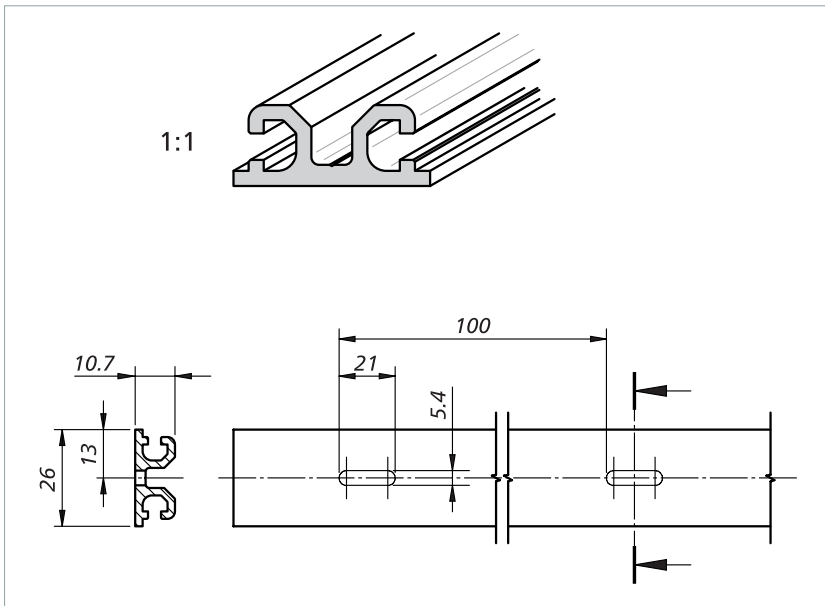


Two-part profile for GP 48-2:

For convenient assembly and disassembly. The rubber profile is clipped into the upper section and the upper section inserted in the installed lower section and fastened.

Subject to technical modifications.

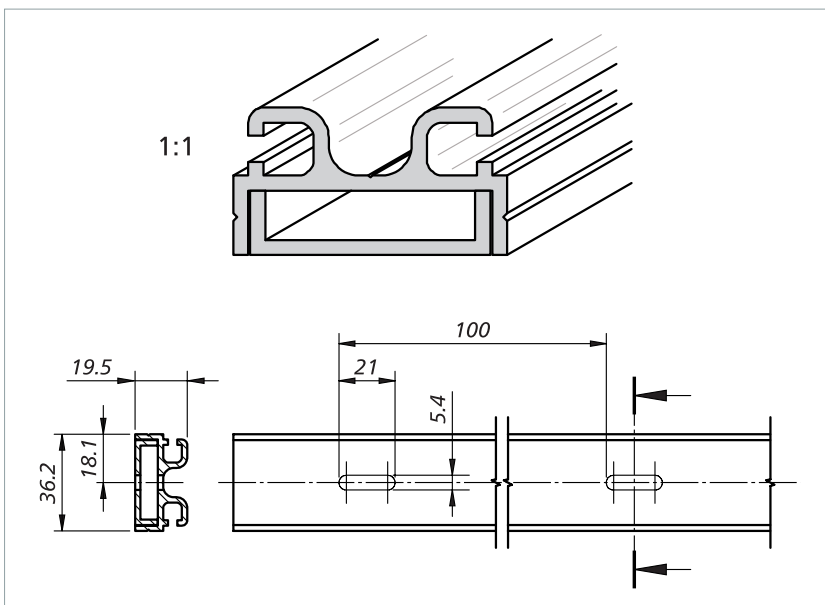
Aluminium profile C 26



Standard profile for GP 48-2:

First the aluminium profile must be mounted to the closing edge and then the rubber profile clipped into the aluminium profile.

Aluminium profile C 36M

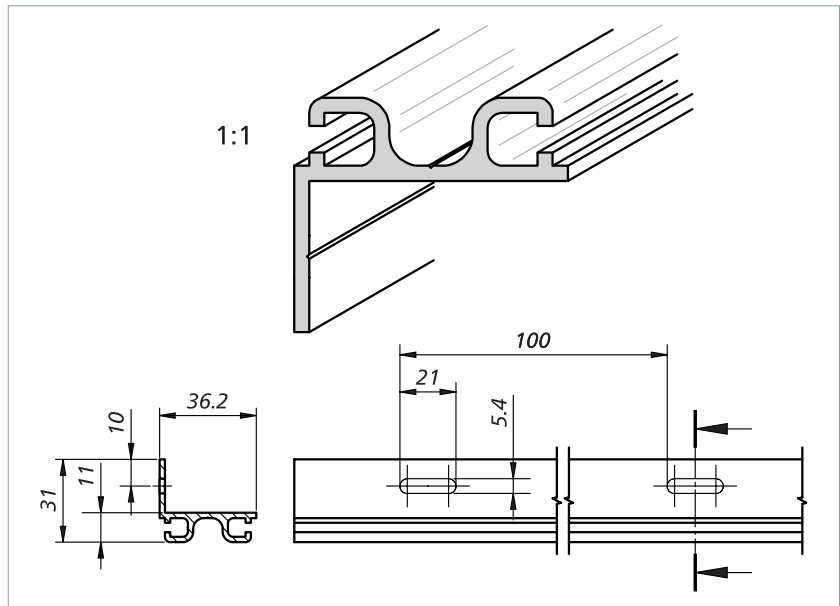


Two-part profile for GP 65-2 and GP 100-2:

For convenient assembly and disassembly. The rubber profile is clipped into the upper section and the upper section inserted in the installed lower section and fastened.

Subject to technical modifications.

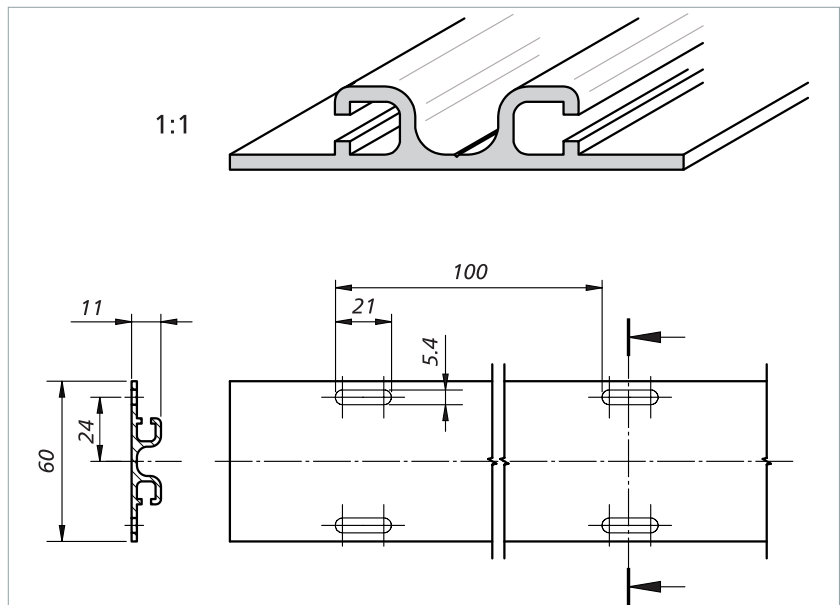
Aluminium profile C 36L



Angle profile for GP 65-2 and GP 100-2:

If the closing edge should or must not have assembly holes, this "round-the-corner" solution is suitable. Final assembly is also possible when the rubber profile is already clipped into the aluminium profile.

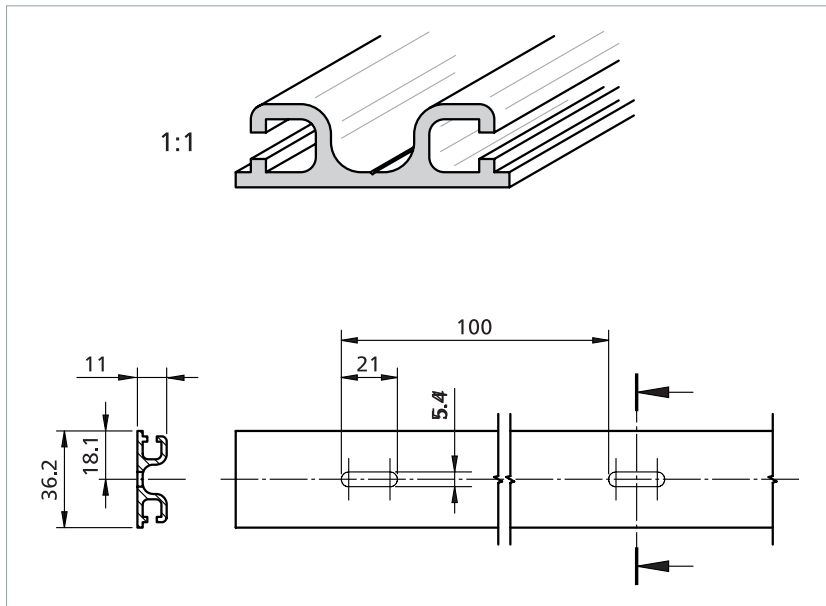
Aluminium profile C 36S



Flange profile for GP 65-2 and GP 100-2:

Final assembly is also possible when the rubber profile is already clipped into the aluminium profile.

Aluminium profile C 36



Standard profile for GP 65-2 and GP 100-2:

First the aluminium profile must be mounted to the closing edge and then the rubber profile clipped into the aluminium profile.

Aluminium profiles: Overview of combinations

Aluminium profiles for		GP 48-2	GP 65-2	GP 100-2
External clip bars	...-2 ⇨ ⇩	C 26 C 26M	C 36 C 36M, C 36L, C 36S	C 36 C 36M, C 36L, C 36S

SL NC II: The right selection

Calculation for selection of the safety

edge height

- s_1 = Stopping distance of the dangerous movement [mm]
- v = Velocity of the dangerous movement [mm/s]
- T = Follow-through of the complete system [s]
- t_1 = Response time safety edge
- t_2 = Stopping time of the machine
- s = Minimum overtravel distance of the safety edge so that the required limit forces are not exceeded [mm]
- C = Safety factor; if components susceptible to failures (braking system) exist in the system, a higher factor must be selected

The stopping distance of the dangerous movement is calculated using the following formula:

$$s_1 = 1/2 \times v \times T \text{ where: } T = t_1 + t_2$$

The NC safety edge is a sensor, signal processor and output signal switching device in one (see chapter *Design*). For this reason the response time t_1 of the safety edge = the sensor response time.

In accordance with ISO 13856-2, the minimum overtravel distance of the safety edge is calculated using the following formula:

$$s = s_1 \times C \quad \text{where: } C = 1.2$$

A suitable safety edge profile can now be selected based on the result. Overtravel distances of safety edge profiles: see chapter *Technical data*.

Calculation examples

Example 1

The dangerous movement on your machine has a velocity of $v = 10$ mm/s and can be brought to a standstill within $t_2 = 250$ ms. The relatively low velocity suggests that a short overtravel distance is to be expected. Therefore the normally closed safety edge SL NC II GP 48-2 NBR could be sufficient. The response time of the safety edge is $t_1 = 1300$ ms.

$$s_1 = 1/2 \times v \times T \quad \text{where: } T = t_1 + t_2$$

$$s_1 = 1/2 \times 10 \text{ mm/s} \times (1300 \text{ ms} + 250 \text{ ms})$$

$$s_1 = 1/2 \times 10 \text{ mm/s} \times 1.55 \text{ s} = \mathbf{6.55 \text{ mm}}$$

$$s = s_1 \times C \quad \text{where: } C = 1.2$$

$$s = 6.55 \text{ mm} \times 1.2 = \mathbf{7.86 \text{ mm}}$$

The safety edge must have a minimum overtravel distance of $s = 7,9$ mm. The selected SL NC II GP 48-2 NBR has an overtravel distance of at least 12.4 mm. This is more than the required 7.9 mm.

Result: The SL NC II GP 48-2 NBR is **suitable** for this case.

Example 2

The same conditions as in calculation example 1 with the exception of the velocity of the dangerous movement. This is now $v = 100 \text{ mm/s}$. This reduces the response time of the safety edge to $t_1 = 83 \text{ ms}$.

$$s_1 = 1/2 \times v \times T \quad \text{where: } T = t_1 + t_2$$
$$s_1 = 1/2 \times 100 \text{ mm/s} \times (83 \text{ ms} + 250 \text{ ms})$$
$$s_1 = 1/2 \times 100 \text{ mm/s} \times 0.333 \text{ s} = \mathbf{16.65 \text{ mm}}$$

$$s = s_1 \times C \quad \text{where: } C = 1.2$$
$$s = 16.65 \text{ mm} \times 1.2 = \mathbf{19.98 \text{ mm}}$$

The safety edge must have a minimum overtravel distance of $s = 20 \text{ mm}$. The selected SL NC II GP 48-2 NBR has an overtravel distance of at least 16.8 mm. This is less than the required 20 mm.

Result: The SL NC II GP 48-2 NBR is **not suitable** for this case.

Example 3

The same conditions as in calculation example 2. Instead of SL NC II GP 48-2 NBR the SL NC II GP 100-2 EPDM is selected. The response time of the safety edge is $t_1 = 76 \text{ ms}$.

$$s_1 = 1/2 \times v \times T \quad \text{where: } T = t_1 + t_2$$
$$s_1 = 1/2 \times 100 \text{ mm/s} \times (76 \text{ ms} + 250 \text{ ms})$$
$$s_1 = 1/2 \times 100 \text{ mm/s} \times 0.326 \text{ s} = \mathbf{16.3 \text{ mm}}$$

$$s = s_1 \times C \quad \text{where: } C = 1.2$$
$$s = 16.3 \text{ mm} \times 1.2 = \mathbf{19.56 \text{ mm}}$$

The safety edge must have a minimum overtravel distance of $s = 20 \text{ mm}$. The selected SL NC II GP 100-2 EPDM has an overtravel distance of at least 36.8 mm at 100 mm/s. This is more than the required 20 mm.

Result: The SL NC II GP 100-2 EPDM is **suitable** for this case.

Accessories

Extension kit

For extension of connection cable by customer (contents: double insulated wire, crimp connector and heat-shrinkable sleeves)

Extension kit: 5 m 1003870

Extension kit: 10 m 1003871

Wiring aids

Special resistor: 1k Ω 1003873

Special resistor: 8k Ω 1003874

Maintenance and cleaning

The sensors are virtually maintenance-free.

Regular inspection

Depending on the utilisation, sensors must be inspected at regular intervals (at least monthly)

- for proper functioning,
- damage,
- and correct mounting.

Cleaning

If the sensors become dirty, they can be cleaned with a mild cleaning product.

Technical data

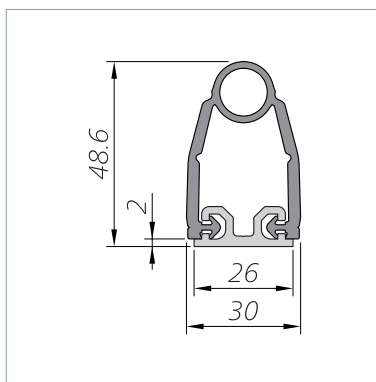
GP 48-2 NBR with C 26

Normally closed safety edge SL NC II consisting of sensor and aluminium profile from the profile range C 26.

Testing basis	
ISO 13856-2	
Switching characteristics at $v_{\text{test}} = 200 \text{ mm/s}$	
Switching operations	>10,000
Actuation force	
Test piece (cylinder) Ø 80 mm	< 150 N
Actuation distance	
Test piece (cylinder) Ø 80 mm	12 mm
Actuation angle	
Test piece (cylinder) Ø 80 mm	60°
Response time	60 ms
Finger detection	yes
Safety classifications	
ISO 13856: Reset function	without
ISO 13849-1:2015	Category 3 PL d
B_{10D} (Sensor)	2×10^6
Mechanical operating conditions	
Sensor length (min./max.)	30 cm / 6 m
Cable length (min./max.)	1.5 m / 100 m
Bend radii	not possible
Operating speed	
(min. / max.)	10 mm/s / 200 mm/s
max. load capacity	600 N
IEC 60529: Degree of protection	IP67
Humidity (max. at 23 °C)	95 % (non-condensing)
Operating temperature	+5 to +55 °C
Storage temperature	-20 to +80 °C
Weight	1.0 kg/m
Electrical operating conditions	
Contact transition resistance (max.)	5 Ohm
Number of sensors type BK	max. 10 in series
Switching voltage (PELV) (max.)	48 V DC
	48 V AC 50/60 Hz
Protection class	III
Switching current (max.)	20 mA
Contact fuse protection, external	250 mA slow-acting
Connection cable	Ø 3.3 mm PVC 1x 0.5 mm ²

Dimensions and distances

GP 48-2 NBR (1:2)



Dimensional tolerances according to ISO 3302 E2/L2.

Test conditions

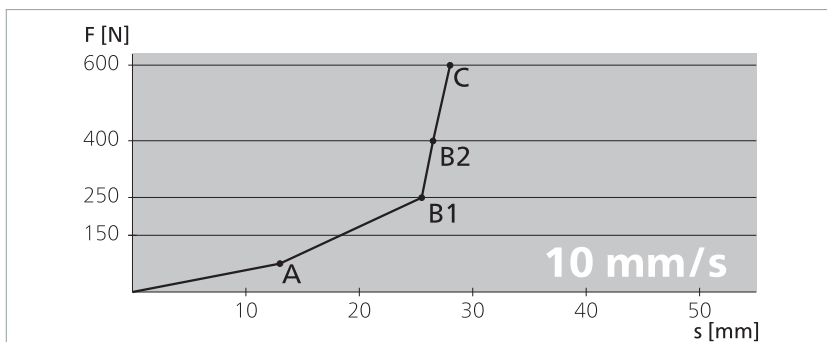
according to ISO 13856-2

- Installation position B
- Temperature +20 °C
- Measurement point c3
- Test sample 1 with Ø 80 mm
- without control unit

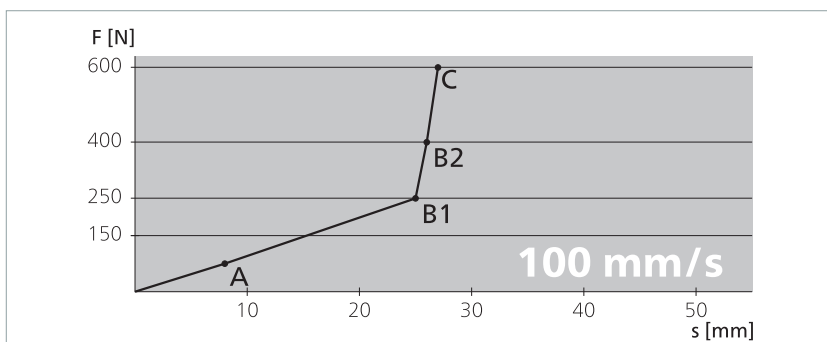
All data stated here is documented in EC design type test certificates.

Force-distance ratios

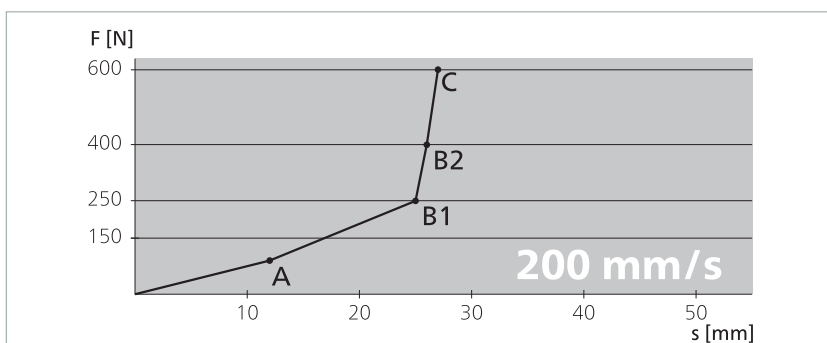
Actuation force	69 N
Response time	1300 ms
Actuation distance (A)	13 mm
Overtravel distance	
up to 250 N (B1)	12.4 mm
up to 400 N (B2)	13.5 mm
up to 600 N (C)	14.9 mm
Total deformation	27.9 mm



Actuation force	71 N
Response time	83 ms
Actuation distance (A)	8.3 mm
Overtravel distance	
up to 250 N (B1)	16.8 mm
up to 400 N (B2)	17.7 mm
up to 600 N (C)	18.9 mm
Total deformation	27.2 mm



Actuation force	71 N
Response time	60 ms
Actuation distance (A)	12 mm
Overtravel distance	
up to 250 N (B1)	13.2 mm
up to 400 N (B2)	14.1 mm
up to 600 N (C)	15.2 mm
Total deformation	27.2 mm



Technical data

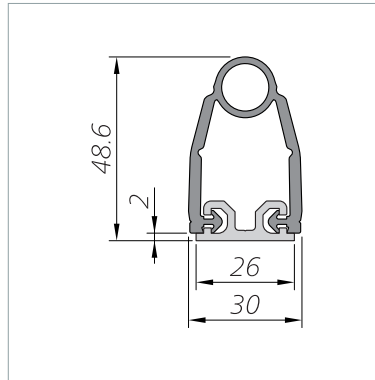
GP 48-2 EPDM with C 26

Normally closed safety edge SL NC II consisting of sensor and aluminium profile from the profile range C 26.

Testing basis	
ISO 13856-2	
Switching characteristics at $v_{\text{test}} = 100 \text{ mm/s}$	
Switching operations	>10,000
Actuation force	
Test piece (cylinder) Ø 80 mm	< 150 N
Actuation distance	
Test piece (cylinder) Ø 80 mm	14.8 mm
Actuation angle	
Test piece (cylinder) Ø 80 mm	90°
Response time	148 ms
Finger detection	no
Safety classifications	
ISO 13856: Reset function	without
ISO 13849-1:2015	Category 3 PL d
B_{10D} (Sensor)	2×10^6
Mechanical operating conditions	
Sensor length (min./max.)	30 cm / 6 m
Cable length (min./max.)	1.5 m / 100 m
Bend radii	not possible
Operating speed	
(min. / max.)	10 mm/s / 200 mm/s
max. load capacity	600 N
IEC 60529: Degree of protection	IP67
Humidity (max. at 23 °C)	95 % (non-condensing)
Operating temperature	-10 to +55 °C
Storage temperature	-20 to +80 °C
Weight	1.0 kg/m
Electrical operating conditions	
Contact transition resistance (max.)	5 Ohm
Number of sensors type BK	max. 10 in series
Switching voltage (PELV) (max.)	48 V DC
	48 V AC 50/60 Hz
Protection class	III
Switching current (max.)	20 mA
Contact fuse protection, external	250 mA slow-acting
Connection cable	Ø 3.3 mm PVC 1x 0.5 mm ²

Dimensions and distances

GP 48-2 EPDM (1:2)



Dimensional tolerances according to ISO 3302 E2/L2.

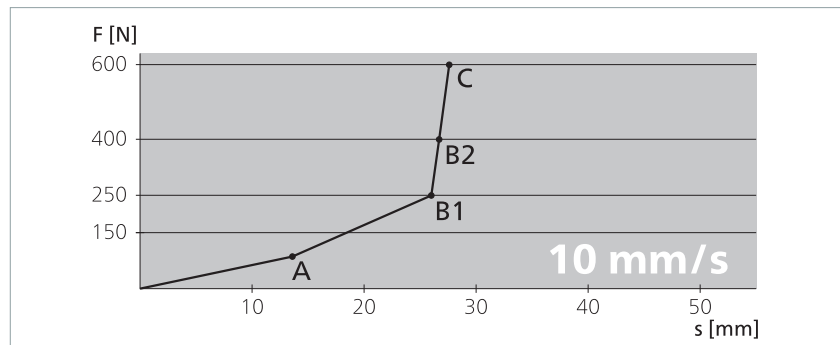
Test conditions

according to ISO 13856-2

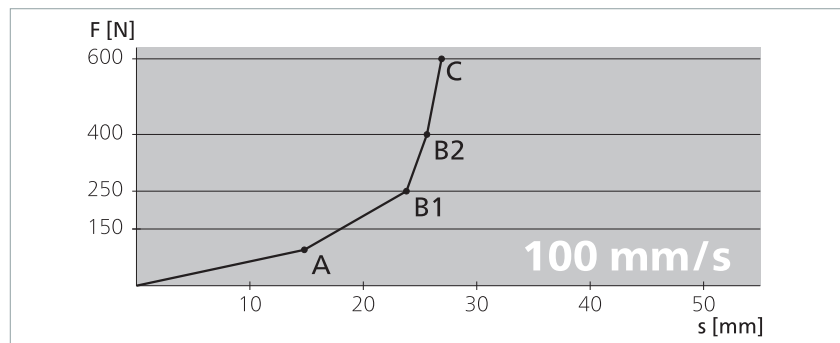
- Installation position B
- Temperature +20 °C
- Measurement point c3
- Test sample 1 with Ø 80 mm
- without control unit

Force-distance ratios

Actuation force	86 N
Response time	1440 ms
Actuation distance (A)	14.4 mm
Overtravel distance	
up to 250 N (B1)	11.3 mm
up to 400 N (B2)	12.3 mm
up to 600 N (C)	13.2 mm
Total deformation	27.1 mm



Actuation force	95 N
Response time	148 ms
Actuation distance (A)	14.8 mm
Overtravel distance	
up to 250 N (B1)	10.8 mm
up to 400 N (B2)	11.6 mm
up to 600 N (C)	12.6 mm
Total deformation	26.9 mm



Technical data

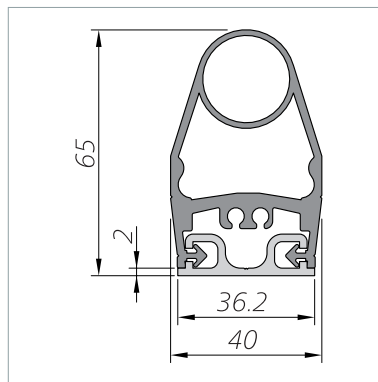
GP 65-2 EPDM with C 36

Normally closed safety edge SL NC II consisting of sensor and aluminium profile from the profile range C 36.

Testing basis	
ISO 13856-2	
Switching characteristics at $v_{\text{test}} = 200 \text{ mm/s}$	
Switching operations	>10,000
Actuation force	
Test piece (cylinder) Ø 80 mm	< 150 N
Actuation distance	
Test piece (cylinder) Ø 80 mm	7 mm
Actuation angle	
Test piece (cylinder) Ø 80 mm	90°
Response time	35 ms
Finger detection	no
Safety classifications	
ISO 13856: Reset function	without
ISO 13849-1:2015	Category 3 PL d
B_{10D} (Sensor)	2×10^6
Mechanical operating conditions	
Sensor length (min./max.)	30 cm / 6 m
Cable length (min./max.)	1.5 m / 100 m
Bend radii	not possible
Operating speed	
(min. / max.)	10 mm/s / 200 mm/s
max. load capacity	600 N
IEC 60529: Degree of protection	IP67
Humidity (max. at 23 °C)	95 % (non-condensing)
Operating temperature	-10 to +55 °C
Storage temperature	-20 to +80 °C
Weight	1.9 kg/m
Electrical operating conditions	
Contact transition resistance (max.)	5 Ohm
Number of sensors type BK	max. 10 in series
Switching voltage (PELV) (max.)	48 V DC
	48 V AC 50/60 Hz
Protection class	III
Switching current (max.)	20 mA
Contact fuse protection, external	250 mA slow-acting
Connection cable	Ø 3.3 mm PVC 1x 0.5 mm ²

Dimensions and distances

GP 65-2 EPDM (1:2)



Dimensional tolerances according to ISO 3302 E2/L2.

Test conditions

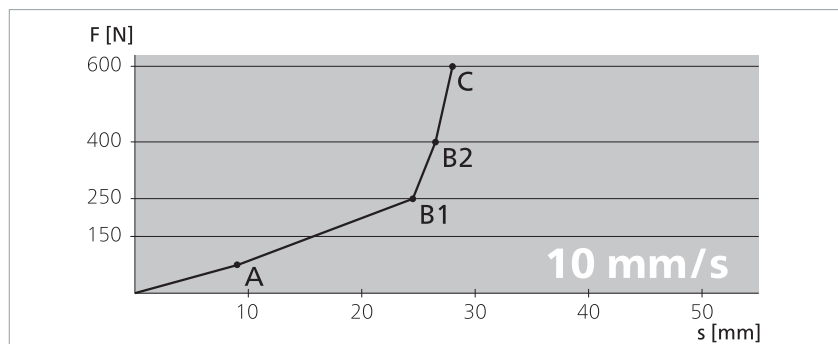
according to ISO 13856-2

- Installation position B
- Temperature +20 °C
- Measurement point c3
- Test sample 1 with Ø 80 mm
- without control unit

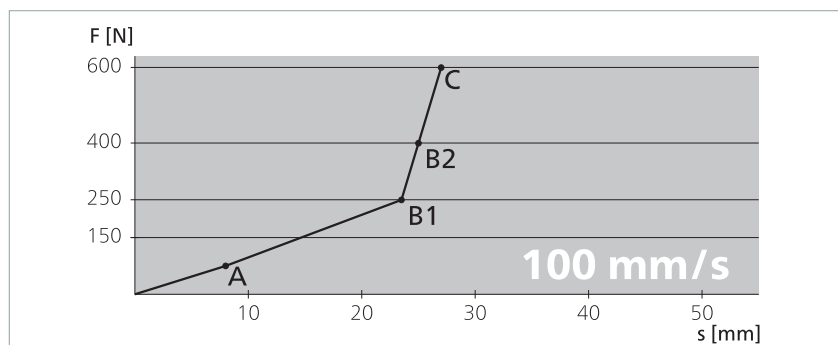
All data stated here is documented in EC design type test certificates.

Force-distance ratios

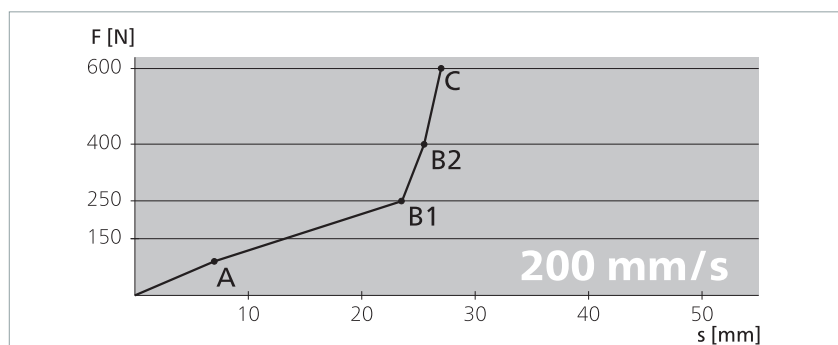
Actuation force	69 N
Response time	890 ms
Actuation distance (A)	8.9 mm
Overtravel distance	
up to 250 N (B1)	15.6 mm
up to 400 N (B2)	17.5 mm
up to 600 N (C)	19.3 mm
Total deformation	28.2 mm



Actuation force	71 N
Response time	80 ms
Actuation distance (A)	8 mm
Overtravel distance	
up to 250 N (B1)	15.5 mm
up to 400 N (B2)	17.3 mm
up to 600 N (C)	19.1 mm
Total deformation	27.1 mm



Actuation force	64 N
Response time	34.5 ms
Actuation distance (A)	6.9 mm
Overtravel distance	
up to 250 N (B1)	16.5 mm
up to 400 N (B2)	18.5 mm
up to 600 N (C)	20 mm
Total deformation	26.9 mm



Technical data

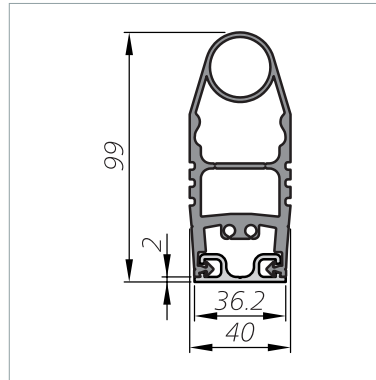
GP 100-2 EPDM with C 36

Normally closed safety edge SL NC II consisting of sensor and aluminium profile from the profile range C 36.

Testing basis	
ISO 13856-2	
Switching characteristics at $v_{\text{test}} = 200 \text{ mm/s}$	
Switching operations	>10,000
Actuation force	
Test piece (cylinder) Ø 80 mm	< 150 N
Actuation distance	
Test piece (cylinder) Ø 80 mm	17 mm
Actuation angle	
Test piece (cylinder) Ø 80 mm	90°
Response time	82 ms
Finger detection	no
Safety classifications	
ISO 13856: Reset function	without
ISO 13849-1:2015	Category 3 PL d
B_{10D} (Sensor)	2×10^6
Mechanical operating conditions	
Sensor length (min./max.)	30 cm / 6 m
Cable length (min./max.)	1.5 m / 100 m
Bend radii	not possible
Operating speed	
(min. / max.)	10 mm/s / 200 mm/s
max. load capacity	600 N
IEC 60529: Degree of protection	IP67
Humidity (max. at 23 °C)	95 % (non-condensing)
Operating temperature	-10 to +55 °C
Storage temperature	-20 to +80 °C
Weight	2.1 kg/m
Electrical operating conditions	
Contact transition resistance (max.)	5 Ohm
Number of sensors type BK	max. 10 in series
Switching voltage (PELV) (max.)	48 V DC
	48 V AC 50/60 Hz
Protection class	III
Switching current (max.)	20 mA
Contact fuse protection, external	250 mA slow-acting
Connection cable	Ø 3.3 mm PVC 1x 0.5 mm ²

Dimensions and distances

GP 100-2 EPDM (1:3)



Dimensional tolerances according to ISO 3302 E2/L2.

Test conditions

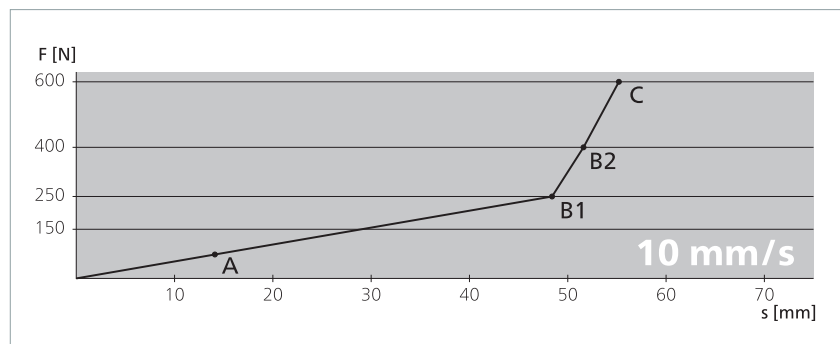
according to ISO 13856-2

- Installation position B
- Temperature +20 °C
- Measurement point c3
- Test sample 1 with Ø 80 mm
- without control unit

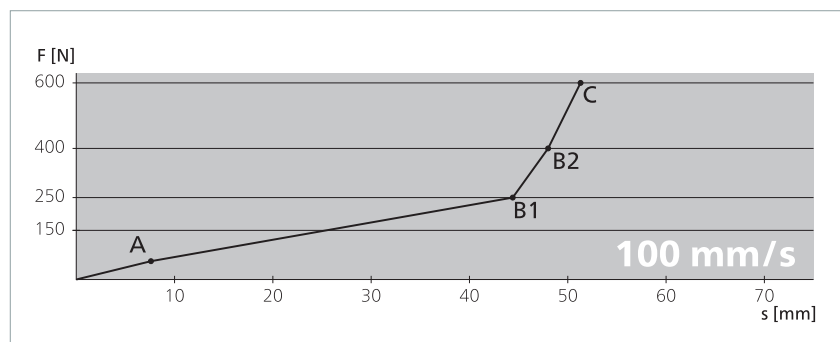
All data stated here is documented in EC design type test certificates.

Force-distance ratios

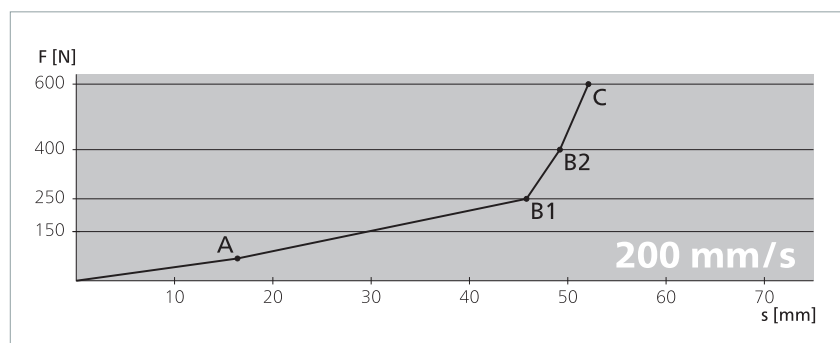
Actuation force	73 N
Response time	1410 ms
Actuation distance (A)	14.1 mm
Overtravel distance	
up to 250 N (B1)	34.3 mm
up to 400 N (B2)	37.5 mm
up to 600 N (C)	41.1 mm
Total deformation	55.2 mm



Actuation force	56 N
Response time	76 ms
Actuation distance (A)	7.6 mm
Overtravel distance	
up to 250 N (B1)	36.8 mm
up to 400 N (B2)	40.4 mm
up to 600 N (C)	43.7 mm
Total deformation	51.3 mm



Actuation force	68 N
Response time	82 ms
Actuation distance (A)	16.4 mm
Overtravel distance	
up to 250 N (B1)	29.4 mm
up to 400 N (B2)	32.8 mm
up to 600 N (C)	35.7 mm
Total deformation	52.1 mm



Conformity

Conformity

The CE symbol indicates that this Mayser product complies with the relevant EC directives and that the stipulated conformity assessments have been carried out.



The design type of the product complies with the basic requirements of the following directives:

- 2006/42/EC (Safety of machinery)
- 2014/30/EU (EMC)

The Declaration of Conformity is available in the download section of the website: www.mayser.com/en/downloads

EC design test

The product was tested by an independent institute.

An EC design type test certificate confirms conformity.

The EC design type test certificate is available in the download section of the website: www.mayser.com/en/downloads

UL certification

Certificates

UL certification

U8V 07 10 31146 006



[Empty page]



Product Information Miniature Safety Edges

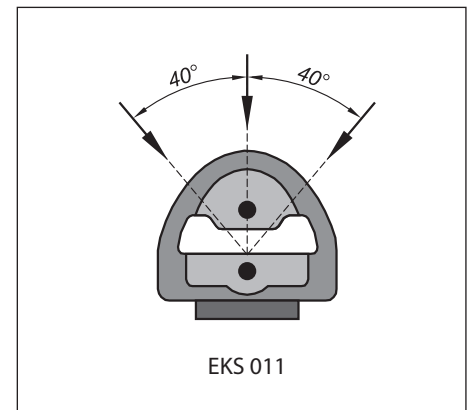
Miniature Safety Edges (EKS) – the "invisible" protection against trapping and nipping

Miniature Safety Edges ...

Tiny dimensions, enormous reliability. The Miniature Safety Edges are the result of consistent further development and miniaturisation of our Safety Edges which are well known for their reliability in safety applications. Endowed with the same safety and reliability features, the Miniature Safety Edges also have a visual advantage: absolutely tiny and the profile comes in almost any shape and size.

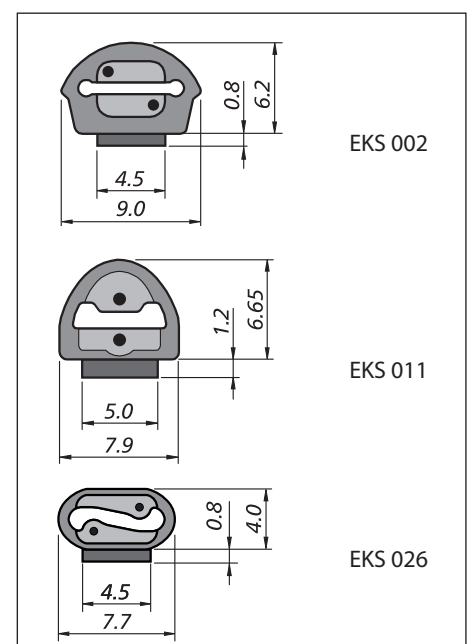
... inside values

- The heart of the Miniature Safety Edges is the switching chamber which is integrated in the profile. A small amount of pressure to the Miniature Safety Edge suffices to short-circuit two conductive areas which are separated from each other. A sure signal for the evaluating unit connected up.
- Electrically, the Miniature Safety Edge works on the closed circuit principle, i.e. a break in connection is recognized, the danger- bringing movement is brought to a halt.



... outside values

- In addition to the three standard shapes depicted we can also provide customized profiles.
- The design of the Miniature Safety Edge can be practically effortlessly adapted to suit the surroundings.
- The Miniature Safety Edge is in its element in places where only very short overtravel distances are possible.
- Thanks to the minimal dimensions (see to the right) the Miniature Safety Edge can be integrated into its surroundings in an optimal way.





Product Information Miniature Safety Edges

Miniature Safety Edges (EKS) – the "invisible" protection against trapping and nipping

... diverse uses

Medical Technology

- Diagnostic equipment
- Radiation apparatus
- Electrically adjustable tables/chairs
- Movable protective hoods
- Rehabilitation equipment (Sports Medicine)

Elevator doors

Bus doors and electric roof lights (finger protection)

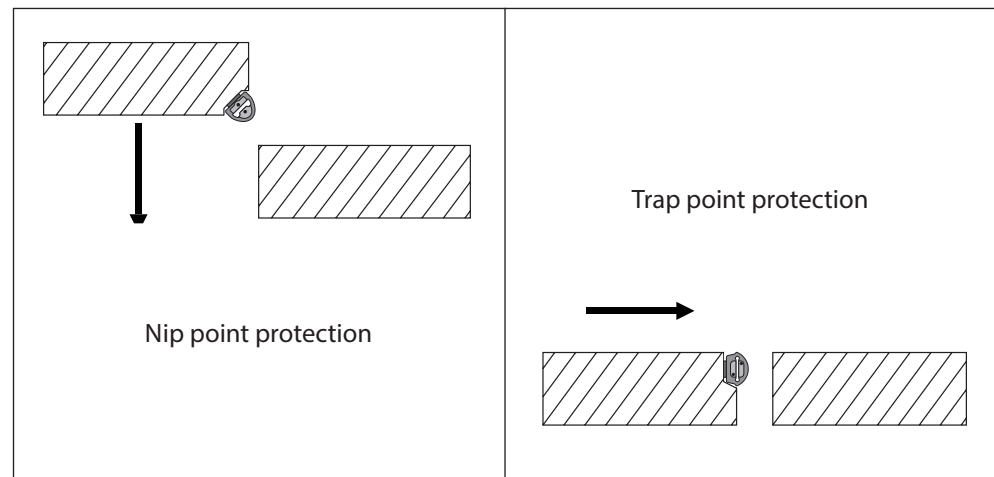
Electrically operated screens

- Cash dispensers
- Skylights
- Glass sliding doors

Electrically adjustable furniture

- Computer tables
- Recliners
- Electrically operated writing boards

... sure performance



... technical details

Distinctive features

- thermoplastic elastomer
- customized TPE-covering
- environment-friendly
- can be recycled

Electrical operating conditions

- max. voltage 24 V DC
- max. current 10 mA

Protection class

- IP65

Operating characteristics

- Response angle: > 90°
(depends on shape of profile!)
- Actuating distance: ≤ 1,0 mm
- Actuating force: < 25 N
(Test piece: Ø 200 mm)
- Actuating force: < 15 N
(Test piece: Ø 4 mm)

Application temperatures




- 40 °C to + 80 °C
(short-time exposure to temperatures up to + 95 °C also possible)

Technical Data

Miniature Safety Edge consisting of sensor type EKS 0XX TPE

Miniature Safety Edges

(Illustration scale 1:1)

1 Protection class	IP65			
2 Switching operations	Test piece Ø 10 mm / F=100 N	> 100,000		
3 Actuating force, actuating distance and response angle				
3.1 Actuating force	EKS 002 	EKS 011 	EKS 026 	
$v_{test} = 50 \text{ mm/min}$	23 °C	- 25 °C	23 °C	- 25 °C
Test piece Ø 4 mm	< 10 N	< 15 N	< 10 N	< 20 N
Test piece Ø 200 mm	< 20 N	< 25 N	< 15 N	< 35 N
3.2 Actuating distance	$v_{test} = 50 \text{ mm/min}$	23 °C	23 °C	23 °C
Test piece Ø 80 mm cyl.	< 1.5 mm	< 2 mm	< 1 mm	< 80°
3.3 Response angle	< 60°	< 80°	< 80°	
4 Mechanical operating and application conditions				
4.1 Sensor length (min./max.)	70 mm / 150 m	70 mm / 150 m	70 mm / 150 m	
4.2 Bending radii				
Convex profile curvature	> 50 mm	> 120 mm	> 80 mm	
Concave profile curvature	> 80 mm	> 150 mm	> 50 mm	
Across the profile axis	> 120 mm	> 20 mm	> 120 mm	
4.3 Tensile load, cable	max. 60 N	max. 50 N	max. 20 N	
4.4 Working temperature	-25 °C to +80 °C	-25 °C to +80 °C	-25 °C to +80 °C	
Permissible short term exposure	-40 °C to +100 °C	-40 °C to +100 °C	-40 °C to +100 °C	
5 Electric operating conditions				
5.1 End resistor (standard)	1.2 kΩ ±1%	1.2 kΩ ±1%	1.2 kΩ ±1%	
Performance	max. 250 mW	max. 250 mW	max. 250 mW	
5.2 Transition resistance	< 400 Ω (under load)	< 400 Ω (under load)	< 400 Ω (under load)	
5.3 Electric rating	without end resistor	without end resistor	without end resistor	
Voltage	max. 24 V DC	max. 24 V DC	max. 24 V DC	
Current	max. 10 mA	max. 10 mA	max. 10 mA	
	min. 1 mA	min. 1 mA	min. 1 mA	
5.3 Connecting cable	Ø 3.7 mm	Ø 3.4 mm	Ø 1,4 mm per strand	
	2x 0.25 mm ²	2x 0.25 mm ²	2x 0.35 mm ²	
Class according to IEC 60228	5	6	-	
6 Application using acrylic-foam-adhesive tape				
Peel strength	15 N/cm			
Applied to:	using promoter	without promoter		
ABS	+	-		Tests carried out at 23 °C (room temperature).
Aluminium	+	+		
Aluminium, anodised	+	-		
Wood: native	-	-		
Wood: varnished, veneer or laminated	+	-		
PA6	+	-		
PA66	+	+		
PE, HDPE	-	-		
PMMA	+	+		
PP	+	-		
PS, CAB	-	-		
PVC	+	+		
SAN	+	-		
Steel, stainless steel	+	+		
				Note: check with adhesion tests before serial use whether bonding is possible on the selected installation surface.
				Key to symbols: + = OK - = not OK

Miniature Safety Edges

7 Behaviour in fire

According to DIN 75200 40 mm/min
Compliance with StVZO, TA 29, BMW N601 21.0

8. Dimensions tolerances

length according to DIN ISO 3302 L2
section according to DIN ISO 3302 E2

9. Chemical resistance

Miniature Safety Edge EKS	TPE
Material characteristics	
Shore A hardness	55 ±5
Chemical resistance	
Acetone	-
Formic acid	-
Armor All	+
Carwash agent	+
Fuel	-
Brake fluid	±
Buraton	+
Butanol	-
Chlorinated bleaching lye	-
Disinfectant 1 %	+
Diesel	-
Acetic acid 10 %	-
Ethyl alcohol	+
Ethyl acetate	-
Ethylene glycol	+
Greases	±
Antifreeze	+
Skin cream	+
Icidin	+
Incidin	+
Incidin plus	+
Cooling lubricants	-
Plastics cleaning agent	+
Lyso FD 10	+
Metal processing oil	-
Microbac	+
Microbac forte	+
Minutil	+
Saline solution 5 %	+
Spirit (ethyl alcohol)	+
Terralin	+
UV-resistance	+
Centering oil	-

Tests carried out at 23 °C (room temperature).

Key to symbols

+ = resistant
± = limited resistance
- = not resistant



The data given are results of tests which were carried out in our laboratory to the best of our knowledge and belief. We cannot accept any obligations being deduced from them. You must always test the suitability of our products for your special application purpose under practical conditions.

Subject to technical modifications.

Technical Data

Miniature Safety Edge consisting of sensor type EKS 01X TPE

Miniature Safety Edges

1. Protection class	IP65			
2. Switching operations	Test piece Ø 10 mm / F=100 N		> 100.000	
3. Actuating force, actuating distance and response angle				
3.1 Actuating force	EKS 014		EKS 015	
Test speed v_{test}	50 mm/min		100 mm/min	
Test temperature	23 °C	-25 °C	23 °C	-25 °C
Testing basis:				
74/60/EWG and FMVSS118				
Test piece Ø 200 mm	< 25 N	< 50 N	–	–
Test piece Ø 4 mm	< 15 N	< 30 N	–	–
Testing basis:				
EN 1760-2				
Test piece 1 Ø 80 mm cyl.	–	–	< 25 N	<110N
Test piece 3 Ø 20 mm	–	–	< 15 N	<25 N
3.2 Actuating distance				
Test speed v_{test}	50 mm/min		100 mm/min	
Test temperature	23 °C		23 °C	
Test piece 1 Ø 80 mm cyl.	< 2 mm		2 mm	
3.3 Response angle	< 80°		< 40°	
4. Mechanical operating and application conditions				
4.1 Sensor length (min./max.)	70 mm / 150 m		70 mm / 150 m	
4.2 Bending radii				
Convex profile curvature	> 120 mm		> 800 mm	
Concave profile curvature	> 150 mm		> 1000 mm	
Across the profile axis	> 20 mm		> 200 mm	
4.3 Working temperature	- 40 °C to + 80 °C		- 40 °C to + 80 °C	
Permissible short term exposure	- 40 °C to +100 °C		- 40 °C to +100 °C	
5. Electric operating conditions				
5.1 End resistor (standard)	1.2 kΩ ±1%		1.2 kΩ ±1%	
Performance	max. 250 mW		max. 250 mW	
5.2 Transition resistance	< 400 Ω (under load)		< 400 Ω (under load)	
5.3 Electric rating	without end resistor		without end resistor	
Voltage	max. 24 V DC		max. 24 V DC	
Current	max. 20 mA		max. 20 mA	
	min. 1 mA		min. 1 mA	
5.4 Connecting cable	Ø 3.4 mm		Ø 3.7 mm	
	2x 0.25 mm ²		2x 0.25 mm ²	
Class according to VDE 0295	6		5	
6. Application with clip-in foot				
Clip-in foot width	3.5 mm		7 mm	
Al-rail type	C10		C15	
7. Dimensions tolerances	Length according to ISO 3302 L2			
	Cross section according to ISO 3302 E2			

Miniature Safety Edges

8. Chemical resistance

Miniature Safety Edge EKS 01X	TPE
Material characteristics	
Shore A hardness	55 ±5
Chemical resistance	
Acetone	-
Formic acid	-
Armor All	+
Carwash agent	+
Fuel	-
Brake fluid	±
Buraton	+
Butanol	-
Chlorinated bleaching lye	-
Disinfectant 1 %	+
Diesel	-
Acetic acid 10 %	-
Ethyl alcohol	+
Ethyl acetate	-
Ethylene glycol	+
Greases	±
Antifreeze	+
Skin cream	+
Icidin	+
Incidin	+
Incidin plus	+
Cooling lubricants	-
Plastics cleaning agent	+
Lyso FD 10	+
Metal processing oil	-
Microbac	+
Microbac forte	+
Minutil	+
Saline solution 5 %	+
Spirit (ethyl alcohol)	+
Terralin	+
UV-resistance	+
Centering oil	-

Tests carried out at 23 °C (room temperature).

Key to symbols:

+ = resistant

± = limited resistance


- = not resistant

The data given are results of tests carried out in our laboratory to the best of our knowledge and belief. We cannot accept any obligations being deduced from them. You must always test the suitability of our products for your special application under practical conditions.

Subject to technical modifications.

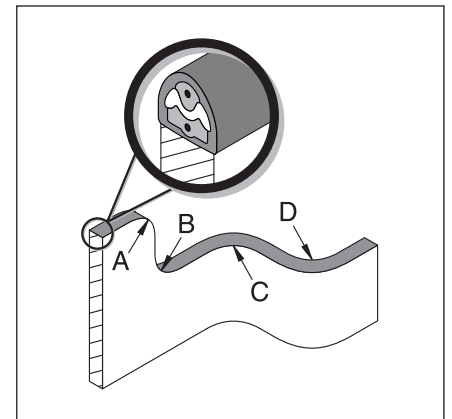
Technical Data

Miniature Safety Edge consisting of sensor type EKS 030 TPE

1 Protection class	IP65	
2 Switching operations	Test piece Ø 10 mm / F=100 N > 100 000	
3 Actuating force, actuating distance and response angle		
3.1 Actuating force	EKS 030	
$v_{test} = 50$ mm/min	23 °C	-25 °C
Test piece Ø 4 mm	< 15 N	< 25 N
Test piece Ø 200 mm	< 20 N	< 40 N
3.2 Actuating distance		
$v_{test} = 50$ mm/min	23 °C	
Test piece Ø 80 mm	< 2,0 mm	
3.3 Response angle	< 100°	
4 Mechanical operating and application conditions		
4.1 Sensor length (min./max.)	70 mm / 150 m	
4.2 Bending radii, minimum A / B / C / D	70 / 60 / 30 / 30 mm	
4.3 Tensile load, cable	max. 40 N	
4.4 Working temperature	-25 °C to +80 °C	
Permissible short term exposure	-40 °C to +100 °C	
5 Electric operating conditions		
5.1 End resistor (standard)	1.2 kΩ ±1%	
Performance	max. 250 mW	
5.2 Transition resistance	< 400 Ω (under load)	
5.3 Electric rating	without end resistor	
Voltage	max. 24 V DC	
Current	max. 10 mA min. 1 mA	
5.4 Connecting cable	Ø 4.1 mm 2× 0.35 mm ²	
6 Application using acrylic-foam-adhesive tape		
Peel strength	15 N/cm	
Applied to:	using promoter	without promoter
ABS	+	-
Aluminium	+	+
Aluminium: anodised	+	-
Wood: native	-	-
Wood: varnished, veneer or laminated	+	-
PA6	+	-
PA66	+	+
PE, HDPE	-	-
PMMA	+	+
PP, SAN	+	-
PS, CAB	-	-
PVC	+	+
Steel, stainless steel	+	+

Miniature Safety Edges

Bending radii:



Tests carried out at 23 °C (room temperature).

Note: check with adhesion tests before serial use whether bonding is possible on the selected installation surface.

Key to symbols:

+ = OK

- = not OK

Miniature Safety Edges

7 Behaviour in fire

According to DIN 75200
Compliance with

40 mm/min
StVZO, TA 29, BMW N601 21.0

8 Dimensions tolerances

length according to ISO 3302 L2
section according to ISO 3302 E2

9 Chemical resistance

Miniature Safety Edge EKS	TPE
Material characteristics	
Shore A hardness	52 ±5
Chemical resistance	
Acetone	-
Formic acid	-
Armor All	+
Carwash agent	+
Fuel	-
Brake fluid	±
Buraton	+
Butanol	-
Chlorinated bleaching lye	-
Disinfectant 1 %	+
Diesel	-
Acetic acid 10 %	-
Ethyl alcohol	+
Ethyl acetate	-
Ethylene glycol	+
Greases	±
Antifreeze	+
Skin cream	+
Icidin	+
Incidin	+
Incidin plus	+
Cooling lubricants	-
Plastics cleaning agent	+
Lyso FD 10	+
Metal processing oil	-
Microbac	+
Microbac forte	+
Minutil	+
Saline solution 5 %	+
Spirit (ethyl alcohol)	+
Terralin	+
UV-resistance	+
Centering oil	-

Tests carried out at 23 °C (room temperature).

Key to symbols:

+ = resistant

± = limited resistance

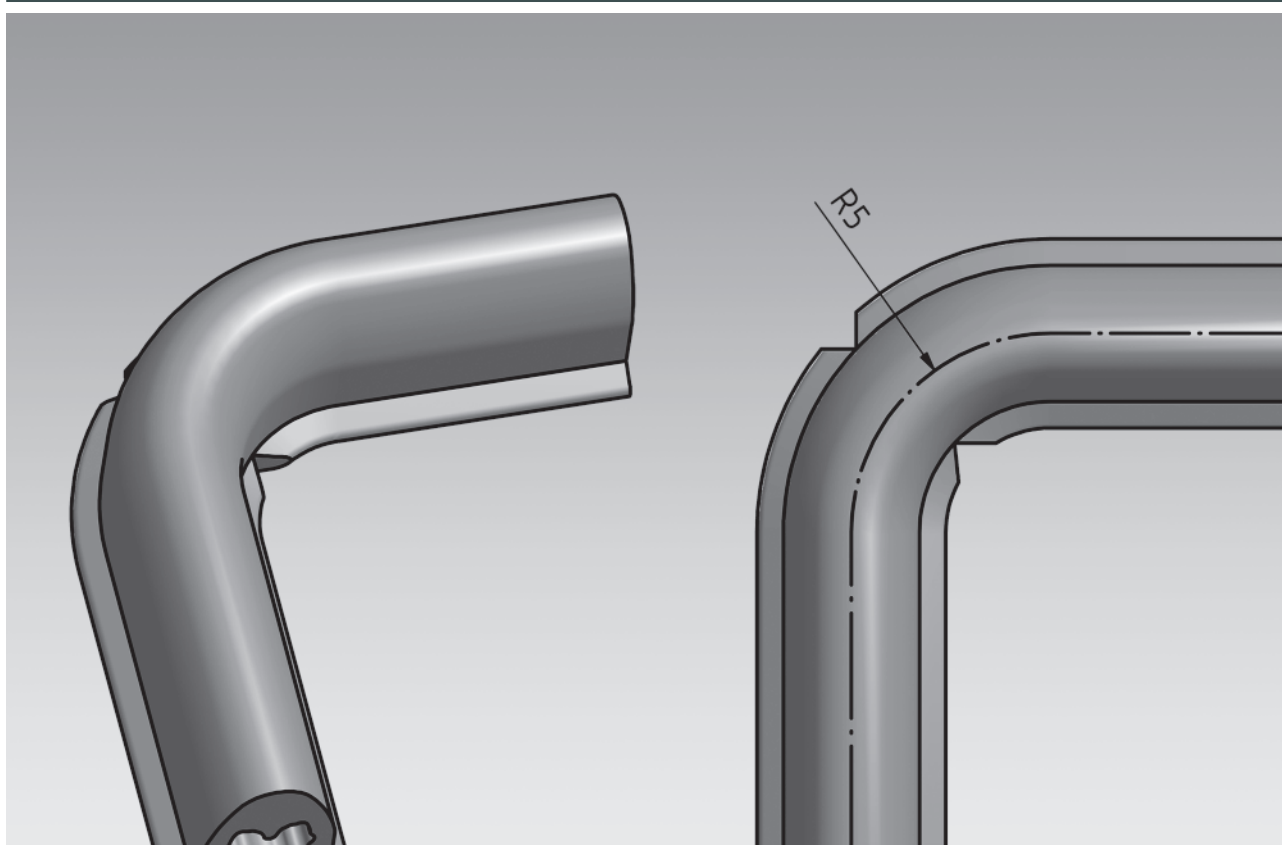
- = not resistant

The data given are results of tests which were carried out in our laboratory to the best of our knowledge and belief. We cannot accept any obligations being deduced from them. You must always test the suitability of our products for your special application purpose under practical conditions.

Subject to technical modifications.



Product Information



Miniature Safety Edge EKS 038

Mayser GmbH & Co. KG

Örlinger Straße 1-3

89073 Ulm

GERMANY

Phone: +49 731 2061-0

Fax: +49 731 2061-222

E-mail: info.ulm@mayser.com

Internet: www.mayser.com

Content

Definitions	3
Intended use	3
Limits	3
Design	3
Effective actuation area	4
Available lengths	4
Bend angles and bend radii	5
Installation position	5
Connection	6
Cable exits	6
Cable connection	6
Connection example	6
Profiles	7
Dimensions and operating paths	7
Physical resistance	7
Chemical resistance	8
Attachment	9
Per acrylic-foam adhesive tape	9
Installation accessories	10
Storage	10
Technical data	11
Request for quotation	12

Important information

Read through the product information carefully. It contains important information on operation, safety and maintenance of the product. Retain the product information for later reference.

Always observe the safety instructions on the following pages under **ATTENTION**. Only use the product for the purpose described in the product information.

© Mayser Ulm 2017

Definitions

Miniature Safety Edges are sensors for tactile protective devices. A suitable Control Unit is required for evaluation of the signals.

Intended use

A Miniature Safety Edge detects a person or part of the body when pressure is applied to the actuation area. It is part of a linear tripping device. The task of the protective device is to avoid potential hazardous situations for a person within a danger zone such as shearing or pinching edges.

Typical application areas are automatic windows, covers on machines, medical diagnostic equipment and height-adjustable furniture.

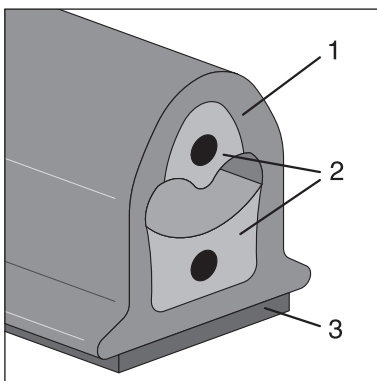
Safe operation of a Miniature Safety Edge depends entirely on

- the surface condition of the mounting surface,
- the correct selection of the size and resistance,
- correct installation as well as
- selection of the suitable Control Unit according to ISO 13849-1.

Limits

A maximum of 5 Miniature Safety Edges may be connected to one Control Unit.

Design



The Miniature Safety Edge EKS 038 consists of
(1) insulating TPE-covering,
(2) conductive contact layers with embedded wires and
(3) self-adhesive acrylic foam on the base of profile.

Effective actuation area

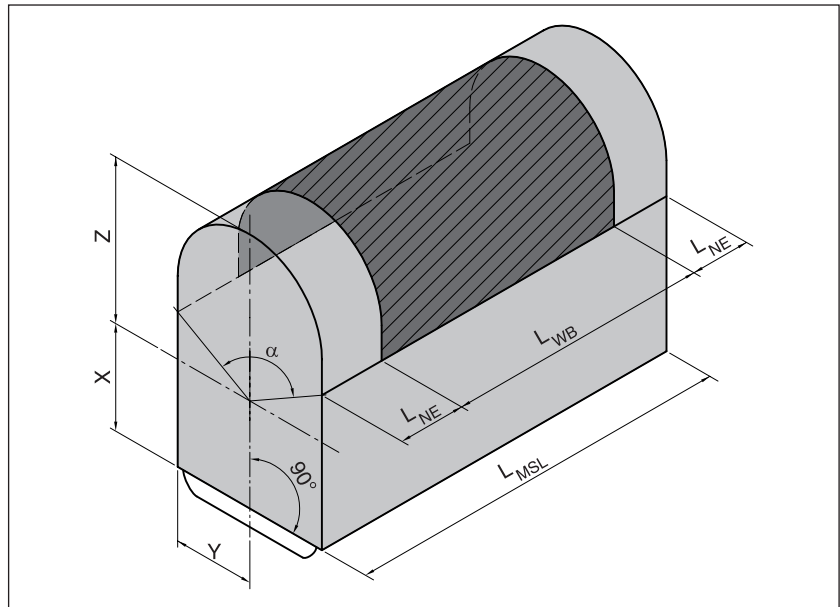
The parameters X, Y, Z, L_{NE} and angle α describe the effective actuation area.

For the effective actuation area, the following applies:

$$L_{WB} = L_{MSL} - 2 \times L_{NE}$$

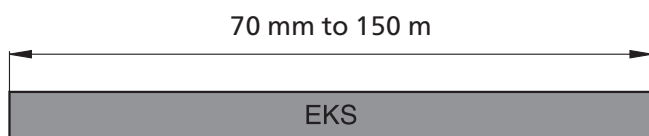
Parameters:

- L_{WB} = effective actuation length
- L_{MSL} = overall length of the Miniature Safety Edge
- L_{NE} = non-sensitive length at the end
- α = effective actuation angle



MSL	EKS 038			
α	60°			
L _{NE}	10 mm			
X	2 mm			
Y	2.65 mm			
Z	2.9 mm			

Available lengths



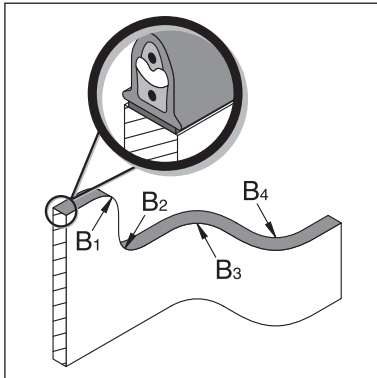
060217 v1.4c

Bend angles and bend radii

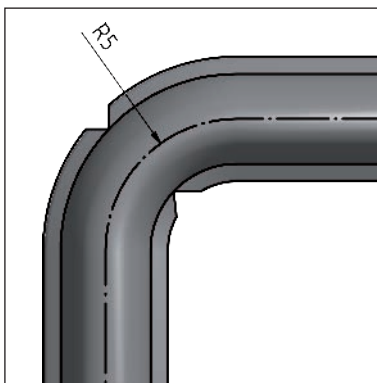
Bend angles

Bend angles are not possible on the Miniature Safety Edge.

Bend radius



Bend radius min.	EKS 038
B ₁	500 mm
B ₂	300 mm
B ₃	15 mm
B ₄	15 mm



Small 90° bends can also be implemented: Small bend radii up to 5 mm are possible for B₃ and B₄ with two opposite cuts in the protruding parts of the profile base.

Installation position

The installation position can be selected as required.

CAUTION

No pressure must be exerted on the Miniature Safety Edge in non-operative mode.

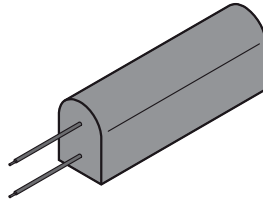
Connection

Cable exits

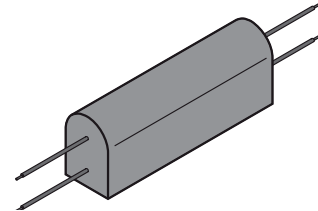
Tip

With more than one sensor connected one behind the other, we recommend the BK versions.

Axial exit



Version: EKS 038/W



Version: EKS 038/BK

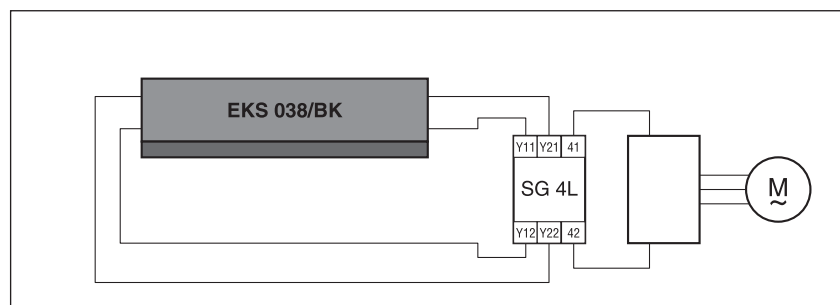
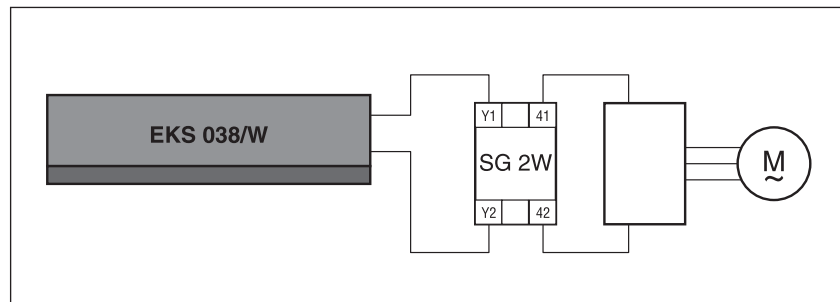
Cable connection

CAUTION

The cables must be laid free of tension.

- Cable: 0.35 mm² per strand, Ø 1.4 mm, black
- Cable length: 2.0 m
Option: to max. 200 m
- Cable ends: strands stripped
Option: cable ends available with plug and coupling

Connection example



Key:

SG 2W

2-wire-technology evaluation

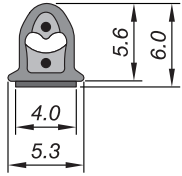
SG 4L

4-wire-technology evaluation

Y11, Y12 lower cables; Y21, Y22 upper cables

Profiles

Dimensions and operating paths

EKS 038	
	
Actuation force: < 50 N Actuation distance: < 1.2 mm	

Physical resistance

Miniature Safety Edges EKS	TPE
Degree of protection (IEC 60529)	IP65
Hardness as per Shore A	50 ±5
Behaviour in fire (DIN 75200)	approx. 40 mm/min

Chemical resistance

The Miniature Safety Edge is resistant against normal chemical influences such as diluted acids and alkalis as well as alcohol over an exposure period of 24 hrs.

The values in the table are results of tests carried out in our laboratory to the best of our knowledge and belief. The suitability of our products for your special area of application must always be verified with your own practical tests.

Explanation of symbols:

+ = resistant

± = resistant to a certain extent

- = not resistant

Miniature Safety Edge EKS	TPE
Acetone	-
Formic acid	-
Armor All	+
Car shampoo	+
Buraton	+
Butanol	-
Sodium hypochlorite	-
Disinfectant	+
Acetic acid 10 %	-
Ethanol	+
Ethyl acetate	-
Ethylene glycol	+
Window cleaner	
Alcohol-based	+
Alkaline cleaner	+
Neutral cleaner	+
Greases	±
Volatile softeners	-
Anti-frost agent	+
Skin cream	+
Icidine	+
Incidine	+
Incidine plus	+
Plastic cleaner	+
Lyso FD 10	+
Metal working oil	-
Microbac	+
Microbac forte	+
Minutil	+
Saline solution 5 %	+
Spirit (ethyl alcohol)	+
Terralin	+
UV-resistance	+
Centring oil	-

Note:

Tests are carried out at room temperature (+23 °C).

Attachment

Per acrylic-foam adhesive tape

Requirements

For ideal bonding, the bonding surface must be

- + clean
- + dry
- + smooth.

Avoid

- very uneven
- sharp-edged bonding surfaces.

Recommended working temperature: +15 to +25°C.

Note:

Check with adhesion tests before serial use whether bonding is possible on the selected installation surface.

on ...	Bonding with ...	with Primer	without Primer
ABS		1	-
Aluminium: natural		1	+
Aluminium: anodised		1 / 3	-
Aluminium: powder-coated		1	-
CAB		-	-
Glass		4 / 5	-
Wood: natural		-	-
Wood: glazed, varnished		2	-
Wood: veneered, light weight building board		2	-
PA6, PA66		3	-
PE, HDPE		-	-
PMMA		1	-
PP		1	-
PS		-	-
PVC		2	-
SAN		1	-
Steel, stainless steel		1 / 3	-

Explanation of symbols:

- + = suitable
- = not suitable
- 1 = Primer 4298UV
- 2 = Primer 4297
- 3 = Multiprimer
- 4 = Silan Primer
- 5 = Primer 4299

Note:

Tests are carried out at room temperature (+23 °C).

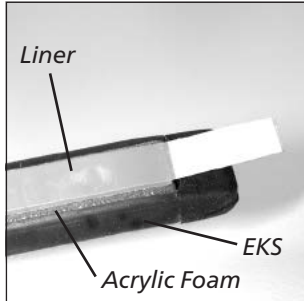
Preparation

Only applies to bend radii < 15 mm.

1. Measure bend locations and mark on both sides.
2. Carefully cut into both profile sides at the markings, making sure you only cut the projecting part.

CAUTION

Damage to the rest of the TPE-covering renders the Miniature Safety Edge unusable. Dispose of faulty Miniature Safety Edge.



Bonding

1. Clean and degrease bonding surface (e.g. with isopropanol).
2. Apply primer as thinly as possible to complete bonding surface with brush.
3. Air dry primer for approx. 10 minutes.
4. Remove 10 to 15 cm of liner from acrylic foam.
5. Place on bonding surface and press on firmly, without any tensile stress.
6. Repeat items 4. and 5. until EKS is completely bonded.
7. Maximum adhesion is achieved after 24 hrs.

Note:

If tensile stress is applied, the EKS can become several millimetres longer.

Tip:

For long straight sections, an extended try square may be useful for alignment.

Installation accessories

Part no.	Designation	Pack. unit
7500462	Primer 4298 type 3M, 125 ml, in can	1 pc.
7501995	Primer 4297 type 3M, 125 ml, in can	1 pc.
1003360	Multiprimer, 250 ml 24-P	1 pc.

ATTENTION

Smaller winding diameters cause separation of the liner and therefore damage to the self-adhesive acrylic foam.

Storage

Correct storage of the Miniature Safety Edge requires a winding diameter of at least 600 mm.

Technical data

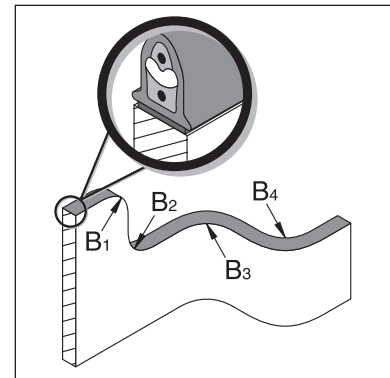
Miniature Safety Edge EKS 038 cut-to-size
with resistor (type W) or
without resistor (type BK).



1:1

Switching characteristics at $v_{test} = 50 \text{ mm/min}$	
Switching operations	$> 1 \times 10^5$
Actuating force	+23 °C -25 °C
Test piece (rod) Ø 4 mm	$< 15 \text{ N}$ $< 25 \text{ N}$
Test piece (rod) Ø 200 mm	$< 35 \text{ N}$ $< 50 \text{ N}$
Actuating distance	
Test piece (cylinder) Ø 80 mm	$< 1.2 \text{ mm}$
Actuation angle	
Test piece (cylinder) Ø 80 mm	$\pm 30^\circ$
Safety classifications	
B_{10d} as per ISO 13849-1	2×10^6
Mechanical operating conditions	
Sensor length (min./max.)	70 mm / 150 mm
Cable length (min./max.)	2 / 200 m
Attachment	Using acrylic-foam adhesive
Peel force	15 N/cm
Bend radii, minimum	
$B_1 / B_2 / B_3 / B_4$	500 / 300 / 15 / 15 mm
IEC 60529: Degree of protection	IP65
Operating temperature	-25 °C to +80 °C
short-term (15 min)	-40 °C to +100 °C
Electrical operating conditions	
Terminal resistance	$1k\Omega \pm 5\%$
Output	max. 250 mW
Contact transition resistance	$< 400 \text{ Ohm}$ (per sensor)
More than one sensor	max. 5 in series
Electrical rating	
Voltage	max. 24 V DC
Current (min./max.)	1 mA / 10 mA
Connection cable	Ø 1.4 mm per strand $2 \times 0.35 \text{ mm}^2$
Control Unit (recommendation)	
ISO 13849-1 Cat. 3	SG-EFS 104/2W (type W)
ISO 13849-1 Cat. 3	SG-EFS 104/4L (type BK)
Chemical resistance	
The Miniature Safety Edge is resistant against normal chemical influences over a period of exposure of 24 hrs (see p. 8).	
Dimensional tolerances	
Length as per	ISO 3302 L2
Profile section as per	ISO 3302 E2

Bend radii:



Request for quotation

From:

Company

Department

Name, first name

P. O. Box

Post code

City

Street

Post code

City

Phone

Fax

E-mail

Fax:**+49 731 2061-222****Area of application**

(e.g.. window construction, medical technology, machine closing edges, public transport, ...)

↓ Please keep free! ↓
For internal use only

Mechanical conditions

EKS _____

 Type BK Type W with resistor _____ kΩ

Length: _____ m

Packing unit: _____ units

Attachment per:

 Bonding Snap-in foot Angle piece

construction: _____ x per EKS

 Cable length: _____ m (standard: 2.0 m) Number of monitoring circuits: _____ SG- _____**Pinching and shearing edges to be protected:**

(Diagram incl. mounting possibility and cable routing)



DIY Miniature safety edges



EN | Product information

Mayser GmbH & Co. KG

Örlinger Straße 1-3

89073 Ulm

GERMANY

Phone: +49 731 2061-0

Fax: +49 731 2061-222

E-mail: info.ulm@mayser.com

Internet: www.mayser.com

Contents

Overview	3
Materials list	4
Definitions	5
Pressure-sensitive protection device	5
Operation principle 2-wire-technology	6
Operation principle 4-wire-technology	7
Safety	8
Intended use	8
Limits	8
Exclusions	9
Weitere Sicherheitsaspekte	9
Design	10
Effective actuation area	10
Installation position	11
Connection	11
Cable exits	11
Cable connection	11
Wire colours	12
Sensor surface	12
Physical resistance	12
Chemical resistance	12
Attachment	14
Per Acrylic-Foam-Verklebung	14
Per snap-in foot	15
Per clamp foot	15
Maintenance and cleaning	16
Technical data	17
SK EKS 011 TPE	17
SK EKS 014 TPE	18
SK EKS 052 TPE	19
Marking	20

Copyright

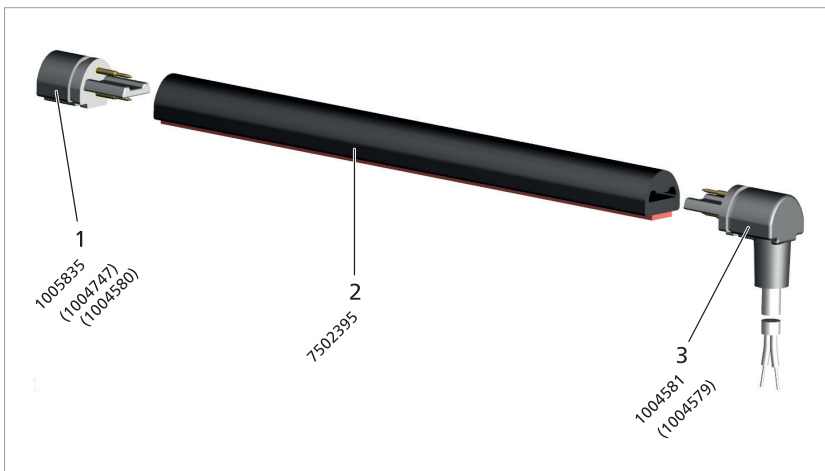
The reproduction, distribution and utilization of this document as well as the communication of its contents without express authorization are prohibited. Offenders will be held liable for the payment of damages. All rights reserved in the event of the grant of a patent, utility model or design.

© Mayser Ulm 2019

Overview

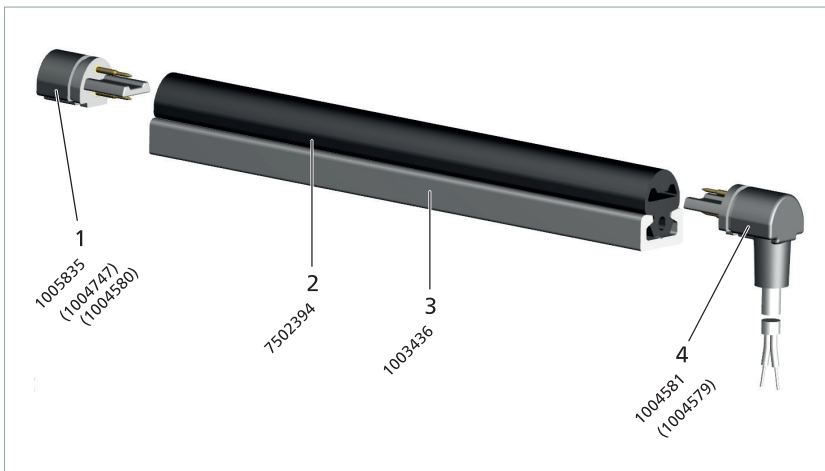
Contact profile – Miniature safety edge

The semi-finished contact profile is cut to length and assembled with the other components. The functioning product is then called a miniature safety edge.



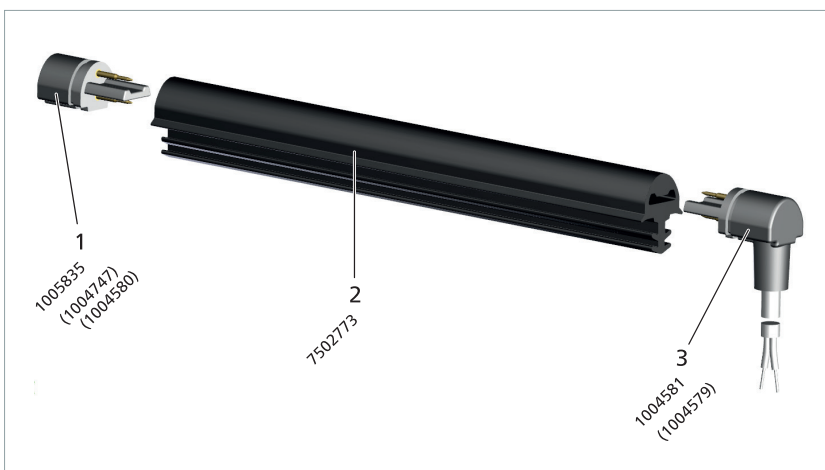
EKS 011 TPE

- 1 End piece with resistor
- 2 Contact profile
- 3 End piece with cable



EKS 014 TPE

- 1 End piece with resistor
- 2 Contact profile
- 3 Aluminium profile
- 4 End piece with cable



EKS 052 TPE

- 1 End piece with resistor
- 2 Contact profile
- 3 End piece with cable

Subject to technical modifications.

Materials list

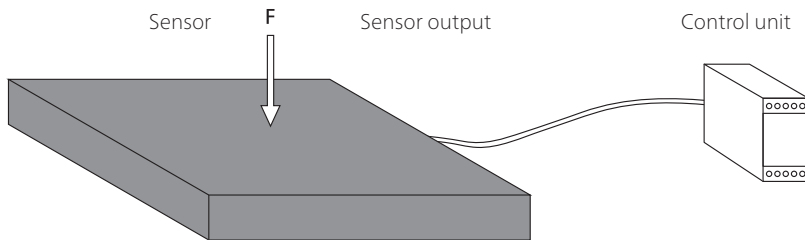
Part No.	Designation	PU
7502395	Contact profile EKS 011 TPE, self-adhesive	50 m
7502394	Contact profile EKS 014 TPE, with snap-in foot	50 m
7502773	Contact profile EKS 052 TPE, with clamp foot	45 m
1004580	End piece with resistor 1k2	50 pc.
1004747	End piece with resistor 2k2	50 pc.
1005835	End piece with resistor 8k2	50 pc.
1004579	End piece with PUR cable 2.5 m, axial	50 pc.
1004581	End piece with PUR cable 2.5 m, angled 90°	50 pc.
1003436	Aluminium profile C 10 for EKS 014 with snap-in foot	6 m
1004988	Scissors with stop	1 pc.
7502412	Assembly aid set	1 pc.
1004987	Special adhesive Contact VA 250 Black, 12 g, for IP64	1 pc.
7501995	Primer 4297 Type 3M, 125 ml, in can	1 pc.

Subject to technical modifications.

Definitions

Pressure-sensitive protection device

A pressure-sensitive protection device consists of pressure-sensitive sensor(s), signal processing and output signal switching device(s). The control unit is made up of the signal processing and output signal switching device(s). The pressure-sensitive protection device is triggered when the sensor is activated.

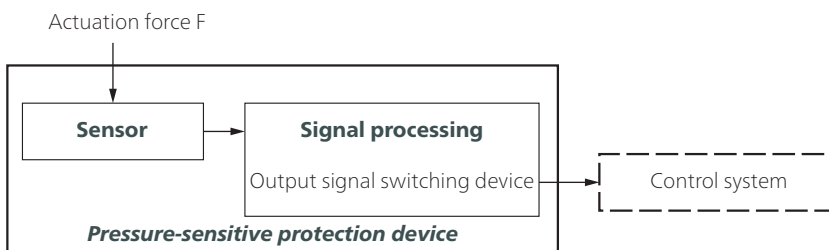


Sensor

The sensor is the part of the pressure-sensitive protection device that generates a signal when the actuating force F is applied. Mayser safety systems have a sensor whereby the actuating surface is deformed locally.

Signal processing

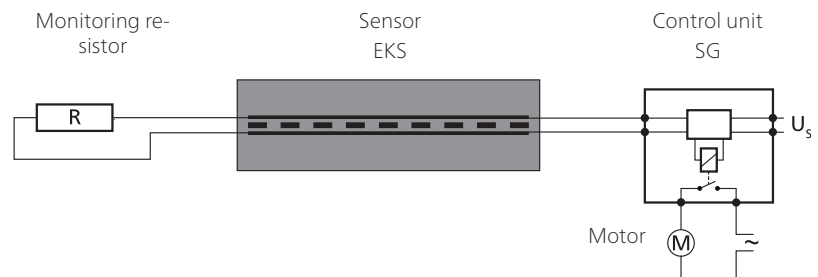
The signal processing is the part of the pressure-sensitive protection device that converts the output signal of the sensor and controls the status of the output signal switching device. The output signal switching device is that part of the signal processing which is connected to the machine controls and transmits safety output signals such as STOP.



Criteria for selecting the sensor type

- Category according to ISO 13849-1
- Performance level of pressure-sensitive protection device = at least PL_r
- Temperature range
- Degree of protection in accordance with IEC 60529:
IP40 is the standard for diy miniature safety edges.
Higher degree of protection possible with special adhesive (part no.: 1004987).
- Low switching forces
- Minimum overall height

Operation principle 2-wire-technology



The monitoring resistor must be compatible with the control unit.
Standard value is 8k2.

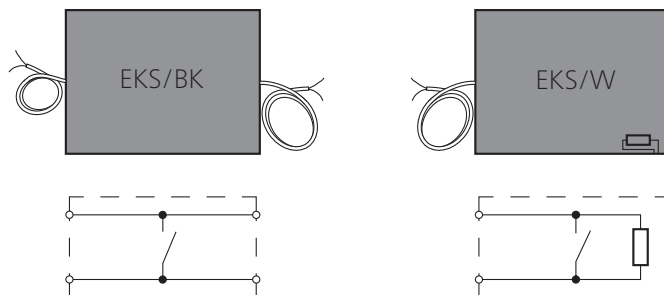
For your safety:

Sensor and connecting cables are constantly monitored for function.
Monitoring is carried out by controlled bridging of the contact surfaces with a monitoring resistor (closed current principle).

Design

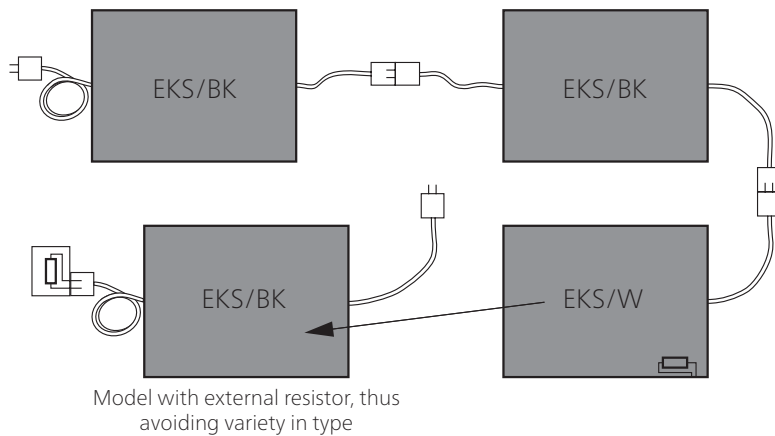
EKS/BK with cables on both sides as a through sensor or as an end sensor with external monitoring resistor

EKS/W as an end sensor with integrated monitoring resistor



Subject to technical modifications.

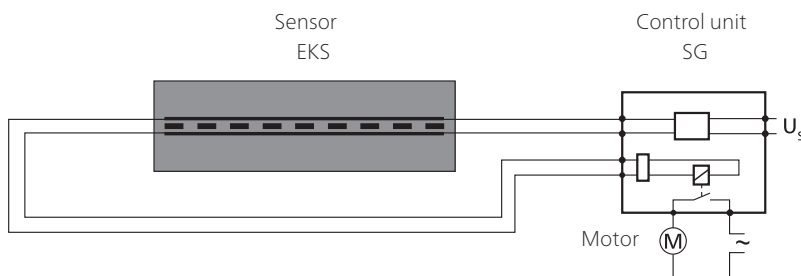
Combination of sensors



Combination:

- Connection of more than one sensor
- Only one control unit required
- Safety edge design with custom lengths and angles

Operation principle 4-wire-technology



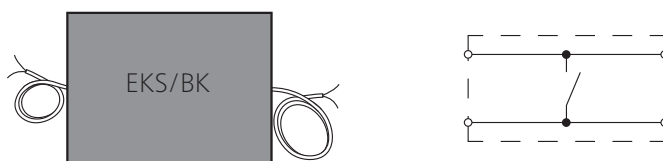
The 4-wire technology can be used only together with control unit SG-EFS 104/4L.

For your safety:

Sensor and connecting cables are constantly monitored for function. This is possible because of signal transmission feedback – without monitoring resistor.

Design

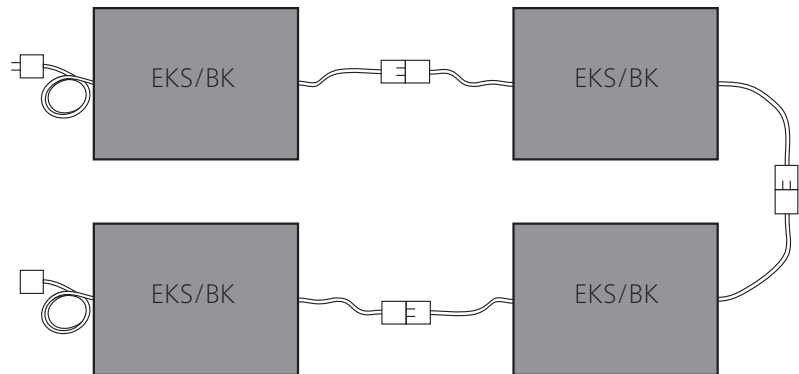
EKS/BK with cables on both sides as a through sensor



060319 v2.01-RIA

Subject to technical modifications.

Combination of sensors



Combination:

- Connection of more than one sensor
- Only one control unit required
- Safety edge design with custom lengths and angles

Safety

Intended use

A safety edge detects a person or the person's limbs from the pressure exerted on the effective actuation area. It is a linear tripping device. It is designed to prevent potential hazardous situations such as shearing and pinching edges for a person within a danger zone.

Typical areas of use are automated windows and façade systems, automation technology and moving units in medical technology.

The reliable functioning of a safety edge depends on

- the surface condition of the mounting surface,
- the correct choice of EKS profile,
- and proper installation.

Due to the design, the visible actuation area is reduced by the non-sensitive edges. What remains is the actual effective actuation area (see chapter *Effective actuation area*).

Limits

- max. 3 sensors type BK on one control unit
 - max. 2 sensors type BK and 1 sensor type W on one control unit
- If more sensors are required, please contact Mayser's service department.

Subject to technical modifications.

Exclusions

The sensors are not suitable for performing a sealing function. Constant actuation of sensors can result in permanent damage.

Other safety aspects

The following safety aspects relate to pressure-sensitive protection devices consisting of a sensor and a control unit

Performance Level (PL)

Exclusion of error according to ISO 13849-2, Table D.8: Non-closing of contacts in the case of pressure-sensitive safety devices according to ISO 13856. In this case, none of the sensor parameters are used for determining the PL. Assuming the control unit has a high $MTTF_D$ value, the entire miniature safety edge system (pressure-sensitive safety device) can achieve the maximum value PL d.

Is the safeguard appropriate?

The PL required for the hazard must be decided by the integrator. This is followed by the choice of safeguard.

Finally, the integrator needs to check whether the category and PL of the safeguard chosen are appropriate.

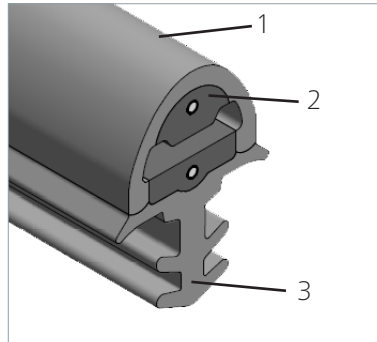
Risk and safety assessment

For the risk and safety assessment of your machine we recommend ISO 12100 „Safety of machinery – general principles for design“.

Without reset function

When a safeguard without reset function is used (automatic reset), the reset function must be made available in some other way.

Design



The miniature safety edge consists of a sensor (1 to 3)
 (1) contact profile EKS with
 (2) integrated NO contact safety element,
 (3) mounting element.

Effective actuation area

The parameters X, Y, Z, L_{NE} and the angle α describe the effective actuation area.

For the effective actuation area, the following applies:

$$L_{WB} = L_{EKS} - 2 \times L_{NE}$$

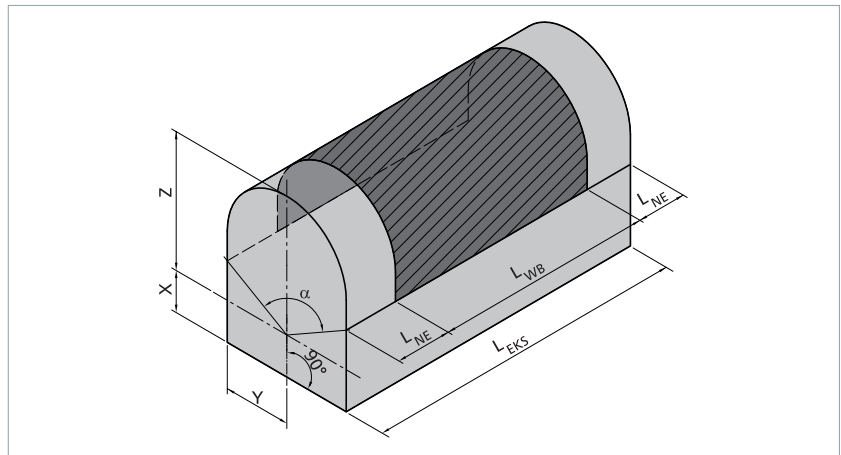
Parameters:

L_{WB} = effective actuation length

L_{EKS} = total length of miniature safety edge

L_{NE} = non-sensitive length at end of miniature safety edge

α = effective actuation angle



		EKS 011	EKS 014	EKS 052
α		80°	80°	80°
L_{NE}	End piece W	27 mm	27 mm	27 mm
	End piece cable angled 90°	28.5 mm	28.5 mm	28.5 mm
	End piece cable axial	32 mm	32 mm	32 mm
X		2.05 mm	2.3 mm	2.1 mm
Y		3.95 mm	3.9 mm	4.7 mm
Z		4.6 mm	4.5 mm	4.5 mm

Subject to technical modifications.

Installation position

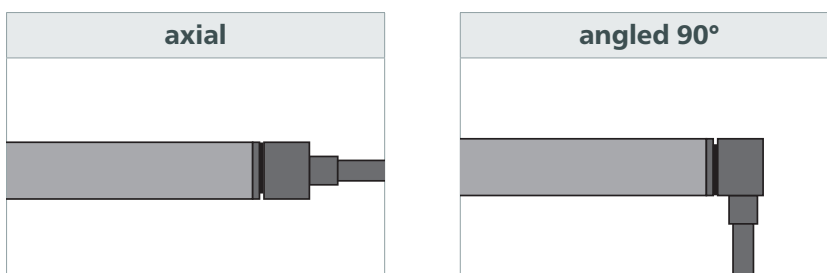
The installation position is variable.

In idle state, it must be ensured that no pressure is exerted on the sensors.

Connection

Cable exits

Two cable exits are available: axial and 90° angle.

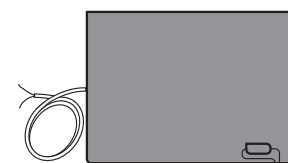


Cable connection

- Standard cable lengths
 $L = 2,5 \text{ m}$
- Maximum total cable length to the control unit
 $L_{\text{max}} = 100 \text{ m}$

Sensor type W

- As a single sensor type W or an end sensor type W
- Integrated resistor
- 2-wire cable ($\varnothing 2.9 \text{ mm PUR}$, $2 \times 0.25 \text{ mm}^2 \text{ Cu}$)



Sensor type BK with 2 lines

- As a feed-through sensor type BK
- Without resistor
- Two 2-wire cables ($\varnothing 2.9 \text{ mm PUR}$, $2 \times 0.25 \text{ mm}^2 \text{ Cu}$)

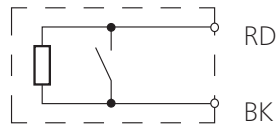


Wire colours

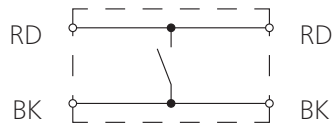
Colour coding

BK Black
RD Red

Sensor type W



Sensor type BK with 2 lines



Sensor surface

Physical resistance

Higher degree of protection

A special adhesive (part no. 1004987) allows a higher degree of protection up to IP64.

Miniature safety edge EKS	TPE
IEC 60529: Degree of protection	IP40
UV-resistance	yes

Chemical resistance

The sensor is resistant against normal chemical influences such as diluted acids and alkalis as well as alcohol over an exposure period of 24 hrs.

The specifications in the table are the result of tests conducted in our lab at room temperature (+23 °C). The suitability of our products for your special area of application must always be verified with your own practical tests.

Subject to technical modifications.

Material	TPE
Acetone	-
Formic acid	-
Armor All	+
Car shampoo	+
Petrol	-
Brake fluid	+
Buraton	+
Butanol	-
Sodium hypochlorite	-
Disinfectant 1 %	+
Diesel	-
Acetic acid 10 %	-
Ethanol	+
Ethyl acetate	-
Ethylene glycol	+
Greases	±
Anti-frost agent	+
Skin cream	+
Icidine	+
Incidine	+
Incidine plus	+
Cooling lubricant	-
Plastic cleaner	+
Lyso FD 10	+
Metal working oil	-
Microbac	+
Microbac forte	+
Minutil	+
Saline solution 5 %	+
White spirit (ethyl alcohol)	+
Terralin	+
Centring oil	-

Explanation of symbols:

+ = resistant

± = resistant to a certain extent

- = not resistant

Attachment

Three mounting types are available:

- Acrylic foam adhesion
- Snap-in foot
- Clamp foot

The mounting type depends on the selected contact profile.

Mounting type	EKS 011	EKS 014	EKS 052
Acrylic foam adhesion	•	–	–
Snap-in foot	–	•	–
Clamp foot	–	–	•

Per acrylic foam adhesion

The miniature safety edge is equipped with double-sided foam adhesive tape. The double-sided foam adhesive tape (acrylic foam) is already affixed to the bottom side of the contact profile.

With primer

The clean, dry and smooth bonding surface must be treated with primer before the miniature safety edge is mounted.

Without primer

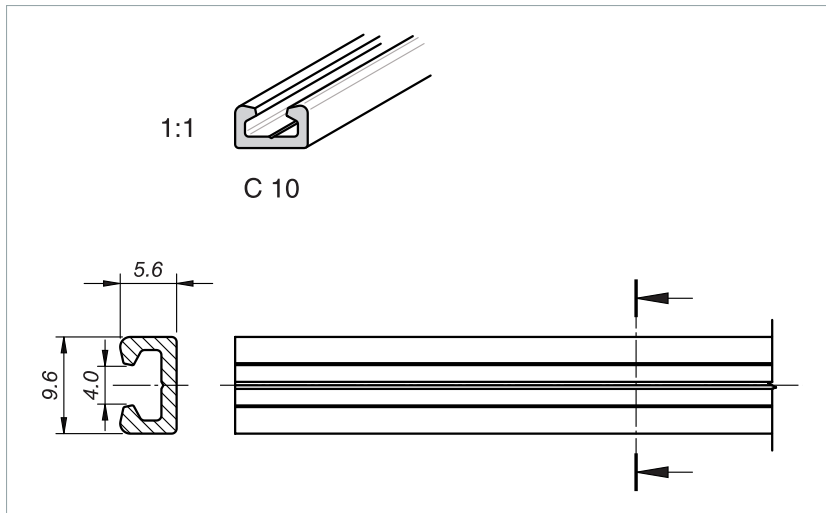
Only in the case of uncoated aluminium, the acrylic foam also adheres dependably without primer.

Not suitable

The following materials are not suitable for acrylic foam adhesive tape: CAB, glass, natural wood, PE, HDPE and PS.

Per snap-in foot

The miniature safety edge is clipped into an aluminium profile.



Aluminium profile C 10

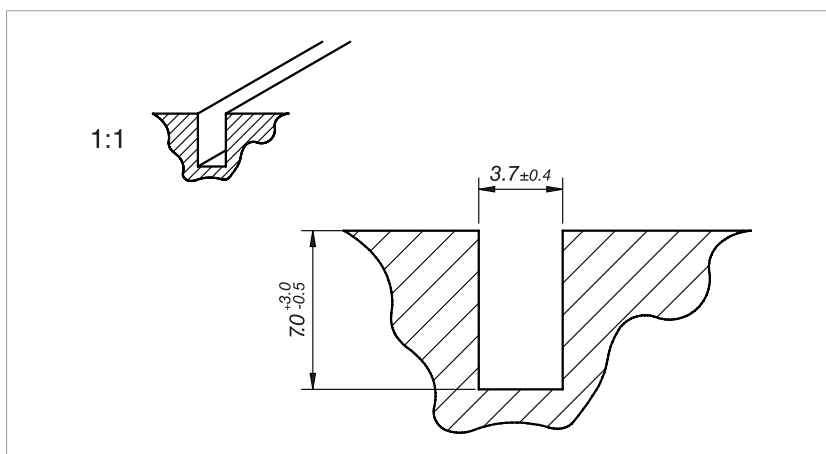
Standard profile for EKS 014:

First the aluminium profile must be mounted onto the closing edge and then the miniature safety edge clipped into the aluminium profile.

Per clamp foot

The miniature safety edge is pressed into a groove.

A precise groove provides for an accurate and lasting fit.



Maintenance and cleaning

The sensors are virtually maintenance-free.
The control unit also monitors the sensor.

Regular inspection

Depending on the utilisation, sensors must be inspected at regular intervals (at least monthly)

- for proper functioning,
- damage,
- and correct mounting.

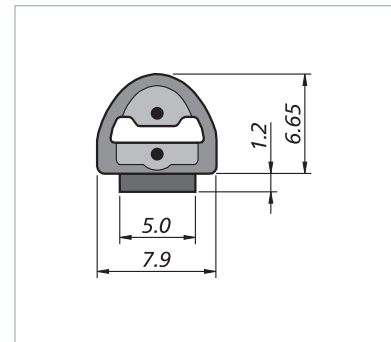
Cleaning

If the sensors become dirty, they can be cleaned with a mild cleaning product.

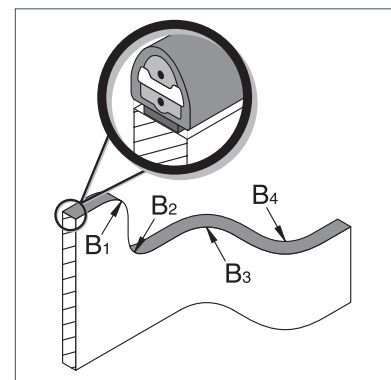
Technical data

SK EKS 011 TPE

Miniature safety edge (without sensor)	SK EKS/W 011 TPE or SK EKS/BK 011 TPE	
Test principles	based on ISO 13856-2	
Switching characteristics at $v_{\text{test}} = 50 \text{ mm/s}$		
Switching operations	$> 1 \times 10^5$	
Test piece $\varnothing 10 \text{ mm}$, $F = 100 \text{ N}$		
Actuation force	+23 °C	-25 °C
Test piece $\varnothing 4 \text{ mm}$	$< 15 \text{ N}$	$< 30 \text{ N}$
Test piece (cylinder) $\varnothing 200 \text{ mm}$	$< 25 \text{ N}$	$< 50 \text{ N}$
Actuation distance	$< 2.0 \text{ mm}$	
Test piece (cylinder) $\varnothing 80 \text{ mm}$		
Actuation angle	$\pm 40^\circ$	
Test piece (cylinder) $\varnothing 80 \text{ mm}$		
Finger detection	yes	
Safety classifications		
ISO 13849-1: B_{10D}	2×10^6	
Mechanical operating conditions		
Sensor length (min./max.)	10 cm / 50 m	
Cable length	2.5 m	
Acrylic foam: Peel force	15 N/cm	
Bend radii (min.): $B_1 / B_2 / B_3 / B_4$	120 / 150 / 20 / 20 mm	
max. load capacity (signal)	600 N	
Tensile load, cable (max.)	20 N	
IEC 60529: Degree of protection	IP40	
Operating temperature	-25 to +80 °C	
short-term (15 min)	-40 to +100 °C	
Storage temperature	-40 to +80 °C	
DIN 75200: Behaviour in fire	ca. 40 mm/min	
Weight (with Acrylic foam)	43 g/m	
Electrical operating conditions		
Terminal resistance ($\pm 1\%$)	1k2, 2k2 or 8k2	
Rated capacity (max.)	250 mW	
Contact transition resistance	$< 400 \text{ Ohm}$ (per sensor)	
Number of sensors type BK	max. 3 in series (For more information refer to the chapter <i>Limits</i>)	
Switching voltage (max.)	DC 24 V	
Switching current (min. / max.)	1 mA / 10 mA	
Connection cable	$\varnothing 2.9 \text{ mm PUR } 2 \times 0.25 \text{ mm}^2$	
Dimensional tolerances		
Length according to	ISO 3302 L2	
Profile section according to	ISO 3302 E2	



Bend radii:

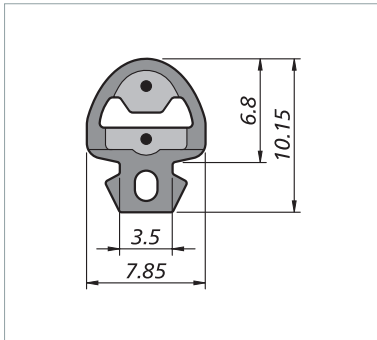


Higher degree of protection, higher tensile load

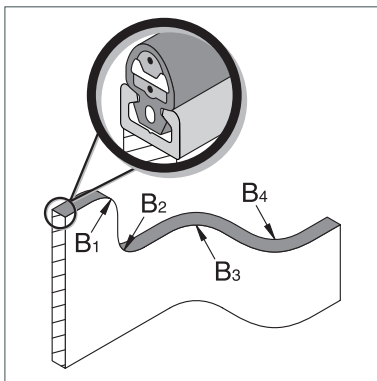
A special adhesive (part no. 1004987) allows a higher degree of protection up to IP64 and a tensile load on the cable up to 60 N.

Technical data

SK EKS 014 TPE



Bend radii:



Higher degree of protection, higher tensile load

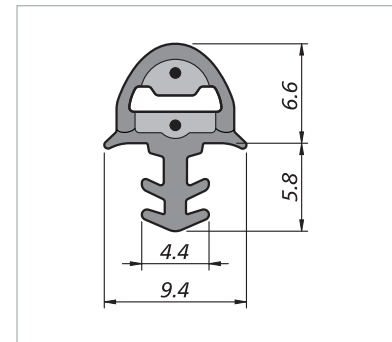
A special adhesive (part no. 1004987) allows a higher degree of protection up to IP64 and a tensile load on the cable up to 60 N.

Miniature safety edge (without sensor)	SK EKS/W 014 TPE or SK EKS/BK 014 TPE	
Test principles	based on ISO 13856-2	
Switching characteristics at $v_{test} = 50 \text{ mm/s}$		
Switching operations	$> 1 \times 10^5$	
Test piece $\varnothing 10 \text{ mm}$, $F = 100 \text{ N}$		
Actuation force	+23 °C	-25 °C
Test piece $\varnothing 4 \text{ mm}$	$< 15 \text{ N}$	$< 30 \text{ N}$
Test piece (cylinder) $\varnothing 200 \text{ mm}$	$< 25 \text{ N}$	$< 50 \text{ N}$
Actuation distance	$< 2.0 \text{ mm}$	
Test piece (cylinder) $\varnothing 80 \text{ mm}$		
Actuation angle	$\pm 40^\circ$	
Test piece (cylinder) $\varnothing 80 \text{ mm}$		
Finger detection	yes	
Safety classifications		
ISO 13849-1: B_{10D}	2×10^6	
Mechanical operating conditions		
Sensor length (min./max.)	10 cm / 50 m	
Cable length	2.5 m	
Snap-in foot width	3.5 mm	
Alu-Profil (empfohlen)	C 10	
Bend radii (min.): $B_1 / B_2 / B_3 / B_4$	120 / 150 / 20 / 20 mm	
max. load capacity (signal)	600 N	
Tensile load, cable (max.)	20 N	
IEC 60529: Degree of protection	IP40	
Operating temperature	-25 to +80 °C	
short-term (15 min)	-40 to +100 °C	
Storage temperature	-40 to +80 °C	
DIN 75200: Behaviour in fire	ca. 40 mm/min	
Weight (without/with Aluminium profile)	49 g/m / 125 g/m	
Electrical operating conditions		
Terminal resistance ($\pm 1\%$)	1k2, 2k2 or 8k2	
Nennleistung (max.)	250 mW	
Contact transition resistance	$< 400 \text{ Ohm}$ (per sensor)	
Number of sensors type BK	max. 3 in series (For more information refer to the chapter <i>Limits</i>)	
Switching voltage (max.)	DC 24 V	
Switching current (min. / max.)	1 mA / 10 mA	
Connection cable	$\varnothing 2.9 \text{ mm PUR } 2 \times 0.25 \text{ mm}^2$	
Dimensional tolerances		
Length according to	ISO 3302 L2	
Profile section according to	ISO 3302 E2	

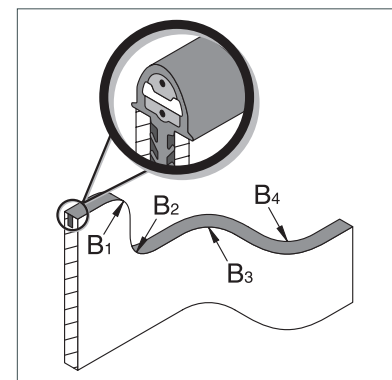
Technical data

SK EKS 052 TPE

Miniature safety edge (without sensor)	SK EKS/W 052 TPE oder SK EKS/BK 052 TPE	
Test principles	based on ISO 13856-2	
Switching characteristics at $v_{\text{test}} = 50 \text{ mm/s}$		
Switching operations	$> 1 \times 10^5$	
Test piece $\varnothing 10 \text{ mm}$, $F = 100 \text{ N}$		
Actuation force	+23 °C	-25 °C
Test piece $\varnothing 4 \text{ mm}$	$< 15 \text{ N}$	$< 30 \text{ N}$
Test piece (cylinder) $\varnothing 200 \text{ mm}$	$< 25 \text{ N}$	$< 50 \text{ N}$
Actuation distance	$< 2.0 \text{ mm}$	
Test piece (cylinder) $\varnothing 80 \text{ mm}$		
Actuation angle	$\pm 40^\circ$	
Test piece (cylinder) $\varnothing 80 \text{ mm}$		
Finger detection	yes	
Safety classifications		
ISO 13849-1: B_{10D}	2×10^6	
Mechanical operating conditions		
Sensor length (min./max.)	10 cm / 45 m	
Cable length	2.5 m	
Groove width for clamp foot	$3.7 \pm 0,4 \text{ mm}$	
Bend radii (min.): $B_1 / B_2 / B_3 / B_4$	120 / 150 / 20 / 20 mm	
max. load capacity (signal)	600 N	
Tensile load, cable (max.)	20 N	
IEC 60529: Degree of protection	IP40	
Operating temperature	$-25 \text{ to } +80 \text{ °C}$	
short-term (15 min)	$-40 \text{ to } +100 \text{ °C}$	
Storage temperature	$-40 \text{ to } +80 \text{ °C}$	
DIN 75200: Behaviour in fire	ca. 40 mm/min	
Weight	54 g/m	
Electrical operating conditions		
Terminal resistance ($\pm 1\%$)	1k2, 2k2 or 8k2	
Nennleistung (max.)	250 mW	
Contact transition resistance	$< 400 \text{ Ohm}$ (per sensor)	
Number of sensors type BK	max. 3 in series (For more information refer to the chapter <i>Limits</i>)	
Switching voltage (max.)	DC 24 V	
Switching current (min. / max.)	1 mA / 10 mA	
Connection cable	$\varnothing 2.9 \text{ mm PUR } 2 \times 0.25 \text{ mm}^2$	
Dimensional tolerances		
Length according to	ISO 3302 L2	
Profile section according to	ISO 3302 E2	



Bend radii:



Higher degree of protection, higher tensile load

A special adhesive (part no. 1004987) allows a higher degree of protection up to IP64 and a tensile load on the cable up to 60 N.

Marking

If you combine sensors with control units and thereby release pressure-sensitive safeguards onto the market, observe the basic regulations in ISO 13856.

Apart from technical requirements, this applies in particular also to marking and information for use.

Contents

Safety Bumper Programme

Available forms and lengths.....	7.1
Available cross sections.....	7.2
Installation / mounting.....	7.2
Position of cable exits	7.3
Cable connection	7.3
Aluminium base plates	7.4
Design of the depth	7.5
Colour	7.6
Skin.....	7.6
Chemical resistance	7.6

Special types

Custom types.....	7.7
-------------------	-----

Technical data

SB/W and SB/BK incl. SG-EFS 1X4 ZK2/1	7.8
SB/W and SB/BK incl. SG-SLE 04-0X1	7.8
SB/M.....	7.9

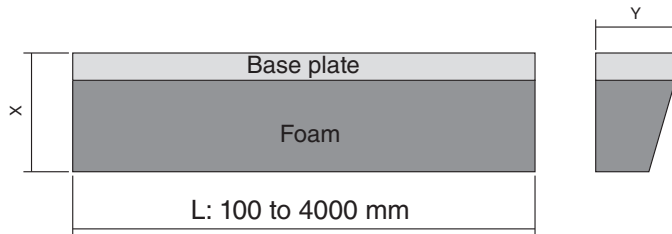
Request for quotation

Fax sheet.....	7.10
----------------	------

Available forms and lengths

Safety bumper 7.1

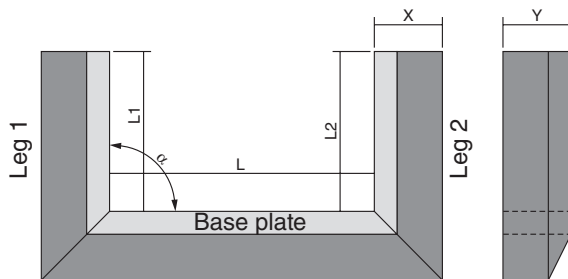
Straight form



Standard straight form:
 Length L: 100 to 4,000 mm
 Special versions on request.

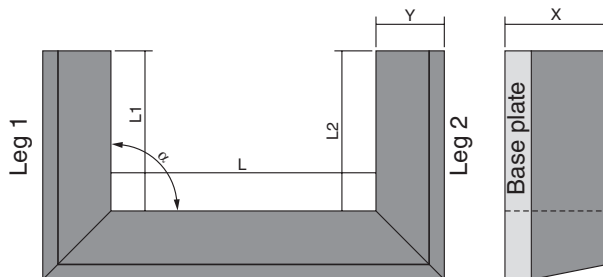
U-form

Horizontal



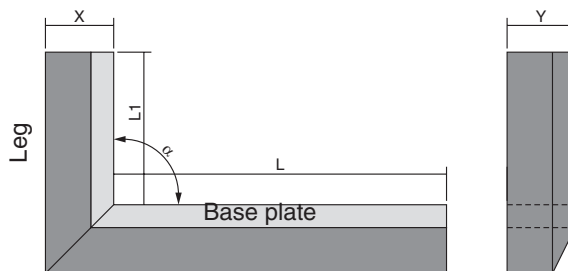
Standard U-form:
 Covered area (L1 x L or L2 x L): max. 4 m²
 Leg angle α : 90°, 120°, 135°, 150°
 Same depth X:
 for L, L1 and L2
 Special versions on request.

Vertical



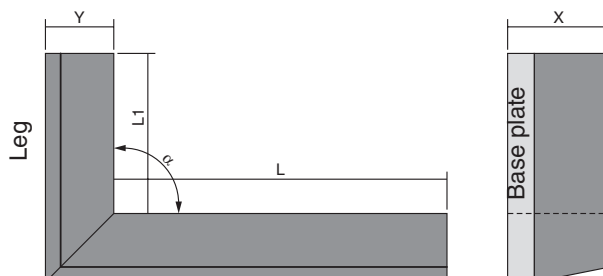
L-form

Horizontal



Standard L-form:
 Covered area (L1 x L): max. 4 m²
 Leg angle α : 90°, 120°, 135°, 150°
 Same depth X:
 for L and L1
 Special versions on request.

Vertical

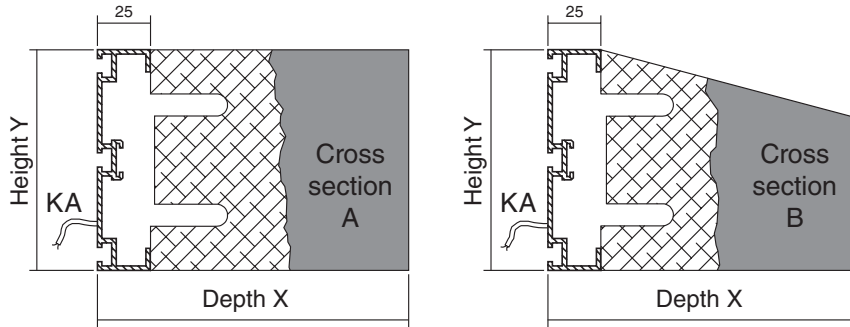


Available cross sections

Safety bumper 7.2

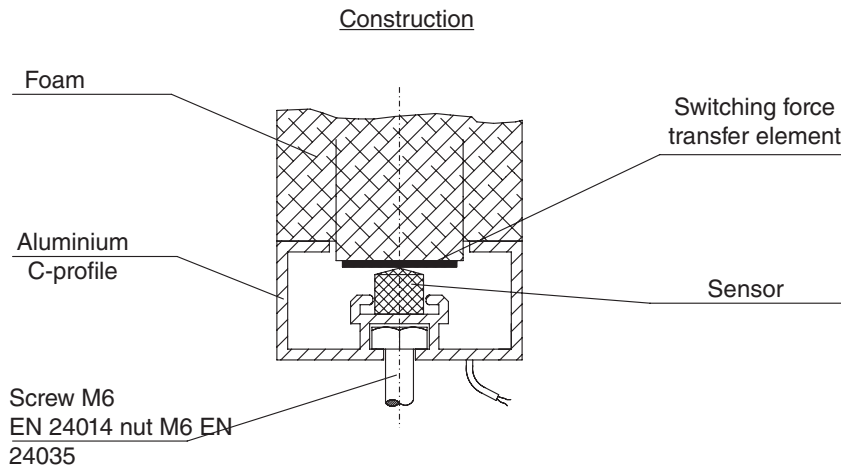
Standard safety bumpers are available in 2 cross sections:

- Cross section A rectangular for Y = 40
- Cross section B wedge-shaped for Y = 100; 150; 200



Installation / mounting

Universal mounting with M 6 bolts or nuts in continuous C-profile grooves.



Position of cable exits

Safety bumper 7.3

The position of the cable exits (CE) can be designed to be variable.

Standard position:

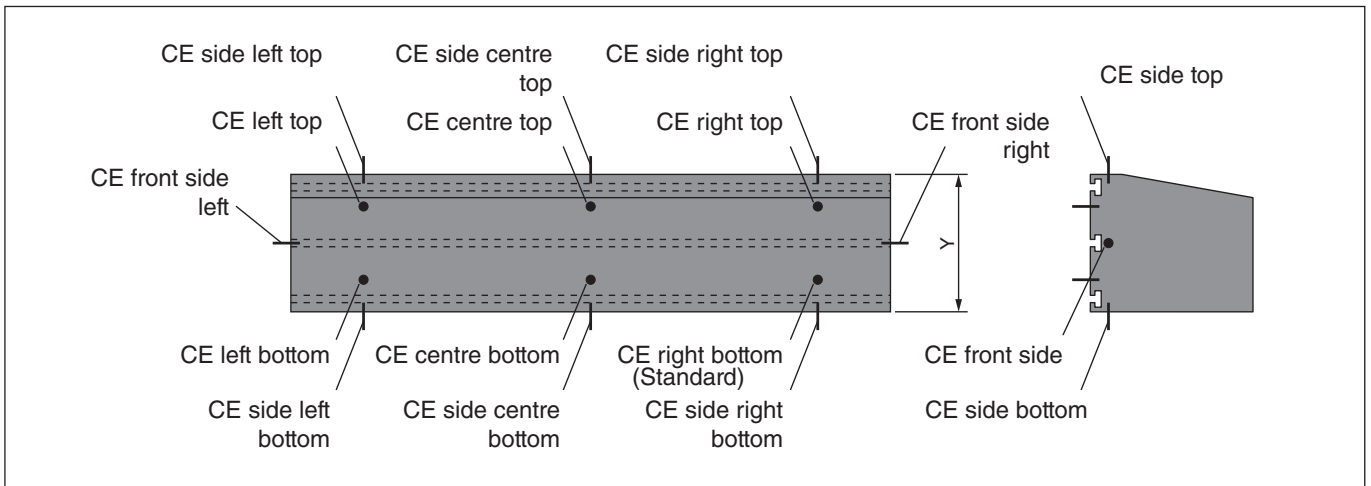
Horizontal: 50 mm from left/right or centred

Vertical for height

Y = 40 mm: 8 mm from top/bottom

Y = 100 / 150 / 200 mm: 20 mm from top/bottom

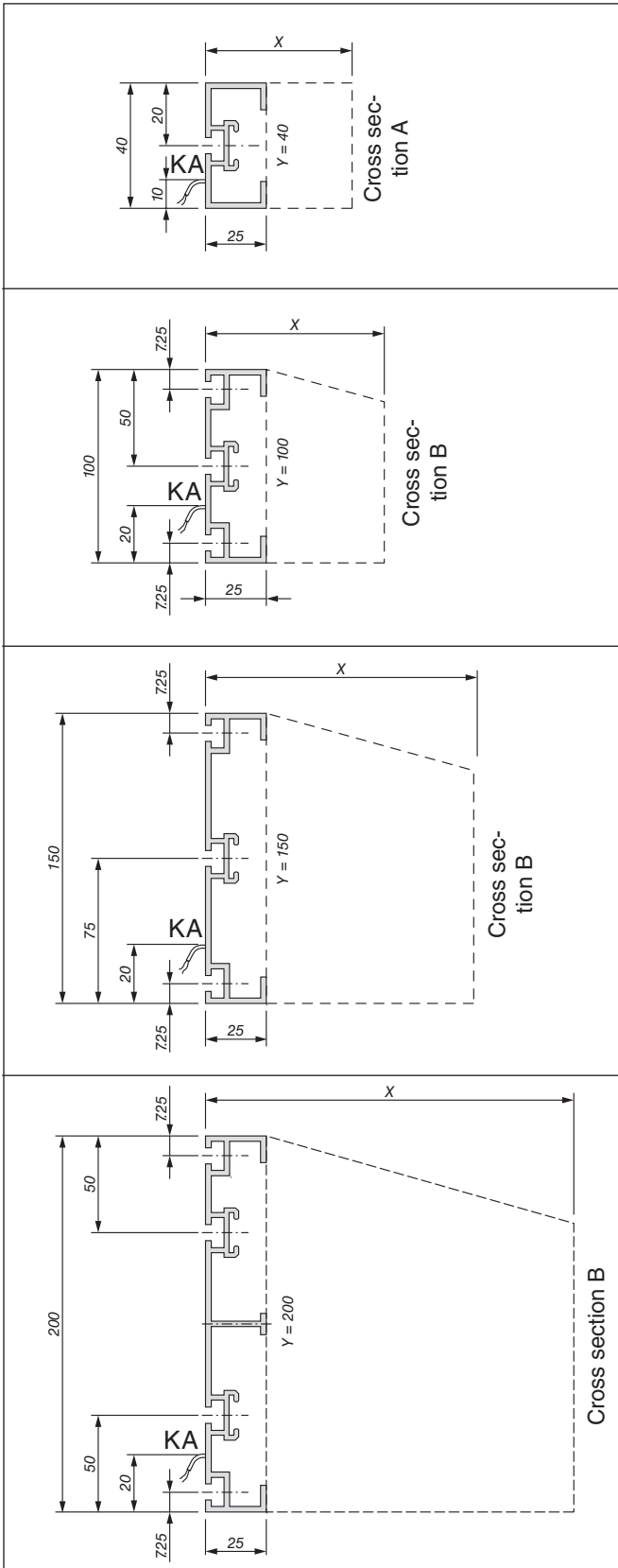
Special versions on request.



Cable connection

Standard

- Cable
 - 2-wire technology: Ø 5 mm; 2x 0.5 mm² or 4x 0.34 mm² Cu
 - 4-wire technology: Ø 5 mm; 2x 0.5 mm² or 4x 0.34 mm² Cu
 - NC technology: Ø 5 mm; 2x 0.5 mm² Cu
- Cable length: 2 m
Special lengths possible
- Cable ends without plug or coupling
Option: Cable ends with plug or coupling available



Cross section: **A**
 Height: **Y = 40**
 Available Depth: **X = 60 to 150**

Cross section: **B**
 Height: **Y = 100**
 Available Depth: **X = 70 to 250**

Cross section: **B**
 Height: **Y = 150**
 Available Depth: **X = 70 to 300**

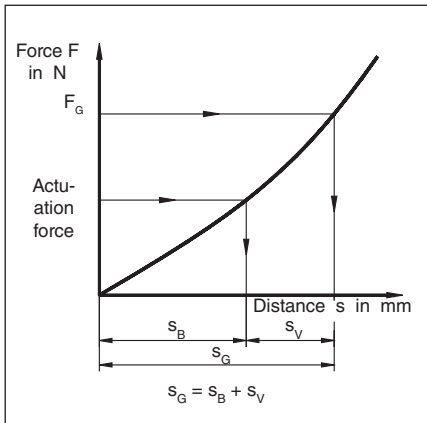
Cross section: **B**
 Height: **Y = 200**
 Available Depth: **X = 70 to 500**

Design of the depth

Safety bumper 7.5

The depth of a safety bumper is determined based on the stopping distance of the moving object and the actuation distance of the safety bumper. The design is carried out by Mayser Lindenberg. The data for the stopping distance must be provided by the customer.

Calculation of the depth by Mayser Lindenberg.



The basis for calculation of the depth is the force F_G . It represents a limiting force up to which a sensor deforms or can continue moving.

It is assumed that this force does not present a hazard for human beings.

A force $F_G = 250$ N is recommended as a value for an adult.

Formula for calculating the stopping distance or follow-through s_V :

$$s_V = \frac{1}{2} \times v \times t \quad \begin{matrix} v & = & \text{Speed} \\ t & = & \text{Time} \end{matrix}$$

Formula for calculating the total deformation distance s_G :

$$s_G = s_B + s_V \quad s_B = \text{Actuation distance}$$

Example:

The object to be protected is a vehicle with a width of 1.5 m, which travels at a speed of 0.3 m/s. The time from the stop signal until the vehicle stops is 2 s. The calculated stopping distance is:

$$s_V = \frac{1}{2} \times v \times t = \frac{1}{2} \times 0.3 \text{ m/s} \times 2 \text{ s} = 0.3 \text{ m} = 300 \text{ mm}$$

The actuation distance s_B is assumed to be 30 mm. This results in the total deformation distance s_G :

$$s_G = s_B + s_V = 300 \text{ mm} + 30 \text{ mm} = 330 \text{ mm}$$

Mayser uses this data to determine a required depth of the safety bumper of 465 mm. That means that the maximum force F_G acting on the person or object, with a deformation of 330 mm for this safety bumper will be 250 N.

For available depths, see 7.4

The depth $X = 465$ mm necessitates a safety bumper with a height of $Y = 200$ mm. The required safety bumper therefore has the following dimensions:

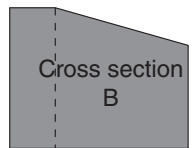
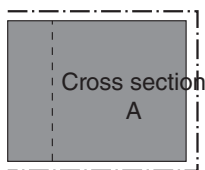
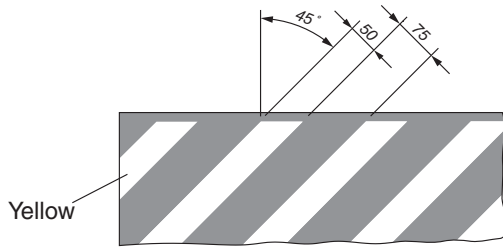
- Length in mm: 1500
- Height in mm: 200
- Depth in mm: 465

Subject to technical modifications.

Colour

- Jet black (similar to RAL 9005) or
 - Jet black with yellow stripes (similar to RAL 1021)
- Other colours and colour combinations are available.

Safety bumper 7.6



The yellow stripes are applied in the area of the dot-dash line.

Skin

- Eco-friendly PUR skin with good mechanical properties

Chemical resistance

A requirement for the following resistance values (at room temperature 23 °C) is an intact, undamaged bumper skin.

Skin	PUR
Acetone	±
Formic acid	-
Ammonia	+
Petrol	±
Brake fluid	-
Diesel oil	+
Acetate	-
Isopropyl alcohol	+
Methyl alcohol	+
Hydrochloric acid 10 %	+
Sulphuric acid 50 %	±
Spirit (ethyl alcohol)	+
Carbon tetrachloride	±
Rolling oil	+
Water	+
Hydrogen peroxide 10 %	+
Household/sanitary cleaner	+

Explanation of symbols:
 + = resistant
 ± = resistant to a certain extent
 - = not resistant

The information is provided to the best of our knowledge and conscience as the results from tests conducted in our lab. Binding obligations cannot be derived from it. The suitability of our products for special applications must always be examined in the customer's own tests.

Custom types

Safety bumper 7.7

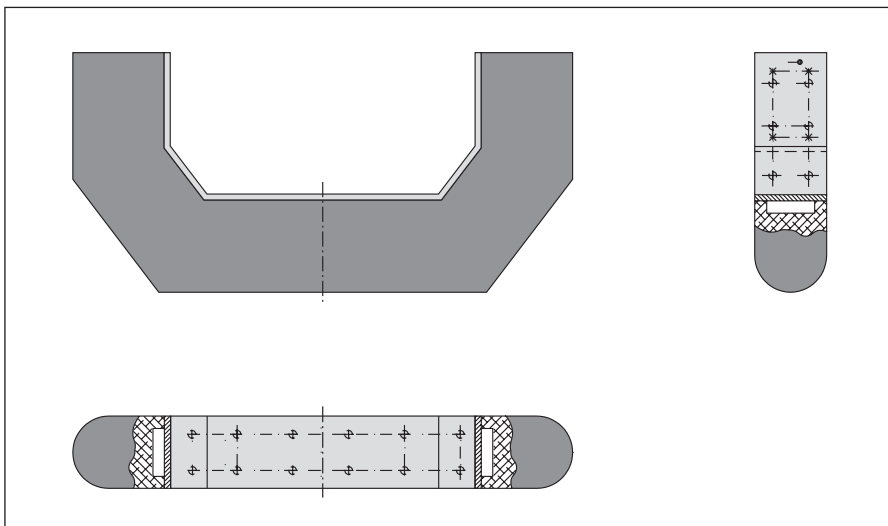
Types

Different types of the safety bumpers are available for special applications.

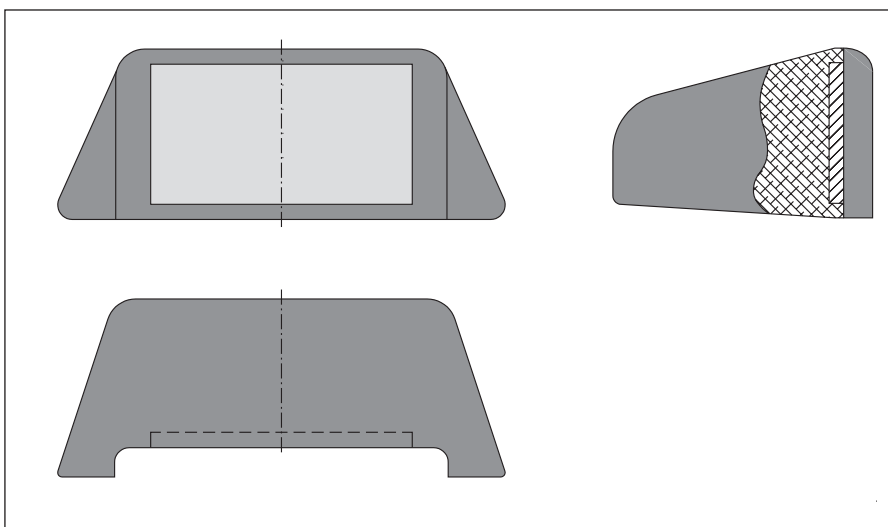
- Forms: U-form, L-form, ...
 Surface: - Various skins and colours (single colour, striped, ...)
 - Protective sleeves for high mechanical loads
 - Heat-resistant coatings

Special solutions for explosion protected areas are possible.
 Custom base plates can be provided.

Examples from actual use



U-form



Trapezoidal form

Special types

If special forms or special monitoring facilities are needed, please contact Mayser's project engineers.

Mayser Safety System
 We ensure progress!

Technical data

Safety bumper 7.8

Safety bumper consisting of SB/W and SB/BK sensors and control unit
 Dimensions of sensor: 1000 x 150 x 210 mm *)

1.	Protection type sensor	IP53 *)	IP53 *)
2.	Sensor switching operations	> 10 ⁵ > 10 ^{4*})	> 10 ⁵ > 10 ^{4*})
3.	Switching times with control unit	SB/W and SB/BK SG-EFS 1X4 ZK2/1	SB/W and SB/BK SG-SLE 04-0X1
3.1	Response time	22 ms	22 ms
	Test speed	100 mm/s	100 mm/s
3.2	Reset of control command	Optionally manual or automatic	automatic
4.	Actuation force, deformation path, switching range of the safety bumper		
	Test specification:	EN 1760-2	DIN V 31006 T2
	Test sample	Ø 80 mm 45 x 400 mm	Ø 80 mm 45 x 400 mm
4.1	Actuation force	< 150 N < 600 N	< 150 N < 600 N
4.2	Deformation paths sV at 100 mm/s *)	96 mm	96 mm
4.3	Effective switching range WB*)	90°	90°
5.	Behaviour in case of fault*)	Single-fault tolerance EN 954 Category 3	Single-fault tolerance EN 954 Category 3
6.	Operating and environmental conditions		
6.1	Operating temperature Sensor *)	- 20 °C to +55 °C	- 20 °C to +55 °C
7.	Operation/maintenance		
7.1	Maintenance	The sensor is maintenance-free.	
7.2	Monitoring	Co-monitoring by control unit	
7.3	Inspection by expert (1x annually) according to ZH 1/494	<ul style="list-style-type: none"> • When the sensor is not actuated, both LEDs must light up. • When the sensor is actuated both relays open; the two LEDs go out. • This inspection should be carried out at different locations of the sensor. 	
8.	Chemical resistance	The sensor is resistant to normal chemical influences such as diluted acids, alkaline solutions, and alcohol over an exposure period of 24 hours.	
9.	Bumper repair set (Accessories)	Damage to the foam body can result in functional impairment. The damage can be repaired with the bumper repair set.	

All data marked with *) is documented with EC design certificates.

Technical data

Safety bumper 7.9

Safety bumper consisting of SB/M sensor.
 Dimensions of sensor: 1000 x 40 x 120 mm *)

- | | |
|--|---|
| 1. Sensor degree of protection | IP53 |
| 2. Switching operations and connection data | |
| 2.1 Sensor switching operations | 5x 106 |
| 2.2 Utilisation category | DC-13, DC 60 V / 0.5 A
AC-15, AC 230 V / 1.5 A |
| Max. continuous current | 8 A |
| 3. Switching times | |
| 3.1 Response time | 180 ms |
| Test speed | 100 mm/s |
| 3.2 Reset of control command | Automatic |
| 4. Actuation force, deformation path, switching range of the safety bumper | |
| Test specification: | EN 1760-2 |
| Test sample | Ø 80 mm |
| 4.1 Actuation force | < 150 N |
| 4.2 Overtravel distance at 100 mm/s | 49 mm *) |
| 4.3 Effective switching range WB | 90° *) |
| 5. Behaviour in case of fault | Single-fault tolerance *)
EN 954 Category 3 |
| Sequential control must likewise fulfil Category 3 according to EN 954. | |
| 6. Operating and environmental conditions | |
| 6.1 Operating temperature | |
| Sensor | +5 °C to +55 °C*) |
| 7. Operation/maintenance | |
| 7.1 Maintenance | The sensor is maintenance-free. |
| 7.2 Monitoring | NC chain with forced opening |
| 8. Chemical resistance | The sensor is resistant to normal chemical influences such as diluted acids, alkaline solutions, and alcohol over an exposure period of 24 hours. |
| 9. Bumper repair set (Accessories) | Damage to the foam body can result in functional impairment. The damage can be repaired with the bumper repair set. |

All data marked with *) is documented with EC design certificates.

Request for quotation (1 of 2)**Safety bumper 7.10****Sender:**

Company _____

Department _____

Last name, first name _____

P.O. Box _____

Postcode _____

City _____

Address _____

Postcode _____

City _____

Phone _____

Fax _____

E-mail _____

All properties marked with * indicate the standard version.

Quantity: _____

Please complete one request for quotation for each bumper type

↓ Please leave column free! ↓
Space for internal use**Area of application:**

- AGV Gate systems Moving machine component
- Med. area
- Miscellaneous _____

Stopping distance:

max. _____ mm

Always fill in

Travel speed: _____ m/s

Stopping time: _____ s

Environmental conditions:

- Dry * Water Oil
- (Wood) dust Explosion protection Category: _____
- Aggressive substances: ○ _____ Coolant: _____
- Solvent: _____
- Paints: _____
- Other: _____

Ambient temperature: from _____ °C bis _____ °C

Contours / forms:

Forms:

Cross section:

Installation position:

- Straight * A horizontal *
- L-form horizontal * B vertical
- L-form vertical * suspended
- U-form horizontal * Radiuses: Upright
- U-form vertical * Longitudinal edges
- Area
- Cylinder
- Ring

Please
turn

Request for quotation (2 of 2)**Dimensions:**

Length: _____ mm

Height Y: _____ mm

Depth X: _____ mm

Colour / marking:

Basic colour:

 Black * _____ Shoe icon

Stripes:

 Yellow * _____

Hatching:

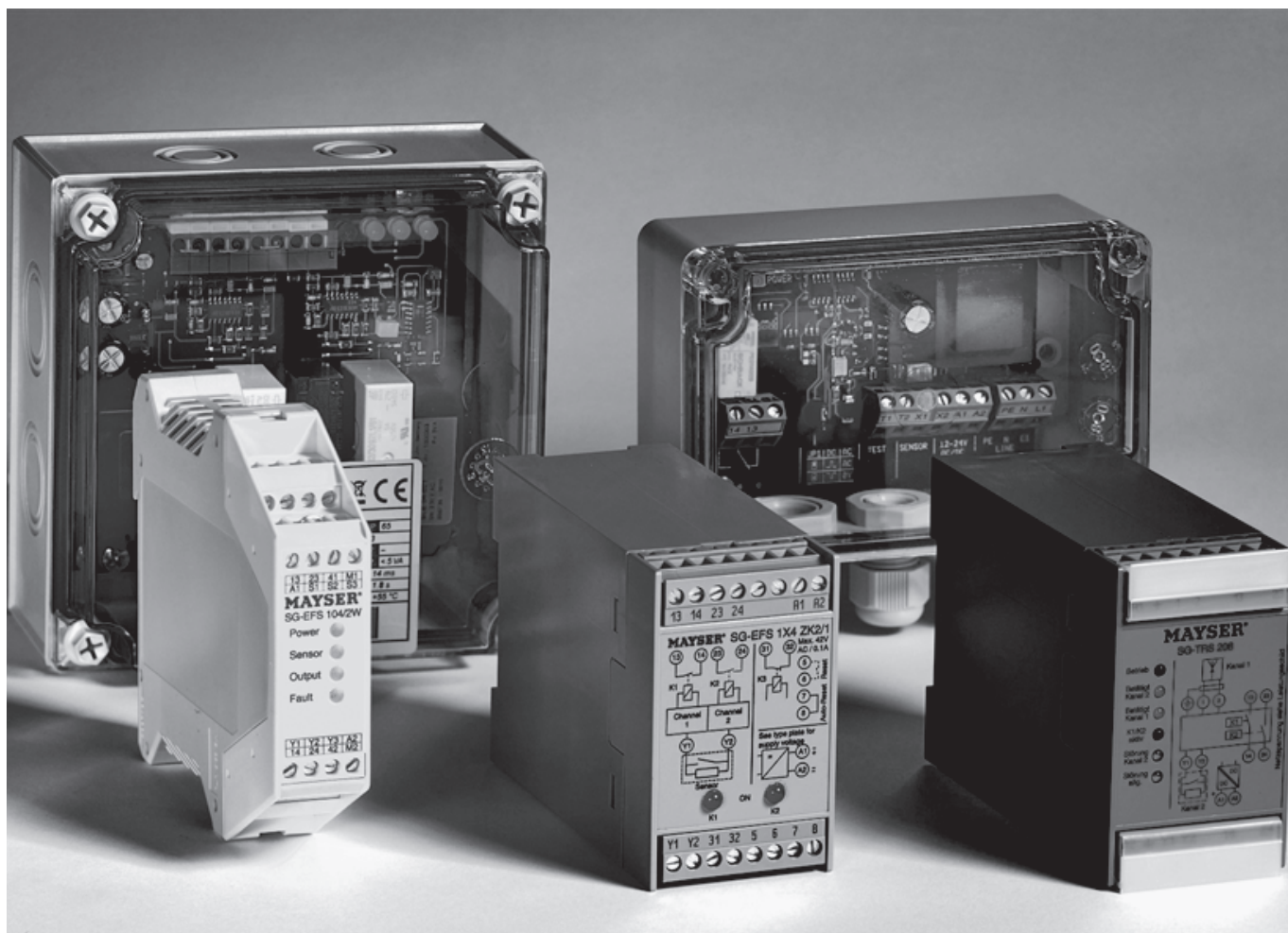
 45° * 45° herring bone**Electrical implementation:** SB/BK Inactive SB/W SB/M**Cable:** 2000 mm * Plug

Output:

 Right * Side Other length: _____ mm Coupling Left Top Centred Bottom**Base plate:** C40 * C200 * Other: _____ C100 * Alu 3 mm C150 ***Mounting:** For C40, C100, C150, C200 by means of bolt/nut M6 * Rivet nuts Threaded bolts _____**Area to be protected:**

(If possible, include a drawing or CAD data, with mounting option and cable routing)

↓ Please leave column free! ↓
Space for internal use



Control units SG



EN | Overview

Mayser GmbH & Co. KG

Örlinger Straße 1-3

89073 Ulm





GERMANY

Phone: +49 731 2061-0

Fax: +49 731 2061-222

E-mail: info.ulm@mayser.com

Internet: www.mayser.com

Type	 SG-EFS 104/4L	 SG-EFS 104/2W	 SG-EFS 1X4 ZK2/1	 SG-EFS 1X4 ZK2/1 8k2
Safety classifications				
ISO 13856: Reset function	with/without	with/without	with/without	with/without
ISO 13849-1:2006	Category 3 PL e	Category 3 PL d	Category 3 PL e	Category 3 PL e
MTTF _D	73 years	257 years	313 years	313 years
DC _{avg}	90 %	60 %	90 %	90 %
B _{10D} [× 10 ⁶]	0,4	1,8	2	2
Times				
Reaction time	< 30 ms	< 15 ms	< 10 ms	< 10 ms
Re-start time	< 500 ms	< 50 ms	< 190 ms	< 190 ms
Control unit-Inputs				
Sensor types	SM, SL, MSL, SB	SM, SL, MSL, SB	SM, SL, MSL, SB	SM, SL, MSL, SB
Type of monitoring	4-wire technology	Monitoring resistor 1k2 or 8k2	Monitoring resistor 1k2	Monitoring resistor 8k2
Monitoring circuit	1	1	1	1
Further Inputs				
Control unit-Outputs				
Switching channels	1× 3-channel	1× 2-channel	1× 2-channel	1× 2-channel
Switching voltage (min. / max.)	- / 5 A	- / 4 A	10 mA / 2 A	10 mA / 2 A
Switching capacity (max.)	1150 VA / 120 W	1000 VA / 96 W	500 VA / 48 W	500 VA / 48 W
Further Outputs	1 signal circuit	1 signal circuit, 2 signal outputs	1 signal circuit	1 signal circuit
Mechanical operating conditions				
Mounting	Mounting rail IEC 60715	Mounting rail IEC 60715	Mounting rail IEC 60715	Mounting rail IEC 60715
IEC 60529: Degree of protection	IP20	IP20	IP20	IP20
Operating temperature	-25 to +55 °C	-25 to +55 °C	-20 to +50 °C	-20 to +50 °C
Dimensions (W × H × D)	22,5 × 99 × 114,5 mm	22,5 × 99 × 114,5 mm	45 × 75 × 105 mm	45 × 75 × 105 mm
Variants	SG-EFS 104/4L	SG-EFS 104/2W	SG-EFS 104 ZK2/1	SG-EFS 104 ZK2/1 8k2
Part number	1004128	1005196	1000841	1003100
Connecting voltage U _s	AC/DC 24 V	AC/DC 24 V	AC / DC 24 V	AC/DC 24 V
Power consumption P	< 7 VA / < 3 W	< 4 VA / < 3 W	< 5 VA / < 3 W	< 5 VA / < 3 W
			SG-EFS 114 ZK2/1	
			1001272	
			AC 115 V	
			< 7 VA	
			SG-EFS 134 ZK2/1	SG-EFS 134 ZK2/1 8k2
			1000842	7500354
			AC 230 V	AC 230 V
			< 7 VA	< 7 VA



SG-SLE X4-0X1



SG-RST 204



SG-RST 153



SG-RS 204

without
Category 3 PL e
279 years
90 %
2

without
Category 3 PL e
306 years
90 %
2

without
Category 2 PL c
33 years
90 %
0,18

without
Category 1 PL c
155 years
—
1

< 14 ms
< 1,8 s

< 20 ms
< 50 ms

< 5 ms
< 50 ms

< 15 ms
< 20 ms

SM, SL, MSL, SB
Monitoring resistor
22k1
4

SM, SL, MSL, SB
Monitoring resistor 8k2
2

SM, SL, MSL, SB
Monitoring resistor 8k2
1
1x Test signal

SL, MSL
Monitoring resistor 1k2
2

1x 2-channel
10 mA / 2 A
500 VA / 48 W
1 reverse travel com-
mand

2x 2-channel
— / 2 A
500 VA / 48 W
—

1x 2-channel
— / 2 A
500 VA / 48 W
—

1x 2-channel
10 mA / 2 A
250 VA / 48 W
—

Wall-mounted / PCB
without enclosure
IP65 / IP00
-20 to +55 °C
125 x 125 x 75mm /
107 x 99 x 41,5 mm

Mounting rail
IEC 60715
IP20
-20 to +55 °C
45 x 75 x 105 mm

Wall-mounted
IP65
-30 to +55 °C
120 x 107 x 55 mm

Mounting rail
IEC 60715
IP20
-25 to +60 °C
22,5 x 75 x 105 mm

SG-SLE X4-051
1000305
AC/DC 24 V
< 5 VA / < 3 W

SG-SLE X4-021
1000307
AC 230 V
< 5 VA

SG-RST 204
1006265
DC 24 V
< 5 W

SG-RST 153
1004931
AC/DC 12 bis 24 V
< 1,5 VA / < 1,5 W

SG-RST 153
8104931
AC 230 V
< 3 VA

SG-RS 204
1001825
DC 12 V
< 1 W

SG-RS 204
1001414
AC/DC 24 V
< 4 VA / < 2 W

[Empty page]



Signal transmission system WLS



EN | Product information

Mayser GmbH & Co. KG

Örlinger Straße 1-3

89073 Ulm

GERMANY

Phone: +49 731 2061-0

Fax: +49 731 2061-222

E-mail: info.ulm@mayser.com

Internet: www.mayser.com

Areas of application

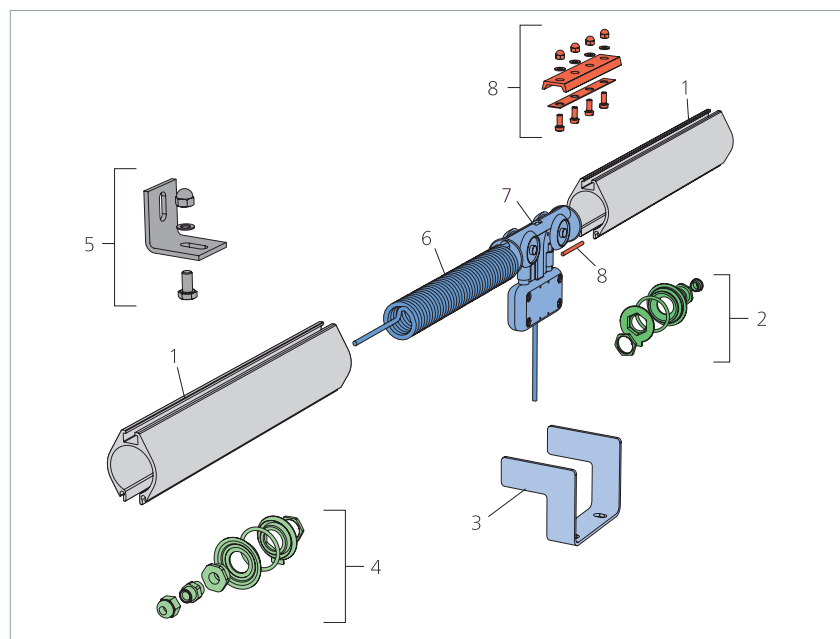


The WLS signal transmission system is used as a protective conduit for cables in doors and gates. When it comes to making danger areas safe, the system is especially suitable for safe transmission of signals between tactile sensors e.g. safety edges and the control module.

Examples:

- Vertical and horizontal gates
- Machine hoods and windows
- Conservatories
- Sun blinds
- Moulding and textile machines

System design



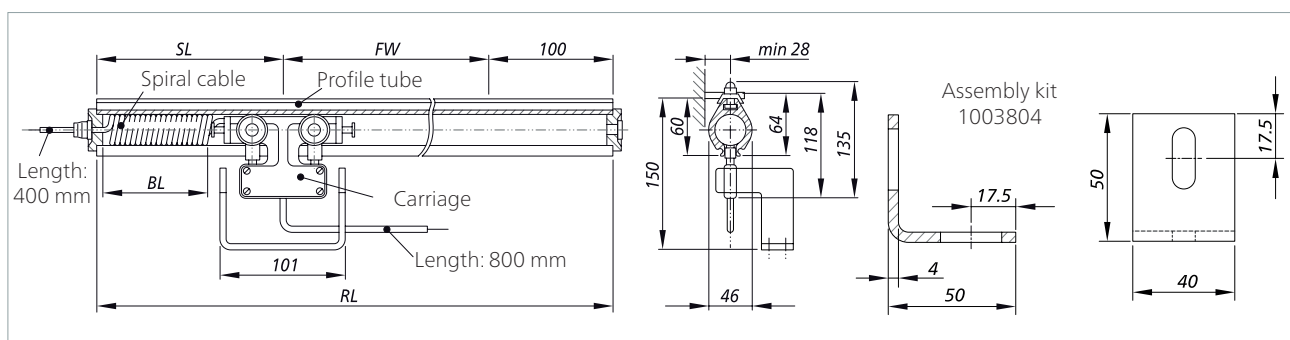
Pos.	Part No.	Designation	Comment
1	10038-06 ... -09	Profile tube WLS	aluminium anodised; 2, 3, 4 and 6 m
2	1003792	WLS-sealing cap	closed
3	1003771	Carrying fork for WLS	
4	1003791	WLS-sealing cap	PG7
6 + 7	75015-13 ... -24	Spiral cable with carriage	4x 0.14 mm ²
8	1003802	Tube connector for WLS	stainless steel

Accessories			
5	1003804	Fastening parts for WLS	incl. nuts and screws

Operation

The system consists of an aluminium profile tube and a specially designed, abrasion-resistant and extremely dimensionally stable spiral cable with carriage. When the carriage is put into motion the cable is stretched inside the profile tube and returns to its original position when the carriage goes back. The system components were designed to co-ordinate with each other and can be used in gates both indoors and outdoors. The WLS is suitable for gates in high-frequency operation.

Dimensions and part numbers



WLS complete	WLS-kit, no profile tube	Spiral cable with carriage	Max. runway	Profile tube length	Storage length	Block length
Part No.	Part No.	Part No.	FW [m]	RL [m]	SL [m]	BL [m]
7501482	7501501	7501513	1.5	2	0.3	0.12
7501483	7501502	7501514	1.6 ... 2.5	3	0.4	0.29
7501484	7501502	7501514	2.6 ... 3.5	4	0.4	0.29
7501485	7501503	7501515	3.6 ... 4.3	5 = 2+3	0.6	0.46
7501486	7501503	7501515	4.4 ... 5.3	6	0.6	0.46
7501487	7501504	7501516	5.4 ... 6.1	7 = 3+4	0.8	0.63
7501488	7501504	7501516	6.2 ... 7.1	8 = 4+4	0.8	0.63
7501489	7501505	7501517	7.2 ... 8.0	9 = 3+6	0.9	0.80
7501490	7501505	7501517	8.1 ... 9.0	10 = 4+6	0.9	0.80
7501491	7501506	7501518	9.1 ... 9.8	11 = 3+4+4	1.05	0.96
7501492	7501506	7501518	9.9 ... 10.8	12 = 6+6	1.05	0.96
7501493	7501506	7501518	10.9 ... 11.8	13 = 3+4+6	1.05	0.96
7501494	7501507	7501519	11.9 ... 12.6	14 = 2+6+6	1.25	1.13
7501495	7501507	7501519	12.7 ... 13.6	15 = 3+6+6	1.25	1.13
7501496	7501508	7501520	13.7 ... 15.3	17 = 2+3+6+6	1.60	1.48
7501497	7501509	7501521	15.4 ... 17.1	19 = 3+4+6+6	1.80	1.65
7501498	7501510	7501522	17.2 ... 19.0	21 = 3+6+6+6	1.90	1.78
7501499	7501511	7501523	19.1 ... 20.9	23 = 2+3+6+6+6	2.00	1.85
7501500	7501512	7501524	21.0 ... 23.5	26 = 2+6+6+6+6	2.40	2.28

Quantity buyers and dealers: please send us your request for quotation.

Technical data

Cable	special, wear-free, double insulated spiral cable
Number of wires/cross-section	4x 0.14 mm ²
Operating voltage	max. 48 V AC/DC
Max. load (at +25 °C)	max. 1.5 A eff.
Temperature range	-20 to +80 °C
Moving speed	40 m/min
Runway lengths	1.5 m to 23.5 m
System lengths	2.0 m to 26.0 m in fixed lengths: 2, 3, 4 and 6 m
Conduit rail	aluminium, anodized, warp resistant

At a glance

- Robust, simple, proven construction
- Quick and easy installation due to low number of components in modular form
- Maintenance-free
- Short envelope delay to meet the dynamic force and time parameters in accordance with EN 12453 and EN 12445



Cable conduit rails KLS 77 V2



EN | Product information

Mayser GmbH & Co. KG

Oerlinger Strasse 1-3

89073 Ulm

GERMANY

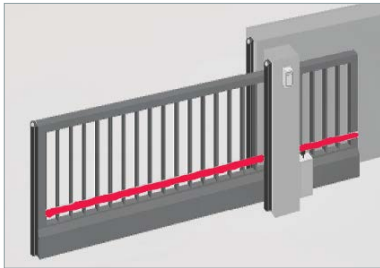
Phone: +49 731 2061-0

Fax: +49 731 2061-222

E-mail: info.ulm@mayser.com

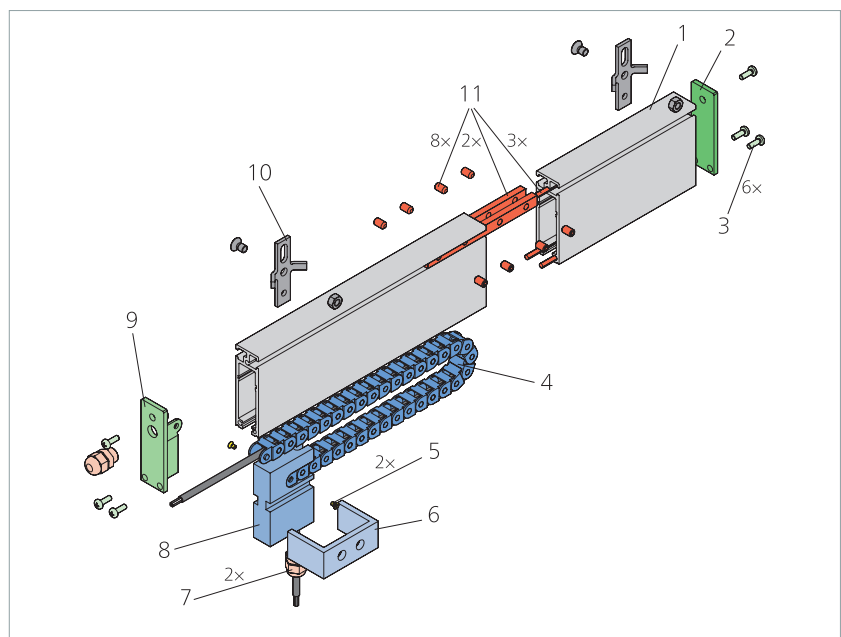
Internet: www.mayser.com

Areas of application



Signal transmission from pressure sensitive sensors to the drive control – this is the specialist area of the KLS 77 V2 cable conduit rail. It is found on vertical or horizontal moving doors and gates and on machines and equipment guided or moved in a straight line where closing edges are protected by pressure sensitive sensors. The KLS 77 V2 is therefore an important component for safety equipment on automated gates and machine parts. Simple, robust and safe.

System design

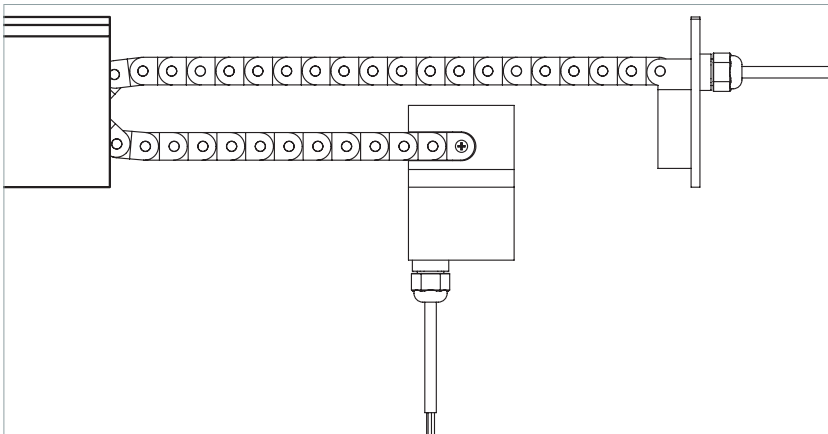


Pos.	Part No..	Designation	Comment
1	1003885	Conduit rail for KL 77 V2	Aluminium anodised
2	7501910	End cap, closed	POM, black
3	1004191	Fillister head self-tapping screw 4.8x13	for end caps
4	1004032	Sliding chain for KLS 77 V2	PA, wear-resistant
5	1004168	Countersunk screw 3x5	for fastening of sliding chain
6	1004136	Carrying fork for KLS 77 V2	Aluminium
7	1003748	Cable screw connection PG7	PA, black
8	7501873	Sliding carriage for KLS 77 V2	POM, black
9	7501874	End cap with cable exit	POM, black
10	7501663	Fastening parts for KLS 77 V2	incl. screw and hexagon nut
11	7501662	Profile connector kit for KLS 77 V2	for KLS 77 V2 > 6 m

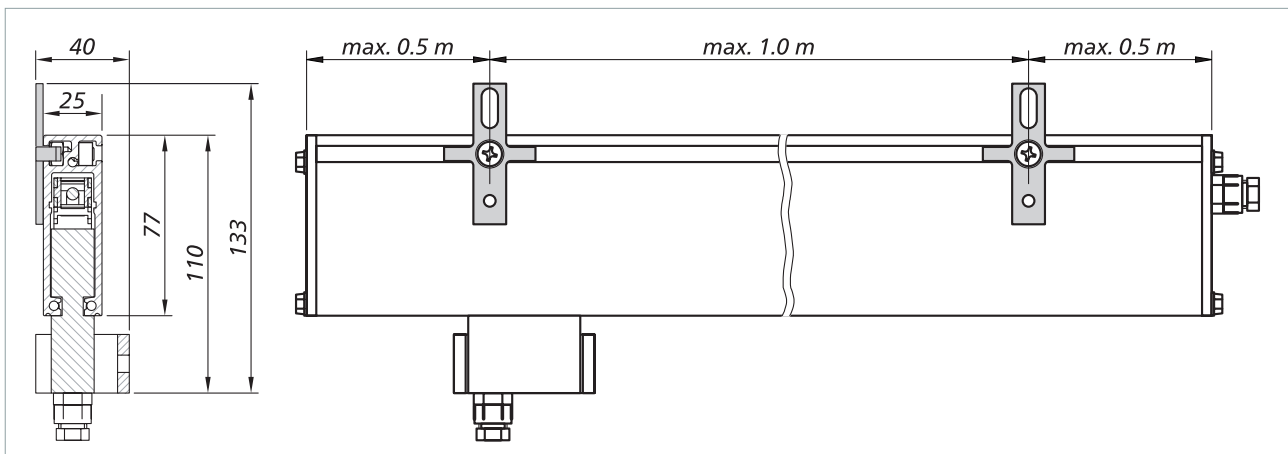
Accessories			
	1003900	Clamping profile for PG7	für 1x Kaweflex
		Replacement parts kit, assembled	Pos. 4 + 5 + 7 + 8 + 9 + Kabel

Operation

The cable which transmits the signal lies well protected in a wear-resistant sliding chain. Cable screw connections on the end cap and sliding carriage fix the cable. Guidance and protection of the sliding chain are provided by a robust aluminium profile. For simple connection, the KLS 77 V2 has a cable overhang of approx. 1 m (standard) on both sides.



Dimensions



Technical data

Cable	1× Chainflex round cable	1× Kaweflex ribbon cable	1× Chainflex round cable
Number of wires/ cross-section	4× 0.5 mm ² / Ø 5.5 mm	4× 0.25 mm ² / 6.8× 1.6 mm	8× 0.25 mm ² / Ø 6.5 mm
Operating voltage	max. 50 V AC / max. 120 V DC	max. 48 V AC/DC	max. 48 V AC/DC
Max. load (at +25 °C)	max. 5.0 A eff.	max. 1.5 A eff.	max. 1.5 A eff.
Temperature range	-30 to +70 °C		
Moving speed	40 m/min		
Runway lengths	1.0 m bis 11.8 m		
System lengths	Runway length + 200 mm		

At a glance

- Robust, simple, proven construction
- Space-saving geometry
- Quick and easy installation due to low number of components in modular form
- Maintenance-free
- Short envelope delay to meet the dynamic force and time parameters in accordance with EN 12453 and EN 12445